



MIG

产品目录 CATALOGUE

PRODUCTS

上海亿诺焊接科技股份有限公司

地址:上海市松江区车墩镇车阳路116号8号楼
电话:+86 (021) 54883220,34305197
传真:+86 (021) 54883224
网址:www.innoteccn.com
2024年8月制 亿诺第六版

Shanghai Innotec Welding Technology Co.,LTD.

Add:8th No.116 Cheyang Road,Songjiang District Shanghai
Tel:+86 (021) 54883220,34305197
Fax:+86 (021) 54883224
Web:www.innoteccn.com
Produced in August 2024, the sixth edition of Innoteccn



COMPANY INTRODUCTION

亿诺简介

上海亿诺焊接科技股份有限公司是一家专业提供高品质的MIG、TIG、PLASMA焊割炬、机器人焊枪、环保焊枪及设备，是集研发、生产和销售的专业焊割制造商及方案服务商。

公司成立于2006年，占地近30000平方，拥有各类机床300多台，其中200多台数控走心机和多台高精度加工中心，20多位专业焊接工程师，在2015年引进自动化生产线，并采用阿米巴管理模式，目前年生产能力已经达到250万把，亿诺出厂的每一把产品都会经过10多道专业检测以符合CCC和CE标准，保证产品质量。

亿诺每年投入大量资金用于技术研发。目前我们已经申请了100多项专利。焊割产品研发能力在中国焊接领域一直处于领先地位。

我们将坚持创新，同我们的商业伙伴携手共创价值。

Shanghai Innotec Welding Technology Co., Ltd. is a professional manufacturer and service provider specializing in research, production, and sales of MIG, TIG, Plasma welding and cutting torches, robotic guns, fume-extraction torches and machines.

Established in 2006, with an area coverage of 30,000 m², Innotec now has over 300 machine tools, including more than 200 numerical control lathes, and several high precision machining centers and over 20 specialized welding engineers. Introduction of automatic production lines of 2015 and adoption of an Amoeba management model enable us to reach a yearly production capacity of 2,500,000 pcs. Every piece of torch must pass over 10 testing processes to meet CCC and CE compliance and ensure the high quality.

Innotec invests 20% of its profits in research and development every year. Currently, we have applied for 100 utility patents. innotec maintains a leading position in research and development capabilities in the chinese welding sector.

We focus on innovating and creating value together with our business partners.



CERTIFICATES

企业资质



The articles stated in the present catalogue are subject to modifications or substitution without prior notice. The brand names and trademarks listed under in this catalogue are the registered trademarks of the proper owner and remain exclusive property of the respective owners.

The parts shown in this catalogues are not genuine parts of the respective trademark, they are interchangeable parts made to fit the original equipment. All the Reference codes are only for a convenient research.

本样本所涉及的产品可以由本公司进行修改或替换，本文中涉及到的下列品牌和商标是属于各注册人的专有财产。本样本中所涉及的产品并非原厂产品，而是适合原厂产品的可换配件，所有的参照号码仅用于方便搜索。

HYPERTHERM®=HP TWECO®=TW CEBORA®=CB ESAB®=ES
 PANASONIC®=PAN TRAFIMET®=TF BINZEL®=BZL SAF®=SF



EN 60974-7

CONTENTS

目录

14AK Torches	ES 305.....	36
TORCH 14AK分体式快插 (带气/无气)	ES 405.....	37
14AK Separated Cable Self-shielded		
14AK Separated Cable Aircooled.....		
01		
TORCH 14AK集成式 (带气/无气)	BND Torches/伯那德焊枪	
14AK Euroconnector Self-shielded	BND 200.....	38
14AK Euroconnector Aircooled.....	BND 300/350.....	39
02	BND 400.....	40
BZL Torches/欧式焊枪	TRG Torches/TRG焊枪	
TORCH 15 ECO.....	TRG 300.....	41
03	TRG 400.....	42
TORCH 15.....	TRG 500.....	43
04		
TORCH 24.....		
05		
TORCH 25.....	TW Torches/特威可式焊枪	
06	TW180.....	44
TORCH 26.....	TW200.....	45
07	TW300.....	46
TORCH 36.....	TW400.....	47
08	TW500.....	48
TORCH 40.....	SPY250.....	49
09	SPY350.....	50
TORCH 240.....	SPY450.....	51
10		
TORCH 400/500.....		
11		
TORCH 5000.....	Fume Extraction Torches/吸烟枪	
12	FE230.....	52
TORCH 600.....	FE340.....	53
13		
AUTO MIG 25.....		
14		
AUTO MIG 36.....	Spool Torches/拉丝枪	
15	LBT 150.....	54
AUTO MIG 240.....	LBT 240.....	55
16	LBT 250.....	56
AUTO MIG 500.....	LBT TW2.....	57
17	LBA 250.....	58
	LBA 300.....	58
Cardan Flexible Torches/万向柔性	Push pull wire welding Torches	
TORCH 15.....	推拉丝枪	
18	LPA 250.....	59
TORCH 25.....	LPA 300.....	59
19	LPW 401D.....	59
TORCH 24.....		
20		
TORCH 36.....	Spare Parts/配件	
21	Suitable For Fus/弗尼斯式配件.....	60
	Contact Tips/导电嘴.....	63
	Nozzles/喷嘴.....	65
	Diffusers And Tip Holders	
	分流器及导电嘴座.....	69
	Liners/送丝管.....	71
	Complete Cables/电缆组.....	74
	Central Adaptors/中央插头插座.....	75
Quick Replacement Torches/快换枪颈		
TORCH 15.....		
22		
TORCH 25.....		
23		
TORCH 24.....		
24		
TORCH 36.....		
25		
Super Maxi Torches /Maxi式焊枪		
SUPER MAXI 150.....		
26		
SUPER MAXI 250.....		
27		
SUPER MAXI 350.....		
28		
SUPER MAXI 450.....		
29		
SUPER MAXI 4000.....		
30		
Pan Torches/日式焊枪		
TORCH P180.....		
31		
TORCH P350.....		
32		
TORCH P500.....		
33		
ES Style Torches/ES 焊枪		
ES 160.....		
34		
ES 250.....		
35		

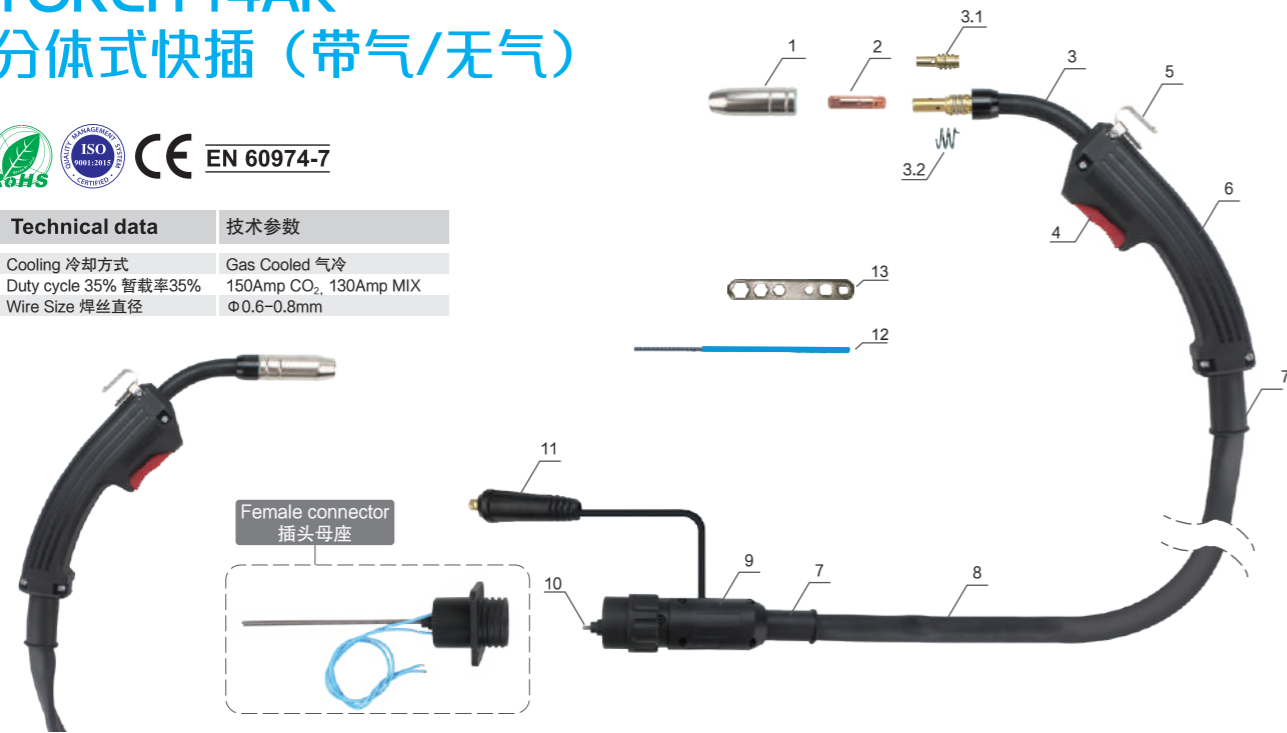
* USA TYPE TORCHES AND SUPER FLEX SILICON RUBBER CABLE ARE AVAILABLE UPON REQUEST

TORCH 14AK

分体式快插（带气/无气）



Technical data	技术参数
Cooling 冷却方式	Gas Cooled 气冷
Duty cycle 35% 暂载率35%	150Amp CO ₂ , 130Amp MIX
Wire Size 焊丝直径	Φ0.6-0.8mm



Position	Code	Ref.	Description
1	ICS0063-05	145.0075E	Gas nozzle Φ 12mm 14-15AK/0.8mm/brass/E;喷嘴 Φ 12mm 14-15AK/0.8mm/黄铜/E
2	ICU0056-08	140.0059E	Contact tip Φ 0.8mm/M6*25/E;导电嘴 Φ 0.8mm/M6*25/经济型
3	ICZ0002-20	MF0007-20	Torch head 45° /mini15/short brass adaptor/without valve/euro/E;枪头 45° /迷你小15/短铜适配块/无气阀/欧式/经济款
3.1	IZH0672	FB0127	Gas diffuser/mini15;分流器/迷你小15
3.2	IFT0808	002.0058	Nozzle spring 15AK;分流器弹簧 15AK
4	IHQ0260-01	BX0710-01	Trigger/mini15/2020;开关按键/迷你小15/2020款
5	IFT0971	EA0426	Hook up/mini15;挂钩/迷你小15
6	ICV0051-01	MP0056-01	Mini15 grip handle/Φ 12/L23.6/black/2020;迷你小15手柄/Φ 12/L23.6/黑色/2020款
7	IHJ0609	BW0104	Cable support/soft plastic;软塑料护套
8	ICN6778-19	MH1223-19	Cable assembling with gas tube 2.5M;电缆组/带气管/2.5米
9	IHJ0108	BW0603	Back box hole/mini15/nylon;后把套/迷你小15/尼龙
10	ITB0053	AR0058	Central adapter body/mini15/nylon/total;中央插头/迷你小15/尼龙/套
11	ISQ4070	CX9020	Plug trak sk 25/MINOO LOGO/E;经济型快速插头 trak sk 25/MINOO LOGO
12	IIC0643	GM0198	Brass liner Φ 1.4X3.4X4 L=0.15M;送丝管 Φ 1.4X3.4X4 L=0.15米
13	ICG6000	191.0001	Spanner for MIG/MIG 焊枪扳手

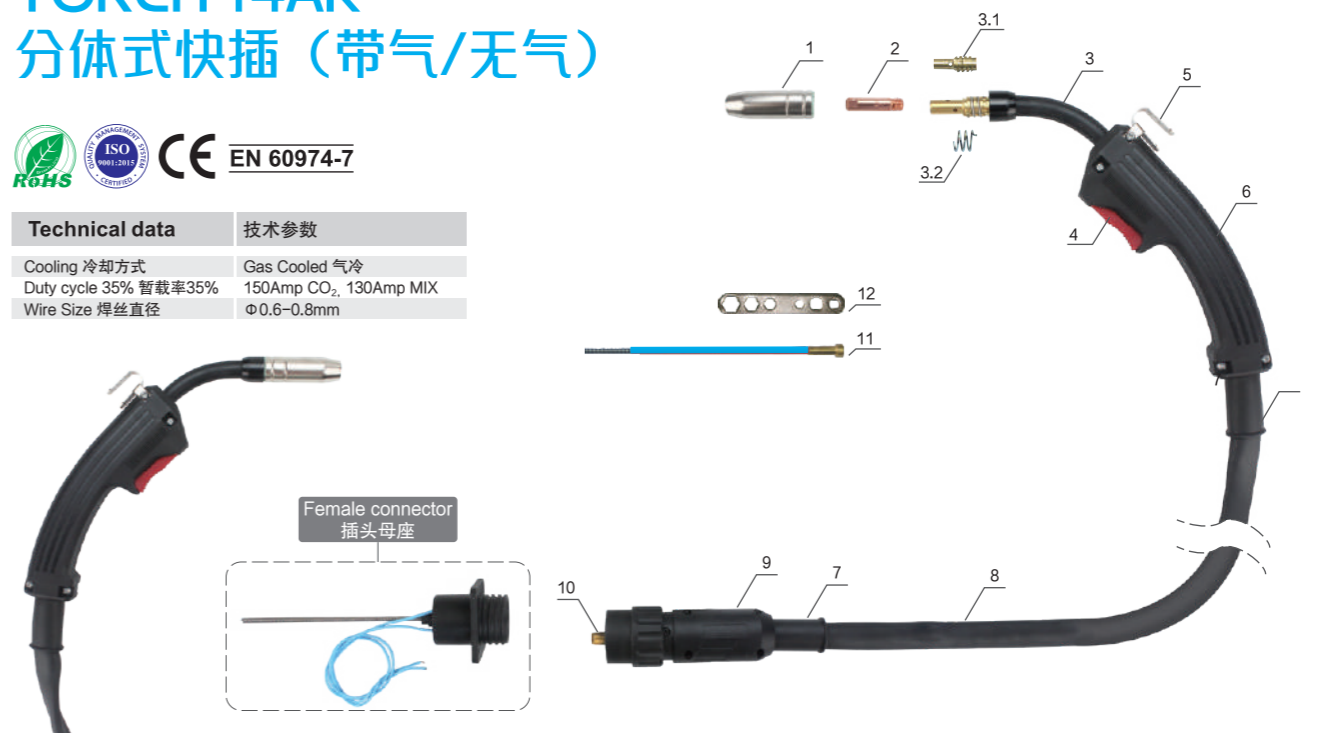
Complete Torch			
	ICT2046-15		MINI15 torch/2.5m/with gas tube/brass valve/separated/quick connector; 迷你小15枪/2.5米 带气管/铜阀/分体式快插
	ICT2146-15		MINI15 torch/2.5M/non gas tube/separated non quick connector; 迷你小15枪/2.5米/不带气管/分体式无快插
Female connector 插头母座	ITG0069-02		Plug socket/MINI15/nylon/total/with gas;插头母座/迷你小15/尼龙/带铜嵌件/套/带气
	ITG0069-03		Plug socket/MINI15/nylon/total/non gas;插头母座/迷你小15/尼龙/带铜嵌件/套/不带气

TORCH 14AK

分体式快插（带气/无气）



Technical data	技术参数
Cooling 冷却方式	Gas Cooled 气冷
Duty cycle 35% 暂载率35%	150Amp CO ₂ , 130Amp MIX
Wire Size 焊丝直径	Φ0.6-0.8mm



Position	Code	Ref.	Description
1	ICS0063-05	145.0075E	Gas nozzle Φ 12mm 14-15AK/0.8mm/brass/E;喷嘴 Φ 12mm 14-15AK/0.8mm/黄铜/E
2	ICU0056-08	140.0059E	Contact tip Φ 0.8mm/M6*25/E;导电嘴 Φ 0.8mm/M6*25/经济型
3	ICZ0002-15	MF0007-20	Torch head 45° /MINI15/short brass adapter/with valve/euro;枪头45° /迷你小15/短铜适配器/带气阀/欧式
3.1	IZH0672	FB0127	Gas diffuser/mini15;分流器/迷你小15
3.2	IFT0808	002.0058	Nozzle spring 15AK;分流器弹簧 15AK
4	IHQ0260-01	BX0710-01	Trigger/MINI15/2020;开关按键/迷你小15/2020款
5	IFT0971	EA0426	Hook up/MINI15;挂钩/迷你小15
6	ICV0051-01	MP0056-01	MINI15 grip handle/Φ 12/L23.6/black/2020;迷你小15手柄/Φ 12/L23.6/黑色/2020款
7	IHJ0609	BW0104	Cable support/soft plastic;软塑料护套
8	ICN6778-30	MH1223-30	Cable assembling with gas tube 2.5M;电缆组/带气管/2.5米/可更换送丝管
9	IHJ0108	BW0603	Back box hole/MINI15/nylon;后把套/迷你小15/尼龙
10	ITB0053-01	AR0058-01	Central adapter body/MINI15/nylon/total;中央插头/迷你小15/尼龙/带铜嵌件/套
11	IIC0880	GM0330	Brass liner Φ 0.4X3.4X1.4 L=2.6M;送丝管 Φ 0.4X3.4X1.4 L=2.6米
12	ICG6000	191.0001	Spanner for MIG/MIG 焊枪扳手

Complete Torch			
	ICT2046-30		MINI15 torch/2.5m/with gas tube/brass valve/replacable liner;迷你小15枪/2.5米 带气管/铜阀/可更换送丝管
	ICT2146-30		MINI15 torch/2.5M/non gas tube/replacable liner;迷你小15枪/2.5米/不带气管/可更换送丝管
Female connector 插头母座	ITG0064-01		Welder end/mini15/set/with gas;焊机端插座/迷你小15枪/套件/带气
	ITG0064-02		Welder end/mini15/set/non gas;焊机端插座/迷你小15枪/套件/不带气

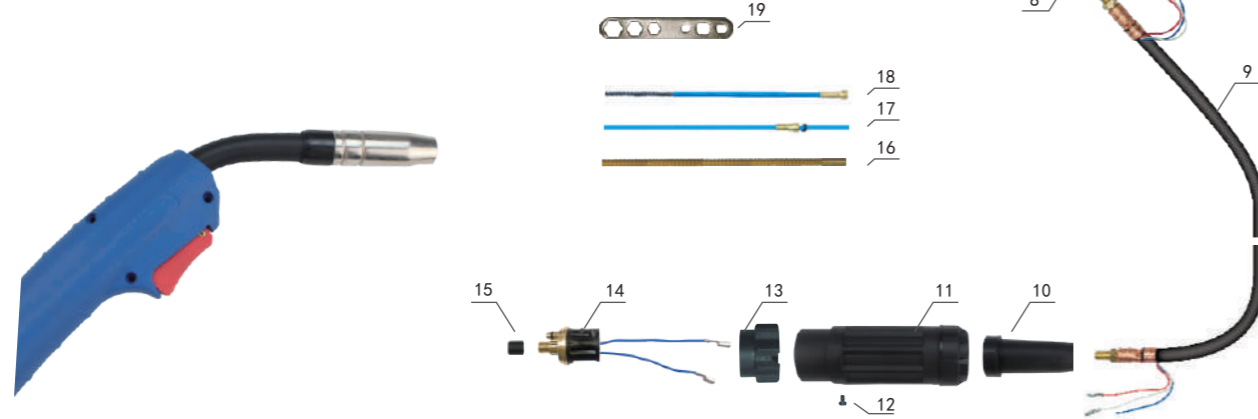
Note: About the registered trade mark, reference number of the model of the machine and spare parts, please see inner cover (company introduction)
注:关于注册商标、机器及配件的参考编号的注解,请见封面内页(公司简介)

Note: About the registered trade mark, reference number of the model of the machine and spare parts, please see inner cover (company introduction)
注:关于注册商标、机器及配件的参考编号的注解,请见封面内页(公司简介)

TORCH 15 ECO



Technical data	技术参数
Cooling 冷却方式	Gas Cooled 气冷
Duty cycle 35% 暂载率35%	160Amp CO ₂ , 130Amp MIX
Wire Size 焊丝直径	Φ0.6-1.0mm



Position	Code	Ref.	Description
1	ICS0063-05	145.0075E	Gas nozzle Φ12mm /brass;喷嘴 Φ12mm /黄铜
2	ICU0003-08	140.0059	Contact tip Φ0.8mm E-CU/M6 × 25;导电嘴 Φ0.8mm/M6 × 25
3	ICZ6087-02	MF1032-02	Torch head 15AK including fitting/thin;15AK 枪头(包括六角适配器和塑料适配器)/薄款
3.1	IZH0662	002.0078	Gas diffuser 15AK;分流器 15AK
3.2	IFT0808	002.0058	Spring 15AK;弹簧 15AK
3.3	IZH0667	400.0114	Hexagonal fitting;六角适配器
3.4	IHJ0030-01	400.1076	Plastic body/BZ;塑料适配器/BZ
4	ICV0798	MP0243	MIG grip handle blue/sol;MIG手柄 蓝色/sol
5	IHQ0070	185.0031	Trigger red;焊枪用开关 21.8MM 红色
6	IFT0874	EA0329	Screw D.3x10 UNI9707;螺丝 D.3x10
7	IHJ0715	BW0265	Closing ring/grip handle;手柄锁紧环
8	IHJ0782	BW0237	Joint for 15AK;电缆支撑用球节 15AK
9	ICN0686	160.0065	Coaxial cable 3M;同轴电缆组/3米
10	IHJ0028	BW0073	Front cable support 12-16-25 MMQ;电缆护套 12-16-25 MMQ
11	IHJ0645-01	501.2248	Back box hole/short;二氧化碳欧式后把套/短
12	IFT0092	04260.43	Screw M4x8;圆机螺丝 M4x8
13	IHJ0063	500.0213	Gun plug nut/plastic nut;焊枪锁紧螺母/塑料螺纹
14	ITB0052-02	501.0003	Euro central adapter body/spring pins/gas cooling/E;欧式中央接头/弹性针/气冷/筒易型/装枪用
15	IZT0071-01	501.0082	Liner nut/plastic;送丝管锁紧螺母/塑料
16	IIC0220	EMB7813	Brass liner Φ4.0X2.0mm 0.35m;铜送丝管 Φ4.0X2.0mm 0.35米
17	IIC0100	126.0005	Teflon liner Φ4.0 X 1.5mm 3m blue;特氟龙送丝管 Φ4.0 X 1.5mm 3米/蓝色
18	IIC0500	124.0011	Blue liner Φ0.6-0.8mm 3m blue;带绝缘层送丝管 Φ0.6-0.8mm 3米/蓝色
19	ICG6000	191.0001	Spanner for MIG;MIG 焊枪扳手

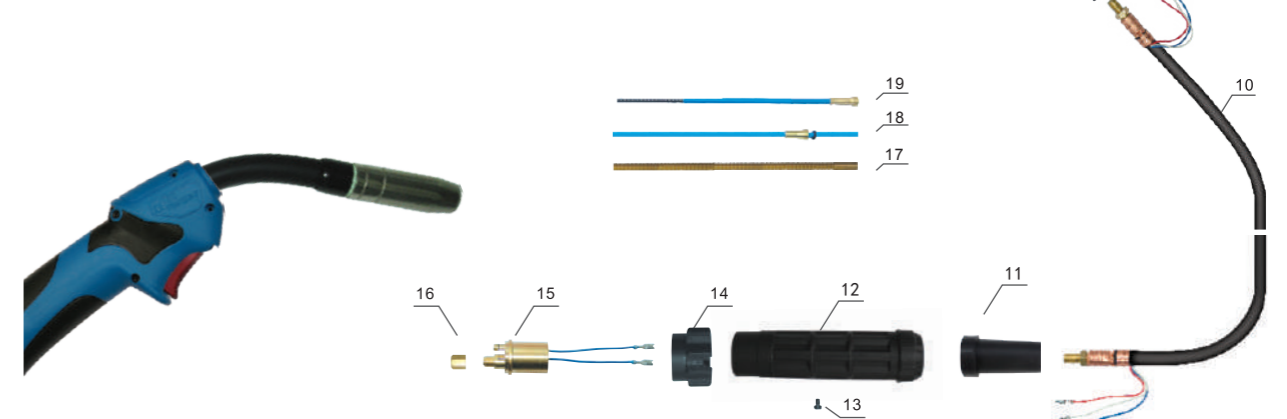
Complete Torch

ICT2080-01	MIG 15AK torch 3m with spring pins/E;焊枪15AK/3米/弹性针/ECO
ICT2086-01	MIG 15AK torch 4m with spring pins/E;焊枪15AK/4米/弹性针/ECO
ICT2087-01	MIG 15AK torch 5m with spring pins/E;焊枪15AK/5米/弹性针/ECO

TORCH 15



Technical data	技术参数
Cooling 冷却方式	Gas Cooled 气冷
Duty cycle 60% 暂载率60%	180Amp CO ₂ , 150Amp MIX
Wire Size 焊丝直径	Φ0.6-1.0mm



Position	Code	Ref.	Description
1	ICS0063	145.0075	Gas nozzle Φ12mm ;喷嘴 Φ12mm
2	ICU0003-08	140.0059	Contact tip Φ0.8mm E-CU/M6 × 25;导电嘴 Φ0.8mm/M6 × 25
3	ICZ0087	002.0009	Torch head 15AK /thin;15AK 枪头/薄款
3.1	IZH0662	002.0078	Gas diffuser 15AK;分流器 15AK
3.2	IFT0808	002.0058	Spring 15AK;弹簧 15AK
4	IZH0667	400.0114	Hexagonal fitting;六角适配器
5	IHJ0030-01	400.1076	Plastic body/BZ;塑料适配器/BZ
6	ICV0890-01	180.0076	MIG grip handle/blue body and black rubber/non logo;MIG蓝色手柄黑色橡胶/不带标记
7	IHQ0070	185.0031	Trigger red;焊枪用开关 21.8MM 红色
8	IFT0874	EA0329	Screw D.3x10 UNI9707;螺丝 D.3x10
9	IHJ0782	BW0237	Joint for 15AK;电缆支撑用球节 15AK
10	ICN0663	160.0065	Coaxial cable 3M;同轴电缆组/3米
11	IHJ0028	BW0073	Front cable support 12-16-25 MMQ;电缆护套 12-16-25 MMQ
12	IHJ0645-01	501.2248	Back box hole/short;二氧化碳欧式后把套/短
13	IFT0063	EA0018	Screw M4X6;螺丝 M4X6
14	IHJ0063	500.0213	Gun plug nut/plastic nut;焊枪锁紧螺母/塑料螺纹
15	ITB0059	501.2155	Euro central adaptor/spring pins;欧式中央接头/弹性针
16	IZT0071	501.0082	Liner nut;送丝管锁紧螺母
17	IIC0220	EMB7813	Brass liner Φ4.0X2.0mm 0.35m;铜送丝管 Φ4.0X2.0mm 0.35米
18	IIC0100	126.0005	Teflon liner Φ4.0 X 1.5mm 3m blue;特氟龙送丝管 Φ4.0 X 1.5mm 3米/蓝色
19	IIC0500	124.0011	Blue liner Φ0.6-0.8mm 3m blue;带绝缘层送丝管 Φ0.6-0.8mm 3米/蓝色
20	ICG6000	191.0001	Spanner for MIG;MIG 焊枪扳手

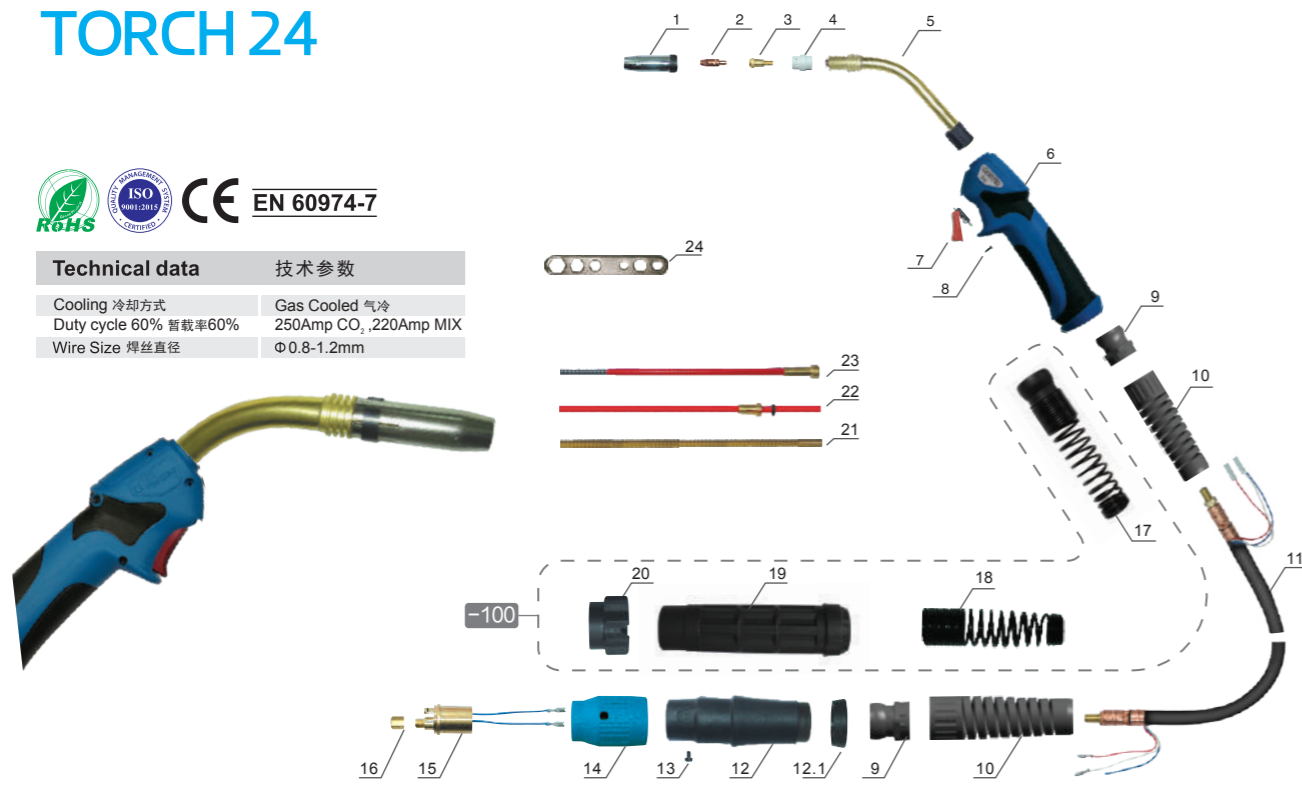
Complete Torch

ICT2098-63	MIG 15AK torch 3m with spring pins;焊枪15AK/3米/弹性针
ICT2099-63	MIG 15AK torch 4m with spring pins;焊枪15AK/4米/弹性针
ICT2095-63	MIG 15AK torch 5m with spring pins;焊枪15AK/5米/弹性针

TORCH 24



Technical data	技术参数
Cooling 冷却方式	Gas Cooled 气冷
Duty cycle 60% 暂载率60%	250Amp CO ₂ , 220Amp MIX
Wire Size 焊丝直径	Φ 0.8-1.2mm



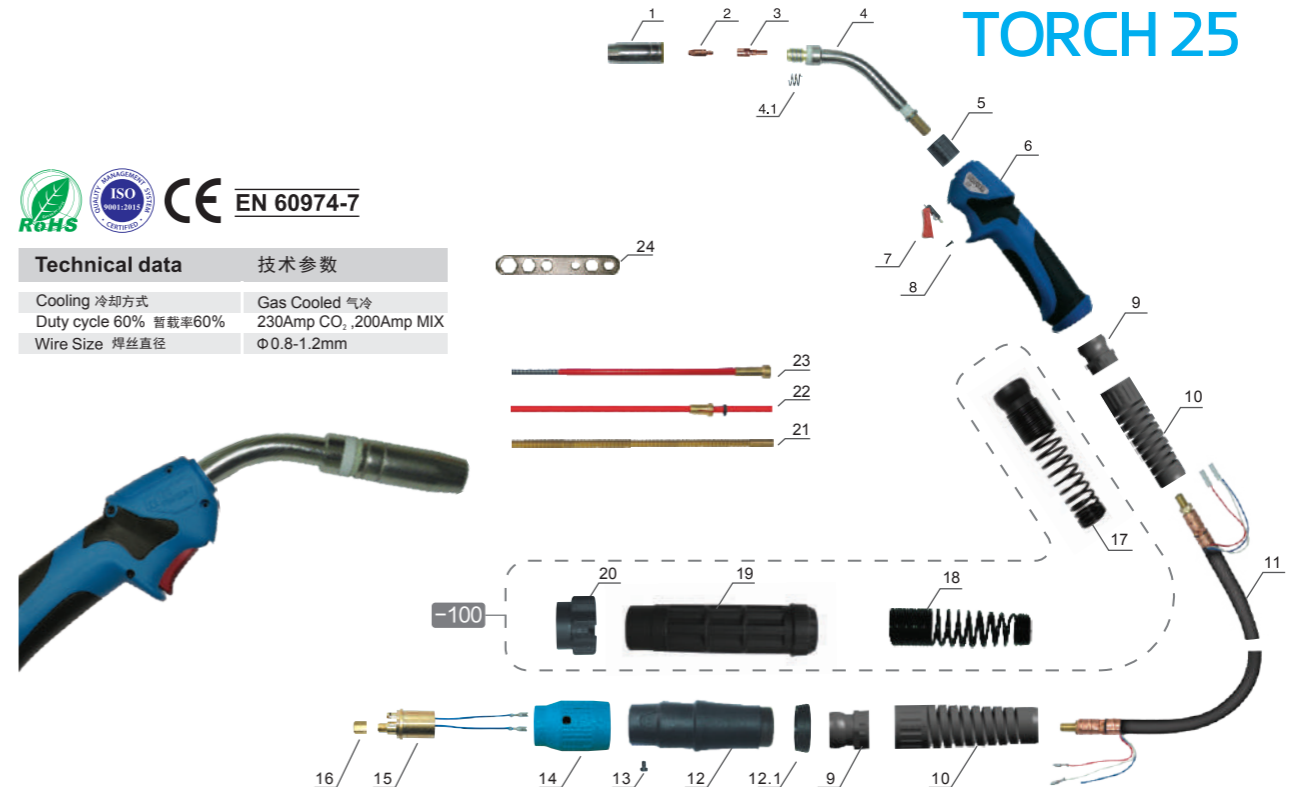
Position	Code	Ref.	Description
1	ICS0806	145.0080	Gas nozzle Φ 12.5mm 24KD;喷嘴 Φ 12.5mm 24KD
2	ICU0004-10	140.0242	Contact tip Φ 1.0mm E-CU/M6 × 28;导电嘴 Φ 1.0mm/M6 × 28
3	ICU0683	142.0003	Contact tip/holder 24KD M6 26MM;导电嘴座/24KD/M6/26MM
4	ICF0539	012.0183	White ceramic gas diffuser 24KD;白色陶瓷分流器 24KD
5	ICZ0630	012.0001	Torch head 24KD;枪颈 24KD
6	ICV0890-01	180.0076	MIG grip handle/blue body and black rubber/without logo;/MIG蓝色手柄黑色橡胶/不带标记
6.1	ICV0890	MP0340	MIG grip handle/blue body and black rubber/with innotec logo;/MIG蓝色手柄黑色橡胶/innotec标记
7	IHQ0070	185.0031	Trigger red;焊枪用开关 21.8MM 红色
8	IFT0874	EA0329	Screw D.3x10 UNI9707;螺丝 D.3x10
9	IHJ0021	BW0076	Ball joint;球节
10	IFT0882	400.1010	Spring/cable support/gas;电缆支撑用弹簧/空冷
11	ICN0664	160.0239	Coaxial cable 3M;同轴电缆组/3米
12	IHJ0703	BW0208	Back box hole;气冷枪后把套(新)
12.1	IHJ0715	BW0265	Closing ring/grip handle;手柄锁紧环
13	IFT0063	EA0018	Screw M4X6 UNI 6107;螺丝 M4X6 UNI 6107
14	IHJ0072	BW0027	Gun plug nut new blue;焊枪锁紧螺母(新) 蓝色
15	ITB0059	501.2155	Euro central adapter body/spring pins;欧式中央接头/弹性针
16	IZT0071	501.0082	Liner nut;送丝管锁紧螺母
17	IZH0864	FB0319	Joint with spring;带弹簧球节
18	IFT0897	500.0225	Spring/cable support/black;电缆支撑用弹簧/BLACK
19	IHJ0645	501.2248	Back box hole;二氧化碳欧式后把套
20	IHJ0070	BW0020	Gun plug nut;焊枪锁紧螺母/金属螺纹
21	IIC0220	EMB7813	Brass liner Φ 4.0X2.0mm 0.35m;铜送丝管 Φ 4.0X2.0mm 0.35米
22	IIC0160	126.0021	Teflon liner Φ 4.0 X 2.0mm 3m red;特氟龙送丝管 Φ 4.0 X 2.0mm 3米 红色
23	IIC0560	124.0026	Insulated steel liner Φ 1.0-1.2mm 3.4m red;带绝缘层送丝管 Φ 1.0-1.2mm 3.4米 红色
24	ICG6000	191.0001	Spanner for mig;MIG 焊枪扳手
Complete Torch			
	ICT2698-36		MIG 24KD torch 3m/euro adapter/spring pins;焊枪24KD/3米/欧式接头/弹性针
	ICT2699-36		MIG 24KD torch 4m/euro adapter/spring pins;焊枪24KD/4米/欧式接头/弹性针
	ICT2695-36		MIG 24KD torch 5m/euro adapter/spring pins;焊枪24KD/5米/欧式接头/弹性针
	ICT2698-100		MIG 24KD torch 3m with spring pins/innotec;焊枪24KD/3米/弹性针/innotec
	ICT2699-100		MIG 24KD torch 4m with spring pins/innotec;焊枪24KD/4米/弹性针/innotec
	ICT2695-100		MIG 24KD torch 5m with spring pins/innotec;焊枪24KD/5米/弹性针/innotec

Note: About the registered trade mark, reference number of the model of the machine and spare parts, please see inner cover (company introduction)
注:关于注册商标、机器及配件的参考编号的注解,请见封面内页(公司简介)

TORCH 25



Technical data	技术参数
Cooling 冷却方式	Gas Cooled 气冷
Duty cycle 60% 暂载率60%	230Amp CO ₂ , 200Amp MIX
Wire Size 焊丝直径	Φ 0.8-1.2mm



Position	Code	Ref.	Description
1	ICS0078	145.0100	Gas nozzle Φ 15mm 25AK;喷嘴 Φ 15mm 25AK
2	ICU0004-10	140.0242	contact tip Φ 1.0mm E-CU/M6 × 28;导电嘴 Φ 1.0mm/M6 × 28
3	ICF0061	142.0001	Gas diffuser M6/35MM/25AK;分流器 M6/35MM/25AK
4	ICZ0088	004.0012	Torch head 25AK;25AK 枪颈 Torch head 24KD;枪颈 24KD
4.1	IFT0809	003.0013	Nozzle spring 25AK;分流器弹簧 25AK Trigger red;焊枪用开关 21.8MM 红色
5	IHJ0030-01	400.1076	Plastic body/bz;塑料适配器/BZ
6	ICV0890-01	180.0076	MIG grip handle/blue body and black rubber/without logo;/MIG蓝色手柄黑色橡胶/不带标记
6.1	ICV0890	MP0340	MIG grip handle/blue body and black rubber/with innotec logo;/MIG蓝色手柄黑色橡胶/innotec标记
7	IHQ0070	185.0031	Trigger red;焊枪用开关 21.8MM 红色
8	IFT0874	EA0329	Screw D.3x10 UNI9707;螺丝 D.3x10
9	IHJ0021	BW0076	Ball joint;球节
10	IFT0882	400.1010	Spring/cable support/gas;电缆支撑用弹簧/空冷
11	ICN0664	160.0239	Coaxial cable 3M;同轴电缆组/3米
12	IHJ0703	BW0208	Back box hole;气冷枪后把套(新)
12.1	IHJ0715	BW0265	Closing ring/grip handle;手柄锁紧环
13	IFT0063	EA0018	Screw M4X6 UNI 6107;螺丝 M4X6 UNI 6107
14	IHJ0072	BW0027	Gun plug nut new blue;焊枪锁紧螺母(新) 蓝色
15	ITB0059	501.2155	Euro central adapter body/spring pins;欧式中央接头/弹性针
16	IZT0071	501.0082	Liner nut;送丝管锁紧螺母
17	IZH0864	FB0319	Joint with spring;带弹簧球节
18	IFT0897	500.0225	Spring/cable support/black;电缆支撑用弹簧/BLACK
19	IHJ0645	501.2248	Back box hole;二氧化碳欧式后把套
20	IHJ0070	BW0020	Gun plug nut;焊枪锁紧螺母/金属螺纹
21	IIC0220	EMB7813	Brass liner Φ 4.0X2.0mm 0.35m;铜送丝管 Φ 4.0X2.0mm 0.35米
22	IIC0160	126.0021	Teflon liner Φ 4.0 X 2.0mm 3m red;特氟龙送丝管 Φ 4.0 X 2.0mm 3米 红色
23	IIC0560	124.0026	Insulated steel liner Φ 1.0-1.2mm 3.4m red;带绝缘层送丝管 Φ 1.0-1.2mm 3.4米 红色
24	ICG6000	191.0001	Spanner for mig;MIG 焊枪扳手
Complete Torch			
	ICT2798-36		MIG 25AK torch 3m/euro adapter/spring pins;焊枪25AK/3米/欧式接头/弹性针
	ICT2799-36		MIG 25AK torch 4m/euro adapter/spring pins;焊枪25AK/4米/欧式接头/弹性针
	ICT2795-36		MIG 25AK torch 5m/euro adapter/spring pins;焊枪25AK/5米/欧式接头/弹性针
	ICT2798-100		MIG 25AK torch 3m with spring pins/innotec;焊枪25AK/3米/弹性针/innotec
	ICT2799-100		MIG 25AK torch 4m with spring pins/innotec;焊枪25AK/4米/弹性针/innotec
	ICT2795-100		MIG 25AK torch 5m with spring pins/innotec;焊枪25AK/5米/弹性针/innotec

Note: About the registered trade mark, reference number of the model of the machine and spare parts, please see inner cover (company introduction)
注:关于注册商标、机器及配件的参考编号的注解,请见封面内页(公司简介)

TORCH 26



Technical data		技术参数	
Cooling 冷却方式	Gas Cooled 气冷	Duty cycle 60% 暂载率60%	290Amp CO ₂ ,260Amp MIX
Wire Size 焊丝直径	φ 0.8-1.2mm		



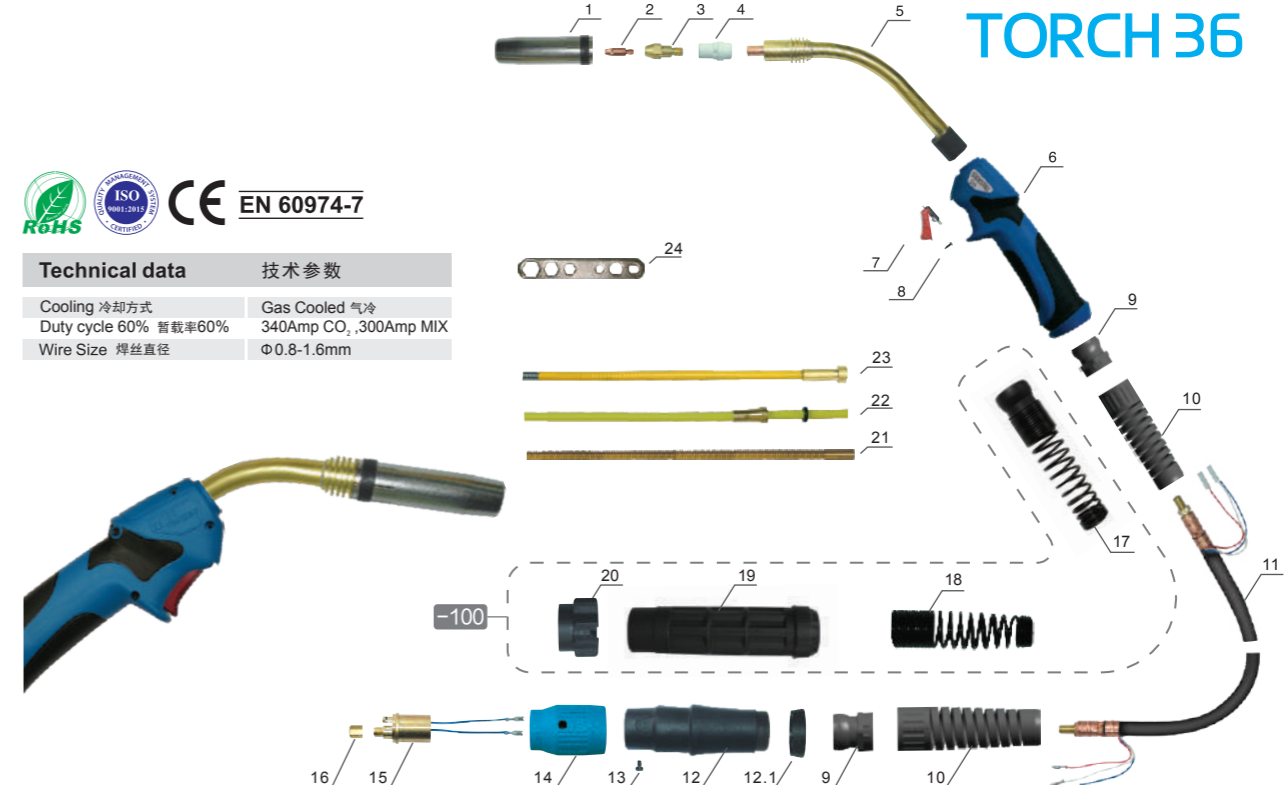
Position	Code	Ref.	Description
1	ICS0713	145.0085	Gas nozzle φ 16mm 401D-501D;喷嘴 φ 16mm 401D-501D
2	ICU0004-10	140.0242	contact tip φ 1.0mm E-CU/M6 × 28;导电嘴 φ 1.0mm/M6 × 28
3	ICU0016	142.0007	Contact tip/holder 26KD M6 22MM;导电嘴座/26KD/M6/22MM
4	ICF0535	018.0141	White ceramic gas diffuser 26KD;白色陶瓷分流器 26KD
5	ICZ0636	018.0001	Torch head 26KD;枪颈 26KD/不带塑料适配器
6	IHJ0030-01	400.1076	Plastic body/bz;塑料适配器/BZ
7	ICV0890-01	180.0076	MIG grip handle/blue body and black rubber/without logo;/MIG蓝色手柄黑色橡胶/不带标记
8	IHQ0070	185.0031	Trigger red;焊枪用开关 21.8MM 红色
9	IFT0874	EA0329	Screw D.3x10 UNI9707;螺丝 D.3x10
10	IHJ0021	BW0076	Ball joint;球节
11	IFT0882	400.1010	Spring/cable support/gas;电缆支撑用弹簧/空冷
12	ICN0696	160.0239	Coaxial cable 3M;同轴电缆组/3米
13	IHJ0703	BW0208	Back box hole;气冷枪后把套(新)
13.1	IHJ0715	BW0265	Closing ring/grip handle;手柄锁紧环
14	IFT0063	EA0018	Screw M4X6 UNI 6107;螺丝 M4X6 UNI 6107
15	IHJ0072	BW0027	Gun plug nut new blue;焊枪锁紧螺母(新) 蓝色
16	ITB0059	501.2155	Euro central adapter body/spring pins;欧式中央接头/弹性针
17	IZT0071	501.0082	Liner nut;送丝管锁紧螺母
18	IZH0864	FB0319	Joint with spring;带弹簧球节
19	IFT0897	500.0225	Spring/cable support/black;电缆支撑用弹簧/black
20	IHJ0645	501.2248	Back box hole;二氧化碳欧式后把套
21	IHJ0070	BW0020	Gun plug nut;焊枪锁紧螺母/金属螺纹
22	IIC0220	EMB7813	Brass liner φ 4.0X2.0mm 0.35M;铜送丝管 φ 4.0X2.0mm 0.35米
23	IIC0160	126.0021	Teflon liner φ 4.0 X 2.0mm 3M red;特氟龙送丝管 φ 4.0 X 2.0mm 3米 红色
24	IIC0560	124.0026	Insulated steel liner φ 1.0-1.2mm 3.4M/red;带绝缘层送丝管 φ 1.0-1.2mm 3.4米/红色
25	ICG6000	191.0001	Spanner for mig;MIG 焊枪扳手
Complete Torch			
	ICT2898-36		MIG 26KD torch 3m/euro adapter/spring pins ;焊枪26KD/3米/欧式接头/弹性针
	ICT2899-36		MIG 26KD torch 4m/euro adapter/spring pins;焊枪26KD/4米/欧式接头/弹性针
	ICT2895-36		MIG 26KD torch 5m/euro adapter/spring pins;焊枪26KD /5米/欧式接头/弹性针
	ICT2898-100		MIG 26KD torch 3m with spring pins/innotec;焊枪26KD /3米/弹性针/innotec
	ICT2899-100		MIG 26KD torch 4m with spring pins/innotec;焊枪26KD /4米/弹性针/innotec
	ICT2895-100		MIG 26KD torch 5m with spring pins/innotec;焊枪26KD /5米/弹性针/innotec

Note: About the registered trade mark, reference number of the model of the machine and spare parts, please see inner cover (company introduction)
注:关于注册商标、机器及配件的参考编号的注解,请见封面内页(公司简介)

TORCH 36



Technical data		技术参数	
Cooling 冷却方式	Gas Cooled 气冷	Duty cycle 60% 暂载率60%	340Amp CO ₂ ,300Amp MIX
Wire Size 焊丝直径	φ 0.8-1.6mm		



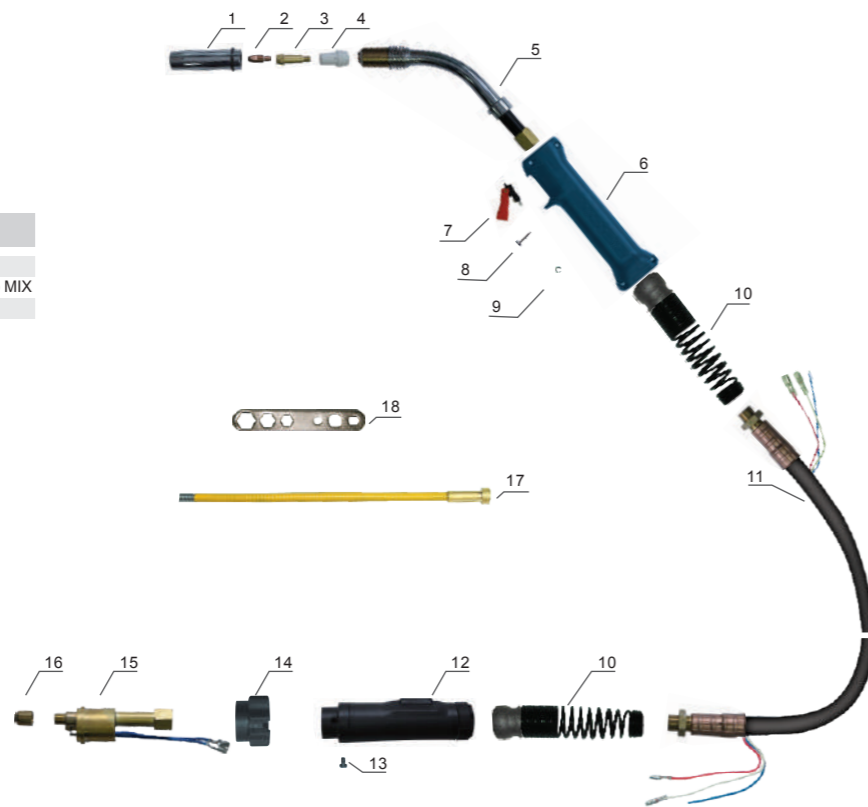
Position	Code	Ref.	Description
1	ICS0072	145.0078	Gas nozzle φ 16mm 36KD;喷嘴 φ 16mm 36KD
2	ICU0005-12	140.0442	Contact tip φ 1.2mm E-CU/M8 × 30;导电嘴 φ 1.2mm/M8 × 30
3	ICU0687	142.0011	Contact tip/holder 36KD M8 32MM;导电嘴座/36KD/M8/32MM
4	ICF0562	014.0023	White ceramic gas diffuser 36KD;白色陶瓷分流器 36KD
5	ICZ0089	014.0006	Torch head 36KD;36KD 枪颈
6	ICV0890-01	180.0076	MIG grip handle/blue body and black rubber/without logo;/MIG蓝色手柄黑色橡胶/不带标记
6.1	ICV0890	MP0340	MIG grip handle/blue body and black rubber/with innotec logo;/MIG蓝色手柄黑色橡胶/innotec标记
7	IHQ0070	185.0031	Trigger red;焊枪用开关 21.8MM 红色
8	IFT0874	EA0329	Screw D.3x10 UNI9707;螺丝 D.3x10
9	IHJ0021	BW0076	Ball joint;球节
10	IFT0882	400.1010	Spring/cable support/gas;电缆支撑用弹簧/空冷
11	ICN0670	160.0364	Coaxial cable 3M;同轴电缆组/3米
12	IHJ0703	BW0208	Back box hole;气冷枪后把套(新)
12.1	IHJ0715	BW0265	Closing ring/grip handle;手柄锁紧环
13	IFT0063	EA0018	Screw M4X6 UNI 6107;螺丝 M4X6 UNI 6107
14	IHJ0072	BW0027	Gun plug nut new blue;焊枪锁紧螺母(新) 蓝色
15	ITB0059	501.2155	Euro central adapter body/spring pins;欧式中央接头/弹性针
16	IZT0071	501.0082	Liner nut;送丝管锁紧螺母
17	IZH0864	FB0319	Joint with spring;带弹簧球节
18	IFT0897	500.0225	Spring/cable support/black;电缆支撑用弹簧/black
19	IHJ0645	501.2248	Back box hole;二氧化碳欧式后把套
20	IHJ0070	BW0020	Gun plug nut;焊枪锁紧螺母/金属螺纹
21	IIC0220	EMB7813	Brass liner φ 4.0X2.0mm 0.35M;铜送丝管 φ 4.0X2.0mm 0.35米
22	IIC0160	126.0039	Teflon liner φ 3.0X4.5mm 3M yellow;特氟龙送丝管 φ 3.0 X 4.5mm 3米 黄色
23	IIC0590	124.0041	Insulated steel liner φ 1.2-1.6mm 3M yellow;带绝缘层送丝管 φ 1.2-1.6mm 3米 黄色
24	ICG6000	191.0001	Spanner for mig;MIG 焊枪扳手
Complete Torch			
	ICT2998-36		MIG 36KD torch 3m/euro adapter/spring pins ;焊枪36KD/3米/欧式接头/弹性针
	ICT2999-36		MIG 36KD torch 4m/euro adapter/spring pins;焊枪36KD/4米/欧式接头/弹性针
	ICT2995-36		MIG 36KD torch 5m/euro adapter/spring pins;焊枪36KD /5米/欧式接头/弹性针
	ICT2998-100		MIG 36KD torch 3m with spring pins/innotec;焊枪36KD /3米/弹性针/innotec
	ICT2999-100		MIG 36KD torch 4m with spring pins/innotec;焊枪36KD /4米/弹性针/innotec
	ICT2995-100		MIG 36KD torch 5m with spring pins/innotec;焊枪36KD /5米/弹性针/innotec

Note: About the registered trade mark, reference number of the model of the machine and spare parts, please see inner cover (company introduction)
注:关于注册商标、机器及配件的参考编号的注解,请见封面内页(公司简介)

TORCH 40



Technical data	技术参数
Cooling 冷却方式	Gas Cooled 气冷
Duty cycle 60% 暂载率60%	380Amp CO ₂ , 360Amp MIX
Wire Size 焊丝直径	Φ 1.0-2.4mm



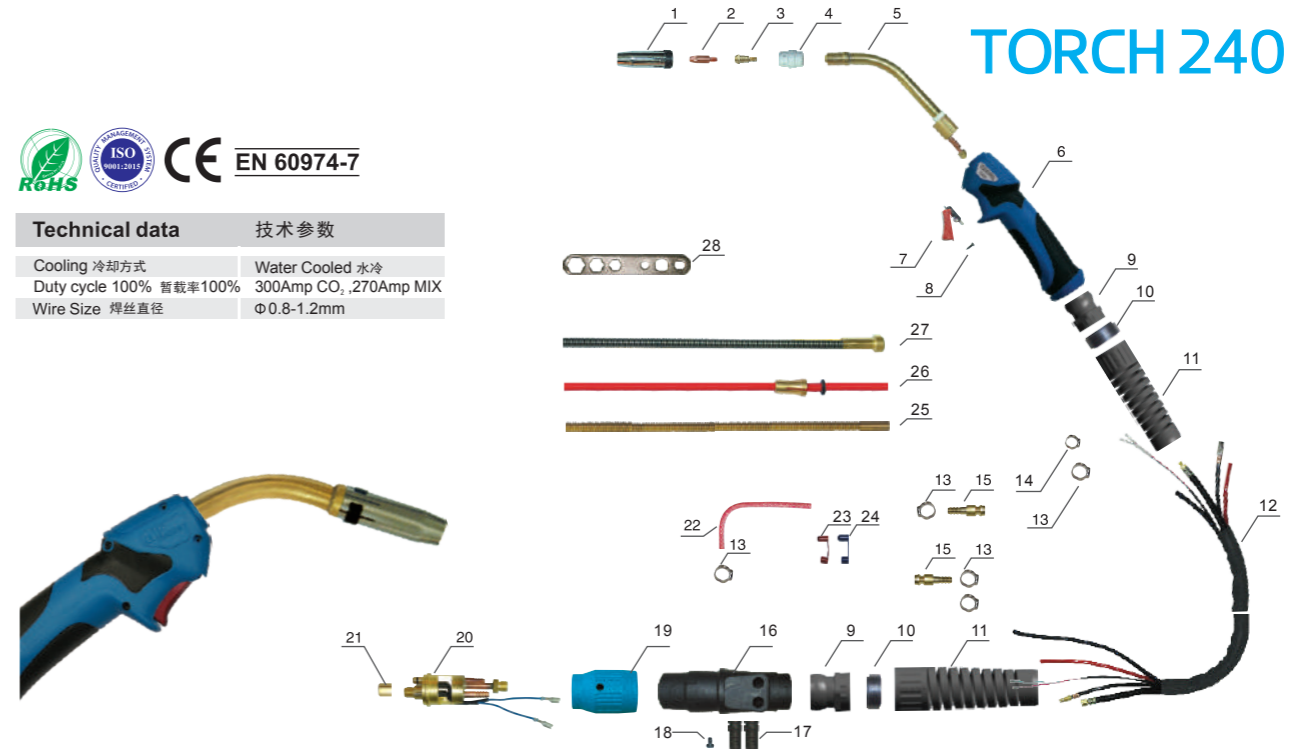
Position	Code	Ref.	Description
1	ICS0700	145.0079	Gas nozzle Φ 18mm 40KD; 喷嘴 Φ 18mm 40KD
2	ICU0005-16	140.0587	Contact tip Φ 1.6mm E-CU/M8x30; 导电嘴 Φ 1.6mm/M8x30
3	ICU0026	142.0021	Contact tip/holder 40KD/M8/43MM; 导电嘴座/40KD/M8/43MM
4	ICF0531	015.0023	White ceramic gas diffuser 40KD; 陶瓷分流器 40KD
5	ICZ0082	015.0001	Torch head 40KD 50°; 枪颈 40KD 50°
6	ICV0800	MP0300	MIG handle 40KD Blue; MIG手柄 40KD/蓝色
7	IHQ0070	185.0031	Trigger 21.8mm; 开关 21.8mm
8	IFT0078	EA0023	Screw M4x14; 螺丝 M4x14
9	IFT0020	04260.44	Nut M4 UNI 5587 (Sp 4); 六角螺母 M4
10	IZH0864	FB0319	Joint with spring; 带弹簧球节
11	ICN0619	MH0164	Coaxial cable 3m; 同轴电缆 3m
12	IHJ0713	BW0268	Back box for air cooling for ; 空冷枪后把套
13	IFT0063	EA0018	Screw M4x6 UNI 6107; 螺丝 M4x6 UNI 6107
14	IHJ0070	BW0020	Gun plug nut; 焊枪锁紧螺母
15	ITB0019	AR0064	Euro central adaptor body/40KD/spring pins/Adaptor nut; 欧式中央接头 40KD/弹性针
16	IZT0071	501.0082	Liner nut; 送丝管锁紧螺母
17	IIC0590	124.0041	Insulated steel liner 1.2-1.6/3m/Yellow; 带绝缘层送丝管1.2-1.6 3m/黄色
18	ICG6000	191.0001	Spanner for MIG torches; MIG 焊枪扳手
Complete Torch			
	ICT2198	015.0029	MIG 40KD torch 3m with /spring pins; 焊枪40KD/3米弹性针
	ICT2199	015.0032	MIG 40KD torch 4m with /spring pins; 焊枪40KD/4米弹性针
	ICT2195	015.0034	MIG 40KD torch 5m with /spring pins; 焊枪40KD/5米弹性针

Note: About the registered trade mark, reference number of the model of the machine and spare parts, please see inner cover (company introduction)
注: 关于注册商标、机器及配件的参考编号的注解, 请见封面内页 (公司简介)

TORCH 240



Technical data	技术参数
Cooling 冷却方式	Water Cooled 水冷
Duty cycle 100% 暂载率100%	300Amp CO ₂ , 270Amp MIX
Wire Size 焊丝直径	Φ 0.8-1.2mm



Position	Code	Ref.	Description
1	ICS0806	145.0080	Gas nozzle Φ 12.5mm; 喷嘴 Φ 12.5mm
2	ICU0004-10	140.0242	Contact tip Φ 1.0mm E-CU/M6 x 28; 导电嘴 Φ 1.0mm /M6 x 28
3	ICU0683	142.0003	Contact tip holder M6 x 26mm; 导电嘴座/M6 x 26mm
4	ICF0539	ME0584	White ceramic gas diffuser; 白色陶瓷分流器 24KD
5	ICI0091	023.0001	Torch head 240; 枪颈 240
6	ICV0890-01	180.0076	MIG handle Blue/Grip; MIG手柄/蓝色
7	IHQ0070	185.0031	Trigger; 焊枪用开关
8	IFT0874	EA0329	Screw M3x10; 螺丝 M3x10
9	IHJ0021	BW0076	Joint for MIG handle; MIG手柄用球头
10-1	IHJ0852	BW0357	Housing ring/big/inside; 锁紧内环/大
10-2	IHJ0855	BW0355	Housing for plasma back box/big; 等离子后把套用锁紧环/大
11	IFT0822	EA0377	Spring for cable support; 电缆支撑弹簧
12	ICD0067	MN0012	Cable assenby 3m 401D-501D; 水冷电缆组 3m/401D-501D
13	IFT0722	EA0277	Clamp Φ 9.0; 卡箍 Φ 9.0
14	IFT0730	EA0280	Clamp Φ 8.0; 卡箍 Φ 8.0
15	IZT8070-02	190.0099	Quick connector water Φ 6/APH; 水冷快速插头 Φ 6/APH
16	IHJ0763	BW0218	Back box for water cooled; 水冷枪后把套
17	IHJ0764	BW0219	Hose support for water cooled rear box; 水冷枪后把套用水管支柱
18	IFT0063	EA0018	Screw M4x6; 螺丝 M4x6
19	IHJ0072	BW0027	Adaptor nut/Blue; 焊枪锁紧螺母/蓝色
20	ITB0057	501.2156	Euro central adaptor body/water cooling; 欧式水冷中央接头/水冷
21	IZT0071	501.0082	Liner nut; 送丝管锁紧螺母
22	IKH0605	QB0105	Output water tube M5x8mm 0.8m Red; EPDM 编织管 M5x8mm 0.8m/红色
23	IHJ0306	BW0801	Plastic support for water cooling connector /Red; 水堵/红色
24	IHJ0308	BW0803	Plastic support for water cooling connector /Blue; 水堵/蓝色
25	IIC0220	EMB7813	Brass terminal Φ 2.0x4.0mm 0.35m; 铜送丝管 Φ 2.0x4.0mm/0.35m
26	IIC0160	126.0021	Teflon liner Φ 2.0x4.0mm 3m Red; 特氟龙管 Φ 2.0x4.0mm/3m/红色
27	IIC0571	122.0031	Steel liner Φ 1.0-1.2mm 3m; 钢送丝管 Φ 1.0-1.2mm/3m
28	ICG6000	191.0001	Spanner for MIG torches; MIG 焊枪扳手
Complete Torch			
	ICH2598-36		MIG 240 torch 3m euro adaptor/spring pins; 焊枪240/3米弹性针
	ICH2599-36		MIG 240 torch 4m euro adaptor/spring pins; 焊枪240/4米弹性针
	ICH2595-36		MIG 240 torch 5m euro adaptor/spring pins; 焊枪240/5米弹性针

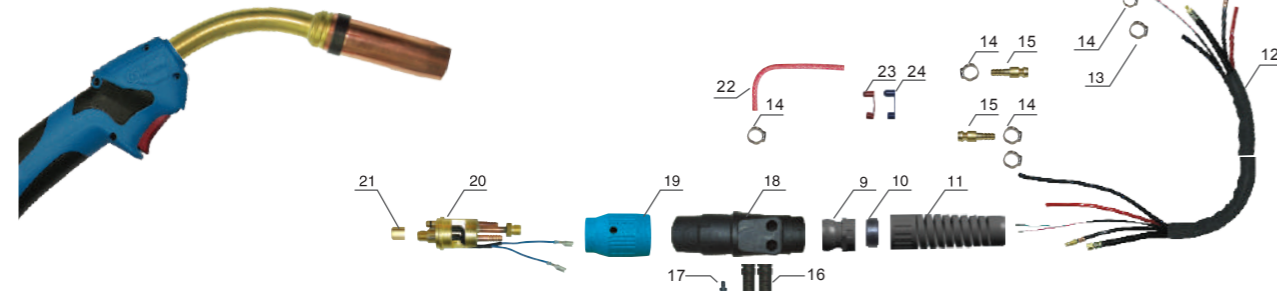
Note: About the registered trade mark, reference number of the model of the machine and spare parts, please see inner cover (company introduction)
注: 关于注册商标、机器及配件的参考编号的注解, 请见封面内页 (公司简介)

TORCH 400/500



Technical data 技术参数400	
Cooling 冷却方式	Water Cooled 水冷
Duty cycle 100% 暂载率100%	400Amp CO ₂ , 350Amp MIX
Wire Size 焊丝直径	Φ 0.8-1.2mm

Technical data 500 技术参数500	
Cooling 冷却方式	Water Cooled 水冷
Duty cycle 100% 暂载率100%	500Amp CO ₂ , 450Amp MIX
Wire Size 焊丝直径	Φ 1.0-1.6mm



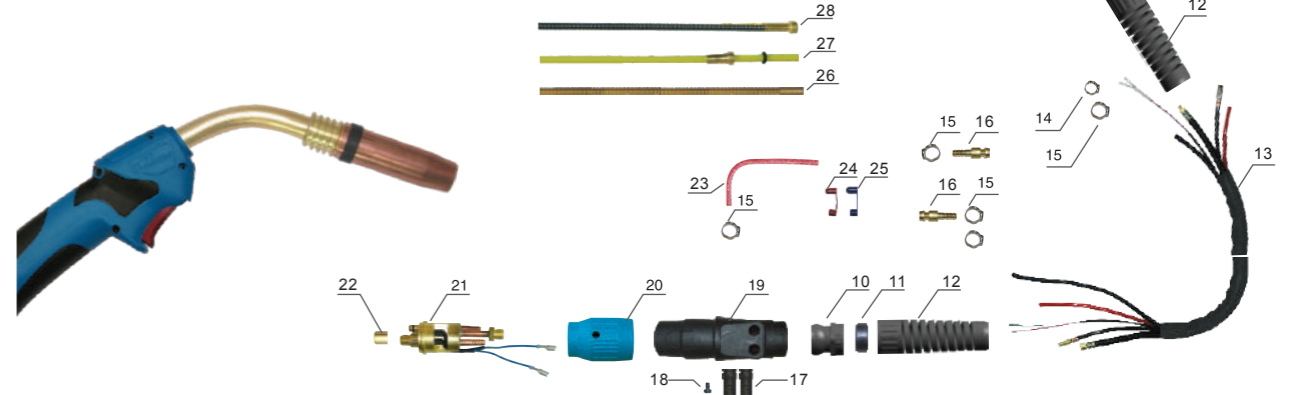
Position	Code	Ref.	Description
1	ICS0713	145.0085	Gas nozzle Φ 16mm;喷嘴 Φ 16mm
2	ICU0005-12	140.0442	Contact tip Φ 1.2mm E-CU/M8X30;导电嘴 Φ 1.2mm/M8X30
3	ICF0524	030.0190	White ceramic gas diffuser;白色陶瓷分流器 401D-501D
4	ICF0021	142.0022	Contact tip holder M8X25mm;导电嘴座/M8X25mm
5			Torch head;枪颈
5.1	ICI0055	034.0001	Torch head 501D;枪颈 501D
5.2	ICI0059	033.0001	Torch head 401D;枪颈 401D
6	ICV0890-01	180.0076	MIG handle Blue/Grip;MIG手柄/蓝色
7	IHQ0070	185.0031	Trigger;焊枪用开关
8	IFT0874	EA0329	Screw M3X10;螺丝 M3X10
9	IHJ0021	BW0076	Joint for MIG handle;MIG手柄用球头
10-1	IHJ0852	BW0357	Housing ring/big/inside;锁紧内环/大
10-2	IHJ0855	BW0355	Housing for plasma back box/big;等离子后把套用锁紧环/大
11	IFT0822	EA0377	Spring for cable support;电缆支撑弹簧
12	ICD0067	MN0012	Cable assenby 3m 401D-501D;水冷电缆组 3m/401D-501D
13	IFT0722	EA0277	Clamp Φ 9.0;卡箍 Φ 9.0
14	IFT0730	EA0280	Clamp Φ 8.0;卡箍 Φ 8.0
15	IZT8070-02	190.0099	Quick connector water Φ 6/APH;水冷快速插头 Φ 6/APH
16	IHJ0764	BW0219	Hose support for water cooled rear box;水冷枪后把套用水管支柱
17	IFT0063	EA0018	Screw M4X6;螺丝 M4X6
18	IHJ0763	BW0218	Back box for water cooled;水冷枪后把套
19	IHJ0072	BW0027	Adaptor nut/Blue;焊枪锁紧螺母/蓝色
20	ITB0057	501.2156	Euro central adaptor body/water cooling;欧式水冷中央接头/水冷
21	IZT0071	501.0082	Liner nut;送丝管锁紧螺母
22	IKH0605	QB0105	Output water tube M5X8mm 0.8m red;EPDM 编织管 M5x8mm 0.8m/红色
23	IHJ0306	BW0801	Plastic support for water cooling connector /Red;水堵/红色
24	IHJ0308	BW0803	Plastic support for water cooling connector /Blue;水堵/蓝色
25	IIC0226	EMB7814	Brass terminal Φ 3.0X4.5mm 0.35m;铜送丝管 Φ 3.0X4.5mm/0.35m
26	IIC0210	126.0039	Teflon liner Φ 3.0X4.5mm 3m Yellow;特氟龙管 Φ 3.0X4.5mm/3m/黄色
27	IIC0580	122.0056	Steel liner Φ 1.2-1.6mm 3m;钢送丝管 Φ 1.2-1.6mm/3m
28	ICG6000	191.0001	Spanner for MIG torches;MIG 焊枪扳手
29	IZH6723	030.0019	Insulator 401D-501D;绝缘垫片 401D-501D
Complete Torch			
	ICH2298-36		MIG 401D torch 3m euro adaptor/spring pins;焊枪401D/3米/弹性针
	ICH2299-36		MIG 401D torch 4m euro adaptor/spring pins;焊枪401D/4米/弹性针
	ICH2295-36		MIG 401D torch 5m euro adaptor/spring pins;焊枪401D/5米/弹性针
	ICH2398-36		MIG 501D torch 3m euro adaptor/spring pins;焊枪501D/3米/弹性针
	ICH2399-36		MIG 501D torch 4m euro adaptor/spring pins;焊枪501D/4米/弹性针
	ICH2395-36		MIG 501D torch 5m euro adaptor/spring pins;焊枪501D/5米/弹性针

Note: About the registered trade mark, reference number of the model of the machine and spare parts, please see inner cover (company introduction)
注:关于注册商标、机器及配件的参考编号的注解,请见封面内页(公司简介)

TORCH 5000



Technical data 技术参数	
Cooling 冷却方式	Water Cooled 水冷
Duty cycle 100% 暂载率100%	500Amp CO ₂ , 450Amp MIX
Wire Size 焊丝直径	Φ 0.8-1.6mm



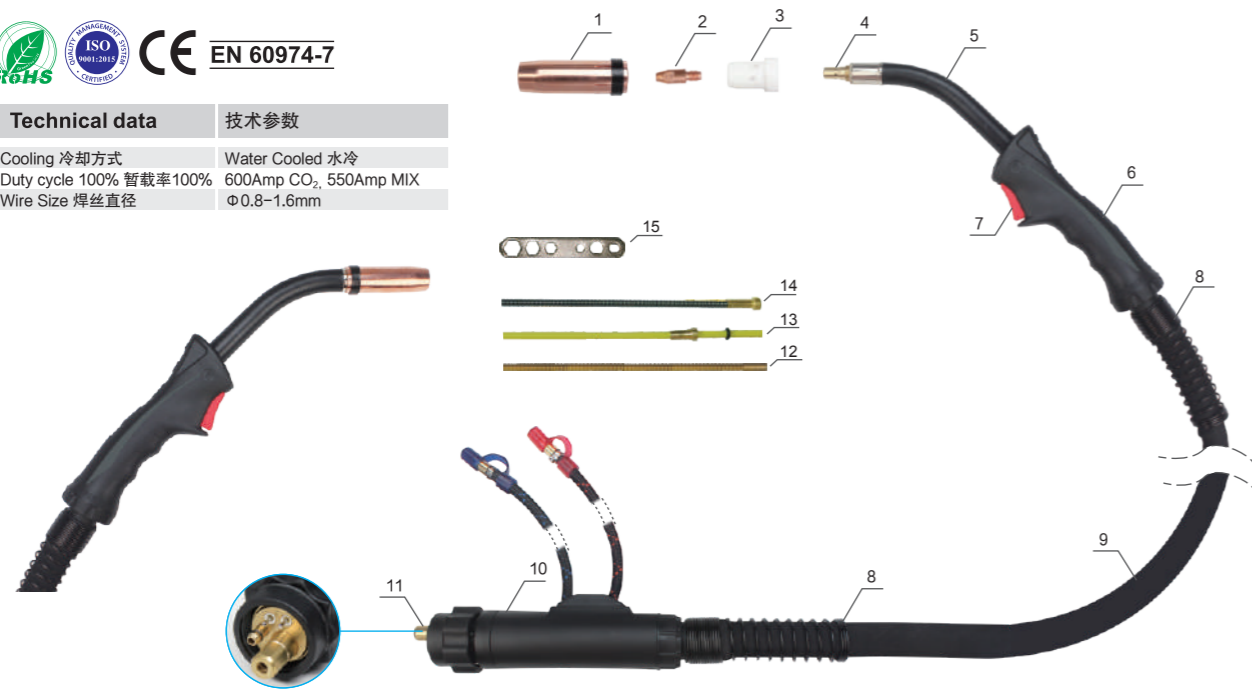
Position	Code	Ref.	Description
1	ICS0720	MC0270	Gas nozzle Φ 16mm;喷嘴 Φ 16mm
2	ICU0807-12	MD0302-12	Contact tip Φ 1.2mm E-CU/M10X40;导电嘴 Φ 1.2mm/M10X40
3	ICF0532	42.0100.1007	White ceramic gas diffuser;白色陶瓷分流器
4	ICF0003	42.0001.5122	Gas Diffuser;分流器
5	IZH1235	42.0100.1016	Insulator ring;绝缘环 5000
6	ICI0053	MG0058	Torch head 5000;枪颈 5000
7	ICV0890-01	180.0076	MIG handle Blue/Grip;MIG手柄/蓝色
8	IHQ0070	185.0031	Trigger;焊枪用开关
9	IFT0874	EA0329	Screw M3X10;螺丝 M3X10
10	IHJ0021	BW0076	Joint for MIG handle;MIG手柄用球头
11-1	IHJ0852	BW0357	Housing ring/big/inside;锁紧内环/大
11-2	IHJ0855	BW0355	Housing for plasma back box/big;等离子后把套用锁紧环/大
12	IFT0822	EA0377	Spring for cable support;电缆支撑弹簧
13	ICD0067	MN0012	Cable assenby 3m 401D-501D;水冷电缆组 3m/401D-501D
14	IFT0722	EA0277	Clamp Φ 9.0;卡箍 Φ 9.0
15	IFT0730	EA0280	Clamp Φ 8.0;卡箍 Φ 8.0
16	IZT8070-02	190.0099	Quick connector water Φ 6/APH;水冷快速插头 Φ 6/APH
17	IHJ0764	BW0219	Hose support for water cooled rear box;水冷枪后把套用水管支柱
18	IFT0063	EA0018	Screw M4X6;螺丝 M4X6
19	IHJ0763	BW0218	Back box for water cooled;水冷枪后把套
20	IHJ0072	BW0027	Adaptor nut/Blue;焊枪锁紧螺母/蓝色
21	ITB0057	501.2156	Euro central adaptor body/water cooling;欧式水冷中央接头/水冷
22	IZT0071	501.0082	Liner nut;送丝管锁紧螺母
23	IKH0605	QB0105	Output water tube M5X8mm 0.8m red;EPDM 编织管 M5x8mm 0.8m/红色
24	IHJ0306	BW0801	Plastic support for water cooling connector Red;水堵/红色
25	IHJ0308	BW0803	Plastic support for water cooling connector Blue;水堵/蓝色
26	IIC0226	EMB7814	Brass terminal Φ 3.0X4.5mm 0.35m;铜送丝管 Φ 3.0X4.5mm/0.35m
27	IIC0210	126.0039	Teflon liner Φ 3.0X4.5mm 3m Yellow;特氟龙管 Φ 3.0X4.5mm/3m/黄色
28	IIC0580	122.0056	Steel liner Φ 1.2-1.6mm 3m;钢送丝管 Φ 1.2-1.6mm/3m
29	ICG6000	191.0001	Spanner for MIG torches;MIG 焊枪扳手
Complete Torch			
	ICH2338-36		MIG 5000 torch 3m euro adaptor/spring pins;焊枪5000/3米/弹性针
	ICH2339-36		MIG 5000 torch 4m euro adaptor/spring pins;焊枪5000/4米/弹性针
	ICH2335-36		MIG 5000 torch 5m euro adaptor/spring pins;焊枪5000/5米/弹性针

Note: About the registered trade mark, reference number of the model of the machine and spare parts, please see inner cover (company introduction)
注:关于注册商标、机器及配件的参考编号的注解,请见封面内页(公司简介)

TORCH 600



Technical data	技术参数
Cooling 冷却方式	Water Cooled 水冷
Duty cycle 暂载率100%	600Amp CO ₂ , 550Amp MIX
Wire Size 焊丝直径	Φ0.8-1.6mm



Position	Code	Ref.	Description
1	ICS0713	145.0085	Gas nozzle Φ16mm;喷嘴 Φ16mm
2	ICU0005-12	140.0442	Contact tip Φ1.2mm E-CU/M8 × 30;导电嘴 Φ1.2mm/M8 × 30
3	ICF0524	030.0190	White ceramic gas diffuser 401D-501D;白色陶瓷分流器 401D-501D
4	ICF0021	142.0022	Contact tip holder M8 × 25mm;导电嘴座/M8 × 25MM
5	ICI0067	MG0012	Torch head/555SC;双水冷枪颈/555SC
6	ICV0044	MP0099	MIG grip handle/euro type/500HC/PA66+GF30%/black body/rubber RAL 5018/MINOO/2017; MIG欧式手柄/500HC/PA66+GF30%/主体黑色/橡胶 RAL 5018/米诺/2017款
7	IHQ0070	185.0031	Trigger red;焊枪用开关 21.8MM 红色
8	IFT0870	EA0320	Spring/cable support 401D-501D/black;电缆支撑用弹簧 401D-501D/黑色
9	ICD0018	MN0063	Cable assembly 3M;水冷电缆组/3米
10	IHJ0772	BW0227	Back box hole 14 for water cooling;水冷枪后把套 孔14
11	ITB0058	AR0053	Water euro central adapter body/spring pins/with nut;欧式水冷中央接头/弹性针/带螺母
12	IIC0226	EMB7814	Brass terminal Φ3.0X4.5mm 0.35m;铜送丝管 Φ3.0X4.5mm/0.35m
13	IIC0210	126.0039	Teflon liner Φ3.0X4.5mm/3m/yellow;特氟龙送丝管 Φ3.0 X 4.5mm/3米/黄色
14	IIC0580-02	GM0530-02	Steel liner Φ1.2-1.6mm/3.4m;钢送丝管 Φ1.2-1.6mm/3.4米/带接头
15	ICG6000	191.0001	Spanner for MIG;MIG 焊枪扳手

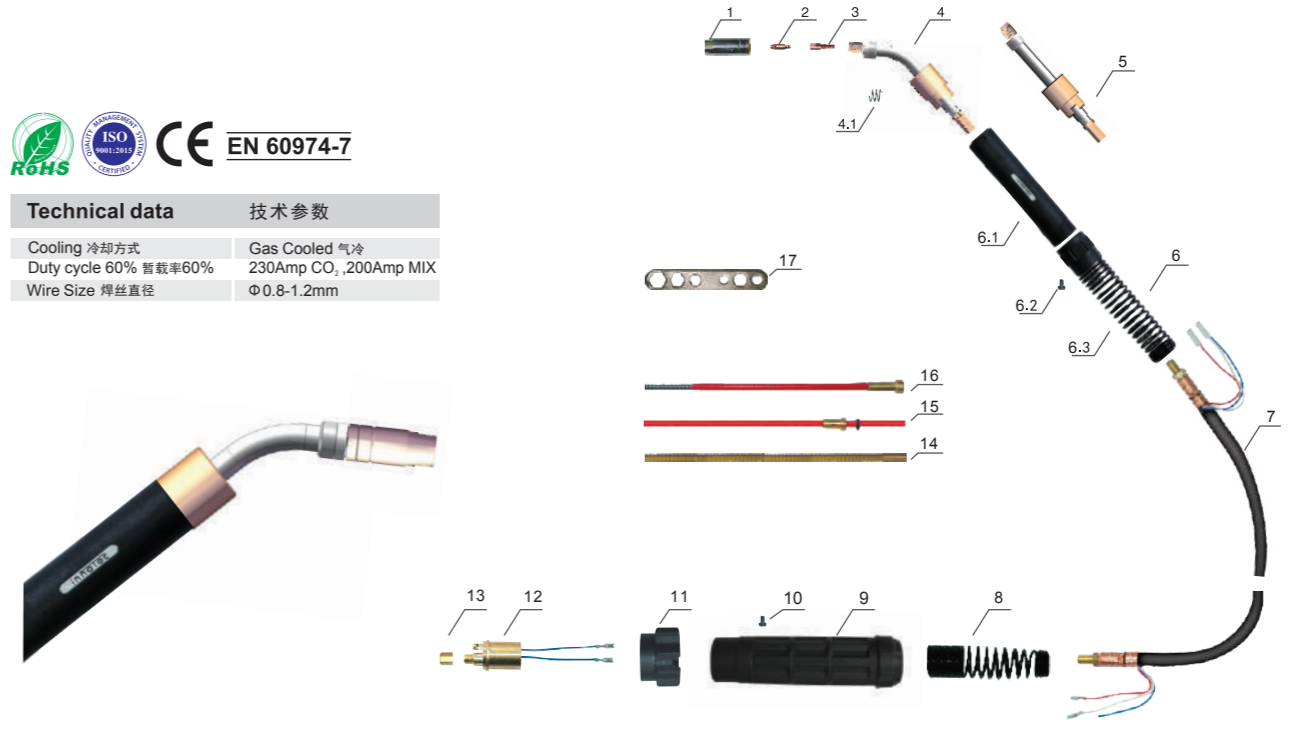
Complete Torch		
	ICH2698	MIG 600 torch 3m with spring pins;焊枪600/3米/弹性针
	ICH2699	MIG 600 torch 4m with spring pins;焊枪600/4米/弹性针
	ICH2695	MIG 600 torch 5m with spring pins;焊枪600/5米/弹性针

Note: About the registered trade mark, reference number of the model of the machine and spare parts, please see inner cover (company introduction)
注:关于注册商标、机器及配件的参考编号的注解,请见封面内页(公司简介)

AUTOMIG 25



Technical data	技术参数
Cooling 冷却方式	Gas Cooled 气冷
Duty cycle 暂载率60%	230Amp CO ₂ , 200Amp MIX
Wire Size 焊丝直径	Φ0.8-1.2mm



Position	Code	Ref.	Description
1	ICS0078	145.0100	Gas nozzle Φ15mm 25AK;喷嘴 Φ15mm 25AK
2	ICU0004-10	140.0242	Contact tip Φ1.0mm E-CU/M6 × 28;导电嘴 Φ1.0mm/M6 × 28
3	ICF0061	142.0001	Gas diffuser M6/35MM/25AK;分流器 M6/35MM/25AK
4	ICZ0780	904.0004	Torch head auto 25AK 45° ;自动枪头 25AK 45°
4.1	IFT0809	003.0013	Nozzle spring 25AK;分流器弹簧 25AK
5	ICZ0786	MF0231	Torch head auto 25AK 0° ;自动枪头 25AK 0°
6	ICV0671	MP0126	Handle complete plastic for automig torch;手柄套件MIG自动枪颈用
6.1	ICV0675	MP0125	Handle for automig torch;手柄 MIG自动枪颈用3件套
6.2	IFT0069	EA0014	Countersunk head screw M4X8 GB/T 68;沉头螺丝 M4X8 GB/T 68
6.3	IFT0898	EA0343	Spring/cable support for auto torch/black;自动枪用电缆支撑用弹簧/黑色
7	ICN0664	160.0239	Coaxial cable 3M;同轴电缆组/3米
8	IFT0897	500.0225	Spring/cable support/black;电缆支撑用弹簧/black
9	IHJ0645	501.2248	Back box hole;二氧化碳欧式后把套
10	IFT0063	EA0018	Screw M4X6 UNI 6107;螺丝 M4X6 UNI 6107
11	IHJ0070	BW0020	Gun plug nut;焊枪锁紧螺母/金属螺纹
12	ITB0059	501.2155	Euro central adapter body/spring pins;欧式中央接头/弹性针
13	IZT0071	501.0082	Liner nut;送丝管锁紧螺母
14	IIC0220	EMB7813	Brass liner Φ4.0X2.0mm 0.35m;铜送丝管 Φ4.0X2.0mm/ 0.35米
15	IIC0160	126.0021	Teflon liner Φ4.0 X 2.0mm 3M red;特氟龙送丝管Φ4.0 X 2.0mm 3米/红色
16	IIC0560	124.0026	Insulated steel liner Φ1.0-1.2mm 3.4M red;带绝缘层送丝管Φ1.0-1.2mm 3.4米/红色
17	ICG6000	191.0001	Spanner for MIG;MIG 焊枪扳手

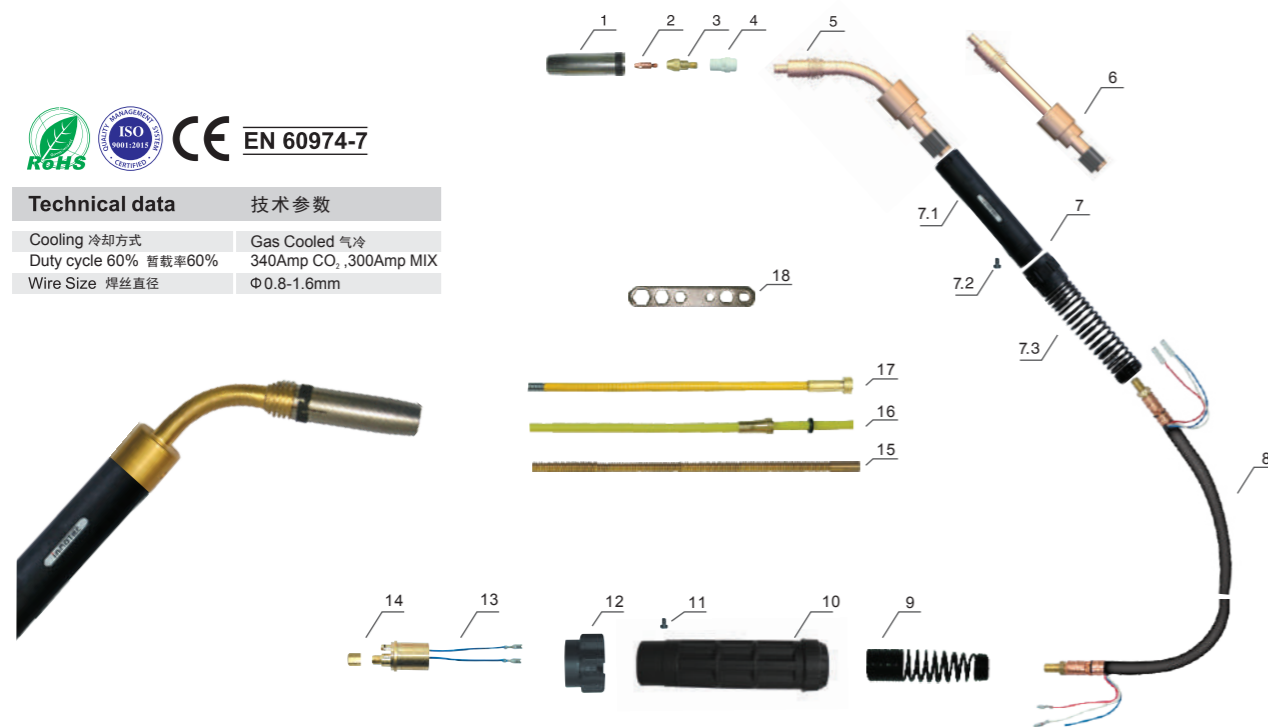
Complete Torch		
	ICT0515	Torch auto 25 3m euro direct;焊枪/自动25AK/欧式接口/直枪/3米
	ICT0517	Torch auto 25 3m with spring pins/45° ;焊枪/自动25AK/3米/弹性针/45°

Note: About the registered trade mark, reference number of the model of the machine and spare parts, please see inner cover (company introduction)
注:关于注册商标、机器及配件的参考编号的注解,请见封面内页(公司简介)

AUTO MIG 36



Technical data	技术参数
Cooling 冷却方式	Gas Cooled 气冷
Duty cycle 60% 暂载率60%	340Amp CO ₂ , 300Amp MIX
Wire Size 焊丝直径	Φ0.8-1.6mm

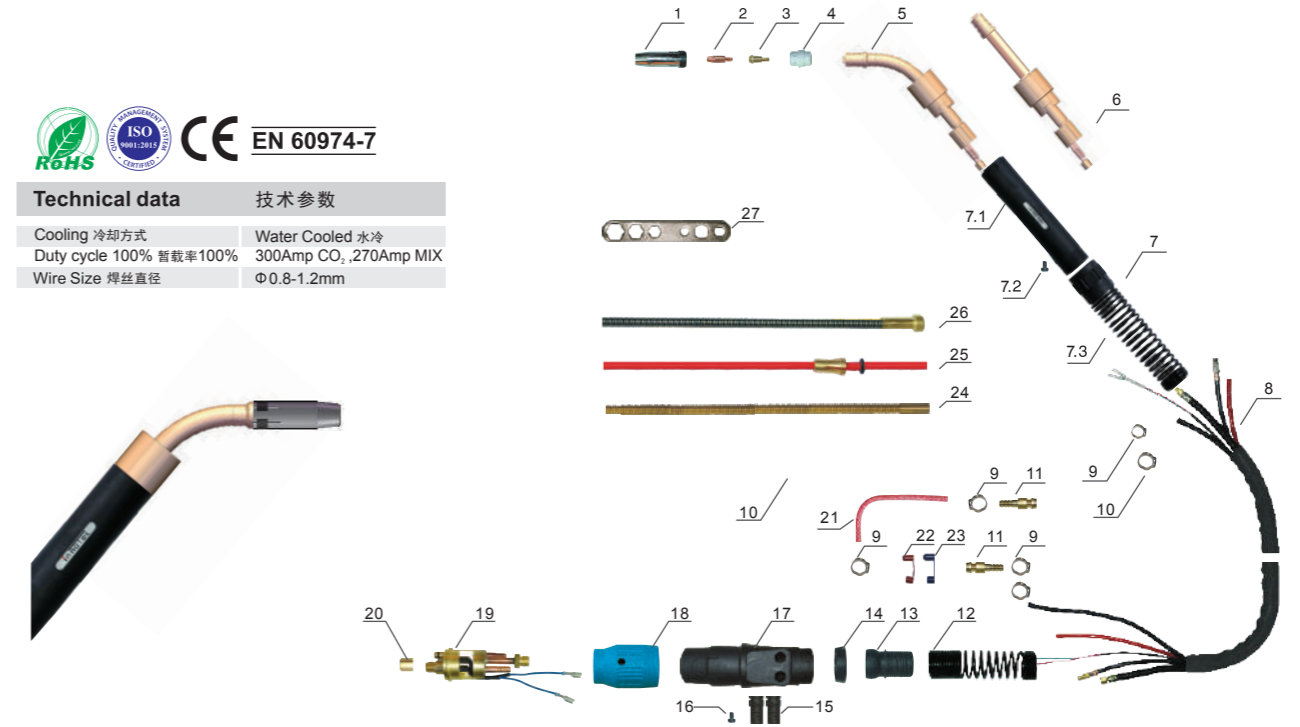


Position	Code	Ref.	Description
1	ICS0072	145.0078	Gas nozzle Φ 16mm; 喷嘴 Φ 16mm 36KD
2	ICU0004-12	140.0379	Contact tip Φ 1.2mm E-CU/M6x28; 导电嘴 Φ 1.2mm/M6x28
3	ICU0686	142.0011	Contact tip holder M6x32mm; 导电嘴座 36KD/M6x32mm
4	ICF0562	014.0023	White ceramic gas diffuser; 白色陶瓷分流器 36KD
5	ICZ0022	MF0077	Torch head auto 36KD 45°; 自动枪头 36KD 45°
6	ICZ0023	MF0078	Torch head auto 36KD 0°; 自动枪头 36KD 0°
7	ICV0671	MP0126	Handle for auto MIG torch; MIG自动枪头手柄套件
7.1	ICV0675	MP0125	Handle for auto MIG torch; 手柄MIG自动枪头用
7.2	IFT0069	EA0014	Screw M4x8; 螺丝 M4x8
7.3	IFT0898	EA0343	Spring for cable support; 电缆支撑弹簧
8	ICN0670	160.0364	Coaxial cable 3m; 同轴电缆组/3m
9	IFT0897	500.0225	Spring for cable support; 电缆支撑弹簧
10	IHJ0645	501.2248	Back box; 后把套
11	IFT0063	EA0018	Screw M4x6; 螺丝 M4x6
12	IHJ0070	BW0020	Adaptor nut/Blue; 焊枪锁紧螺母
13	ITB0059	501.2155	Euro central adaptor body/air cooling; 欧式中央接头/空冷
14	IZT0071	501.0082	Liner nut; 送丝管锁紧螺母
15	IIC0226	EMB7814	Brass terminal Φ 3.0x4.5mm 0.35m; 铜送丝管 Φ 3.0x4.5mm/0.35m
16	IIC0210	126.0039	Teflon liner Φ 3.0x4.5mm 3m Yellow; 特氟龙管 Φ 3.0x4.5mm/3m/黄色
17	IIC0590	124.0041	Yellow liner Φ 1.2-1.6mm 3m; 带绝缘层送丝管 Φ 1.2-1.6mm/3m/黄色
18	ICG6000	191.0001	Spanner for MIG torches; MIG 焊枪扳手
Complete Torch			
	ICT0522		Torch auto MIG 36KD 0° 3m euro adaptor/spring pins; 自动焊枪 36KD/0°/3米弹性针
	ICT0529		Torch auto MIG 36KD 45° 3m euro adaptor/spring pins; 自动焊枪 36KD/45°/3米弹性针

AUTO MIG 240



Technical data	技术参数
Cooling 冷却方式	Water Cooled 水冷
Duty cycle 100% 暂载率100%	300Amp CO ₂ , 270Amp MIX
Wire Size 焊丝直径	Φ 0.8-1.2mm

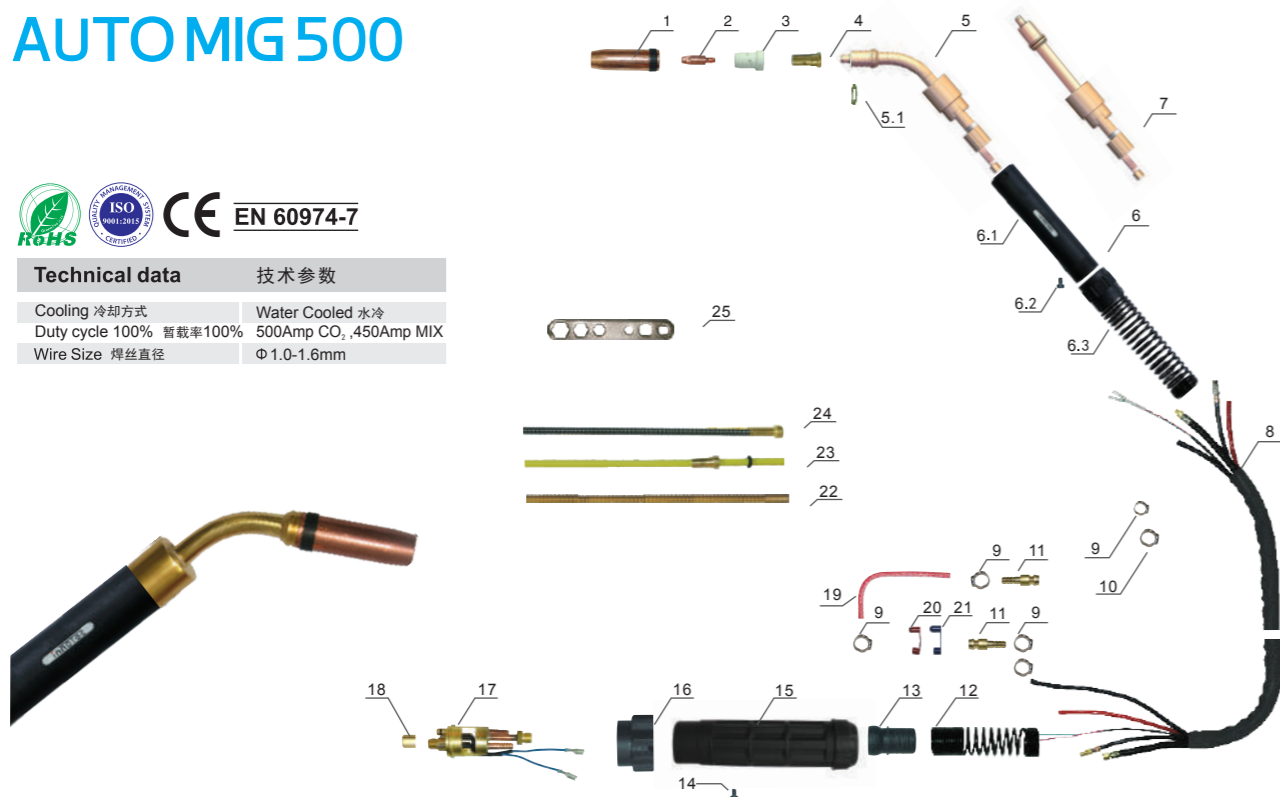


Position	Code	Ref.	Description
1	ICS0806	145.0080	Gas nozzle Φ 12.5mm; 喷嘴 Φ 12.5mm
2	ICU0004-10	140.0242	Contact tip Φ 1.0mm E-CU/M6 x 28; 导电嘴 Φ 1.0mm/M6 x 28
3	ICU0683	MD0138	Contact tip holder 24KD M6 26MM; 导电嘴座/24KD/M6/26MM
4	ICF0539	ME0584	White ceramic gas diffuser; 白色陶瓷分流器 24KD
5	ICI0036	MG0081	Torch Head auto 240 45°; 自动枪头 240 45°
6	ICI0037	MG0082	Torch head auto 240 0°; 自动枪头 240 0°
7	ICV0671	MP0126	Spring cable support for torch auto; 自动枪用电缆支撑用弹簧
7.1	ICV0675	MP0125	Handle for auto MIG torch; 手柄MIG自动枪头用
7.2	IFT0069	EA0014	Screw M4x8; 螺丝 M4x8
7.3	IFT0898	EA0343	Spring for cable support; 电缆支撑弹簧
8	ICD0067	MN0012	Cable assembly 3m 401D-501D; 水冷电缆组 3m 401D-501D
9	IFT0730	EA0280	Clamp Φ 8MM; 卡箍 Φ 8MM
10	IFT0722	EA0277	Clamp Φ 9MM; 卡箍 Φ 9MM
11	IZT8070-02	FA3020-02	Quick connector water Φ 6/APH; 水冷快速插头 Φ 6/APH
12	IFT0870	EA0320	Spring cable support 401D-501D; 电缆支撑用弹簧 401D-501D
13	IHJ0777	BW0222	Joint for MIG handle; MIG 手柄用球头
14	IHJ0715	BW0265	Handle closing ring; 手柄锁紧环
15	IHJ0764	BW0219	Hose support for water cooled rear box; 水冷枪后把套用水管支柱
16	IFT0063	EA0018	Screw M4x6; 螺丝 M4x6
17	IHJ0763	BW0218	Back box for water cooled; 水冷枪后把套
18	IHJ0072	BW0217	Adaptor nut/Blue; 焊枪锁紧螺母/蓝色
19	ITB0057	501.2156	Euro central adaptor body/water cooling; 欧式水冷中央接头/水冷
20	IZT0071	501.0082	Liner nut; 送丝管锁紧螺母
21	IKH0605	QB0105	Output water tube M5x8mm 0.8m red; EPDM 编织管 M5x8mm 0.8m/红色
22	IHJ0306	BW0801	Plastic support for water cooling connector /red; 水堵/红色
23	IHJ0308	BW0803	Plastic support for water cooling connector /blue; 水堵/蓝色
24	IIC0220	EMB7813	Brass terminal Φ 2.0x4.0mm 0.35m; 铜送丝管 Φ 2.0x4.0mm/0.35m
25	IIC0160	126.0005	Teflon liner Φ 2.0x4.0mm 3m Red; 特氟龙管 Φ 2.0x4.0mm/3m/红色
26	IIC0571	122.0031	Steel liner Φ 1.0-1.2mm 3m; 钢送丝管 Φ 1.0-1.2mm/3m
27	ICG6000	191.0001	Spanner for MIG torches; MIG 焊枪扳手
Complete Torch			
	ICH0179		Torch auto MIG 240 0° 3m euro adaptor/spring pins; 自动焊枪 240 0°/3米弹性针
	ICH0176		Torch auto MIG 240 45° 3m euro adaptor/spring pins; 自动焊枪 240 45°/3米弹性针

AUTO MIG 500



Technical data	技术参数
Cooling 冷却方式	Water Cooled 水冷
Duty cycle 100% 暂载率100%	500Amp CO ₂ , 450Amp MIX
Wire Size 焊丝直径	Φ1.0-1.6mm



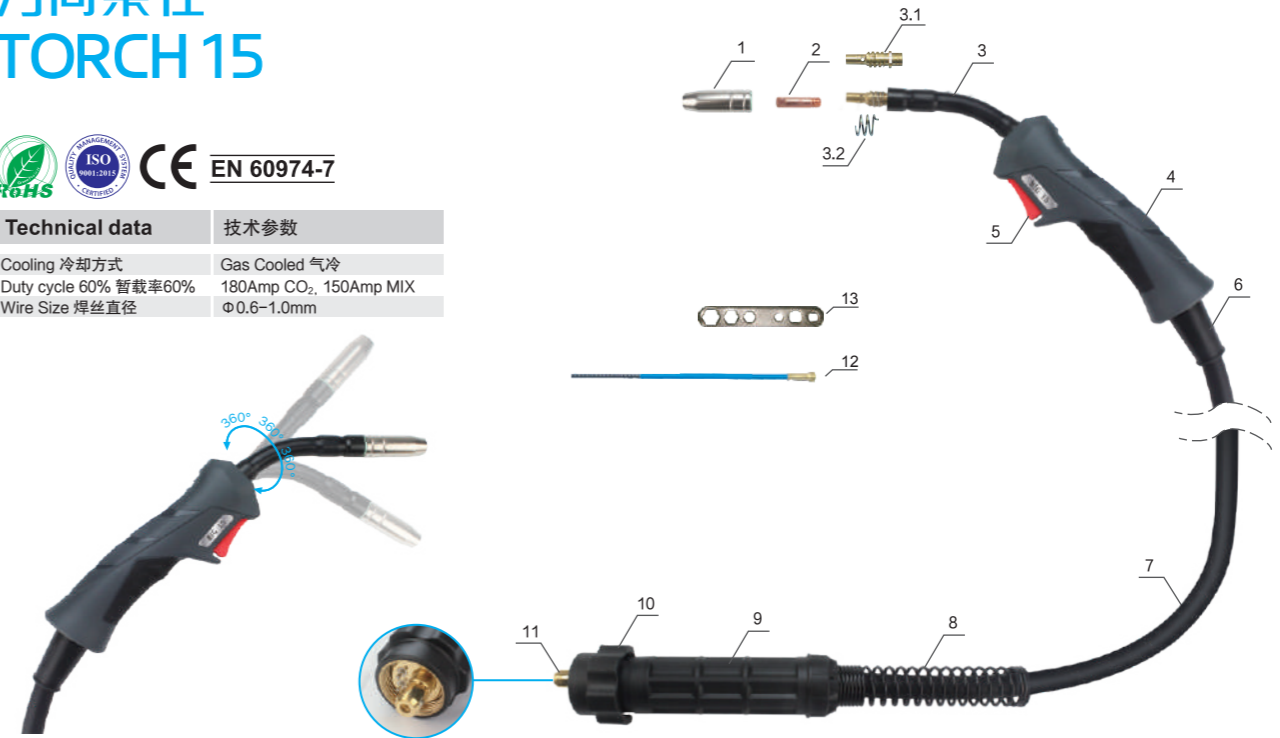
Position	Code	Ref.	Description
1	ICS0713	145.0085	Gas nozzle Φ16mm; 喷嘴 Φ16mm 401D-501D
2	ICU0005-12	140.0442	Contact tip Φ 1.2mm E-CU/M8x30; 导电嘴 Φ 1.2mm/M8x30
3	ICF0524	030.0190	White ceramic gas diffuser; 白色陶瓷分流器 401D-501D
4	ICF0021	142.0022	Contact tip holder M8x25mm; 导电嘴座 M8x25mm 401D-501D
5	ICI0016	MG0061	Torch Head auto 501D 45°; 自动枪头 501D 45°
5.1	IZH6723	030.0019	Insulator 401D-501D; 绝缘垫片 401D-501D
6	ICV0671	MP0126	Handle for auto MIG torch; MIG自动枪柄手柄
6.1	ICV0675	MP0125	Handle for auto MIG torch; 手柄MIG自动枪柄用
6.2	IFT0069	EA0014	Screw M4x8; 螺丝 M4x8
6.3	IFT0898	EA0343	Spring for cable support; 电缆支撑弹簧
7	ICI0017	MG0062	Torch Head auto 501D 0°; 自动枪头 501D 0°
8	ICD0067	MN0012	Cable assembly 3m 401D-501D; 水冷电缆组 3m 401D-501D
9	IFT0730	EA0280	Clamp Φ8MM; 卡箍 Φ8MM
10	IFT0722	EA0277	Clamp Φ9MM; 卡箍 Φ9MM
11	IZT8070-02	190.0099	Quick connector water Φ6/APH; 水冷快速插头 Φ6/APH
12	IFT0870	EA0320	Spring cable support 401D-501D; 电缆支撑用弹簧 401D-501D
13	IHJ0777	BW0222	Joint for MIG handle; MIG手柄用球头
14	IFT0063	EA0018	Screw M4x6; 螺丝 M4x6
15	IHJ0772	BW0227	Back box for water cooled; 水冷枪后把套
16	IHJ0070	226	Adaptor nut; 焊枪锁紧螺母
17	ITB0057	501.2156	Euro central adaptor body/water cooling; 欧式水冷中央接头/水冷
18	IZT0071	501.0082	Liner nut; 送丝管锁紧螺母
19	IKH0605	QB0105	Output water tube M5x8mm 0.8m red; EPDM 编织管 M5x8mm 0.8m
20	IHJ0306	BW0801	Plastic support for water cooling connector /red; 水堵/红色
21	IHJ0308	BW0803	Plastic support for water cooling connector/ blue; 水堵/蓝色 /红色
22	IIC0226	EMB7814	Brass terminal Φ 3.0x4.5mm 0.35m; 铜送丝管 Φ 3.0x4.5mm/0.35m
23	IIC0210	126.0039	Teflon liner Φ 3.0x4.5mm 3m Yellow; 特氟龙管 Φ 3.0x4.5mm/3m/黄色
24	IIC0580	122.0056	Steel liner Φ 1.2-1.6mm 3m; 钢送丝管 Φ 1.2-1.6mm/3m
25	ICG6000	191.0001	Spanner for MIG torches; MIG焊枪扳手
Complete Torch			
ICH0515	Torch auto MIG501D 0°3m euro adaptor/spring pins; 自动焊枪501D 0°/3米/弹性针		
ICH0511	Torch auto MIG501D 0°4m euro adaptor/spring pins; 自动焊枪501D 0°/4米/弹性针		
ICH0512	Torch auto MIG501D 0°5m euro adaptor/spring pins; 自动焊枪501D 0°/5米/弹性针		
ICH0517	Torch auto MIG501D 45°3m euro adaptor/spring pins; 自动焊枪501D 45°/3米/弹性针		
ICH0518	Torch auto MIG501D 45°4m euro adaptor/spring pins; 自动焊枪501D 45°/4米/弹性针		
ICH0519	Torch auto MIG501D 45°5m euro adaptor/spring pins; 自动焊枪501D 45°/5米/弹性针		

Note: About the registered trade mark, reference number of the model of the machine and spare parts, please see inner cover (company introduction)
注: 关于注册商标、机器及配件的参考编号的注解, 请见封面内页 (公司简介)

万向柔性 TORCH 15



Technical data	技术参数
Cooling 冷却方式	Gas Cooled 气冷
Duty cycle 60% 暂载率60%	180Amp CO ₂ , 150Amp MIX
Wire Size 焊丝直径	Φ0.6-1.0mm



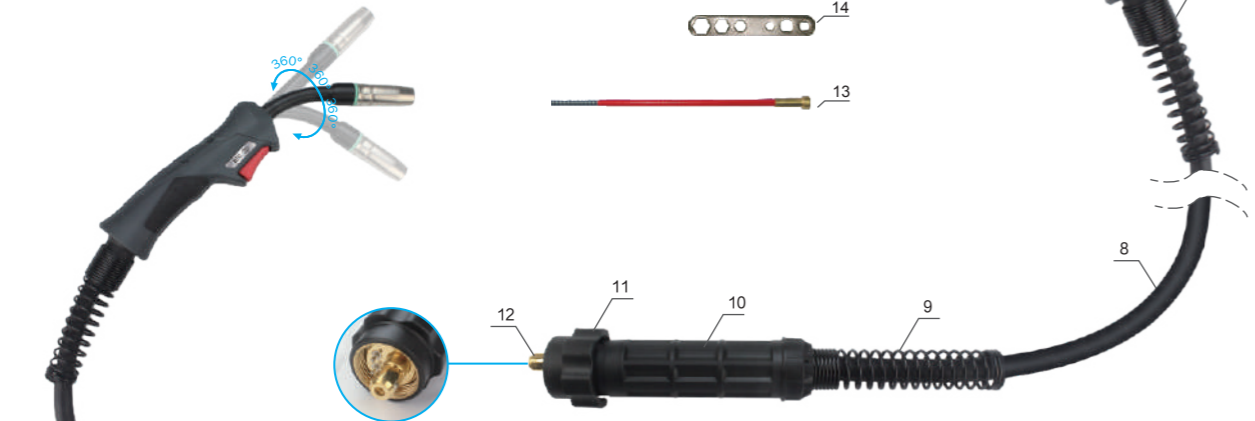
Position	Code	Ref.	Description
1	ICS0063	145.0075	Gas nozzle Φ 12mm 14-15AK; 喷嘴 Φ 12mm 14-15AK
2	ICU0003-08	140.0059	Contact tip Φ0.8mm E-CU/M6 × 25; 导电嘴 Φ0.8mm/M6 × 25
3	ICZ0607	MF0102	Felix torch head/15AK; 柔性枪头 15AK/配欧式手柄
3.1	IZH0662	002.0078	Gas diffuser 15AK; 分流器 15AK
3.2	IFT0808	002.0058	Nozzle spring 15AK; 分流器弹簧 15AK
4	ICV0001	MP0006	Torch handle/MIG EURO/black rubber/2017/OEM; MIG欧式手柄/黑色防滑皮/2017/OEM
5	IHQ0070	185.0031	Trigger red; 焊枪用开关 21.8MM 红色
6	IHJ0782	BW0237	Joint for 15AK; 电缆支撑用球节 15AK
7	ICN0663	MH0118	Coaxial cable 3M; 同轴电缆组/3米
8	IFT0897	500.0225	Spring/cable support/black; 电缆支撑用弹簧/black
9	IHJ0645	501.2248	Back box hole; 二氧化碳欧式后把套
10	IHJ0070	BW0020	Gun plug nut; 焊枪锁紧螺母/金属螺纹
11	ITB0059	501.2155	Euro central adaptor body/spring pins; 欧式中央接头/弹性针
12	IIC0500-02	GM0500-02	Insulated steel liner Φ0.6-0.8mm 3m blue/torch; 带绝缘层送丝管 Φ0.6-0.8mm 3米 蓝色
13	ICG6000	191.0001	Spanner for MIG; MIG焊枪扳手
Complete Torch			
ICTF2098	MIG 15AK torch 3m with spring pins/cardan flexible; 焊枪15AK/3米/弹性针/万向柔性		
ICTF2099	MIG 15AK torch 4m with spring pins/cardan flexible; 焊枪15AK/4米/弹性针/万向柔性		
ICTF2095	MIG 15AK torch 5m with spring pins/cardan flexible; 焊枪15AK/5米/弹性针/万向柔性		

Note: About the registered trade mark, reference number of the model of the machine and spare parts, please see inner cover (company introduction)
注: 关于注册商标、机器及配件的参考编号的注解, 请见封面内页 (公司简介)

万向柔性 TORCH 25



Technical data	技术参数
Cooling 冷却方式	Gas Cooled 气冷
Duty cycle 60% 暂载率60%	230Amp CO ₂ , 200Amp MIX
Wire Size 焊丝直径	Φ0.8-1.2mm



Position	Code	Ref.	Description
1	ICS0078	145.0076	Gas nozzle Φ 15mm 25AK;喷嘴 Φ 15mm 25AK
2	ICU0004-10	140.0242	contact tip/Φ 1.0mm E-CU/M6 × 28;导电嘴/Φ 1.0mm/M6 × 28
3	ICF0061	142.0001	Gas diffuser M6/35MM/25AK;分流器 M6/35MM/25AK
4	ICZ0606	MF0101	Felix torch head/25;柔性枪颈 25/配欧式手柄
5	ICV0001	MP0006	Torch handle/MIG EURO/black rubber/2017/OEM;MIG欧式手柄/黑色防滑皮/2017/OEM
6	IHQ0070	185.0031	Trigger red;焊枪用开关 21.8MM 红色
7	IZH0864	FB0319	Joint with spring;带弹簧球节
8	ICN0664	MH0119	Coaxial cable 3M;同轴电缆组/3米
9	IFT0897	EA0342	Spring/cable support/black;电缆支撑用弹簧/black
10	IHJ0645	BW0195	Back box hole;二氧化碳欧式后把套
11	IHJ0070	BW0020	Gun plug nut;焊枪锁紧螺母/金属螺纹
12	ITB0059	501.2155	Euro central adapter body/spring pins;欧式中央接头/弹性针
13	IIC0560-02	GM0500-02	Insulated steel liner/Φ 1.0-1.2mm/3M/red;带绝缘层送丝管 Φ 1.0-1.2mm/3米/红色
14	ICG6000	191.0001	Spanner for MIG;MIG 焊枪扳手

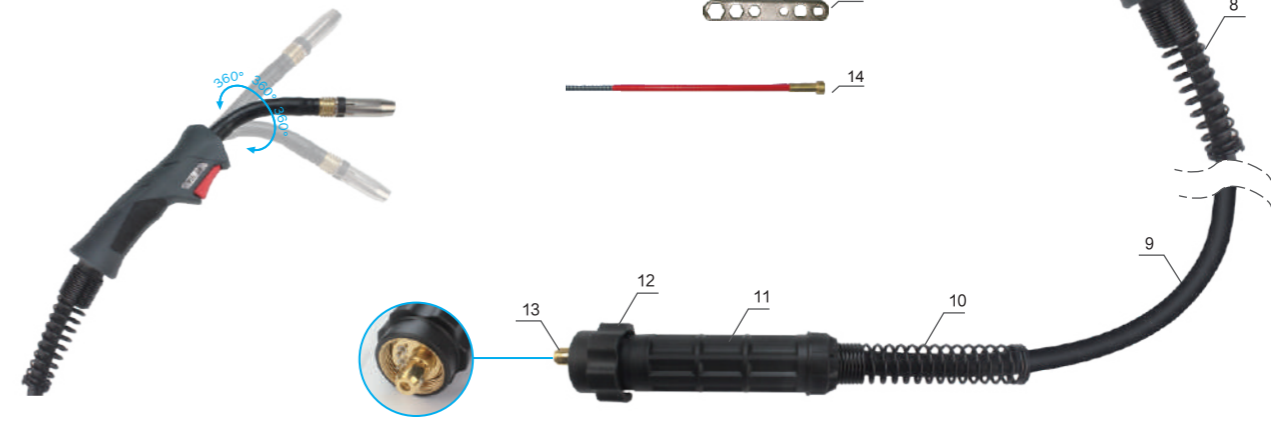
Complete Torch			
	ICTF2798		MIG 25AK torch 3m with spring pins/cardan flexible;焊枪25AK/3米/弹性针/万向柔性
	ICTF2799		MIG 25AK torch 4m with spring pins/cardan flexible;焊枪25AK/4米/弹性针/万向柔性
	ICTF2795		MIG 25AK torch 5m with spring pins/cardan flexible;焊枪25AK/5米/弹性针/万向柔性

Note: About the registered trade mark, reference number of the model of the machine and spare parts, please see inner cover (company introduction)
注:关于注册商标、机器及配件的参考编号的注解,请见封面内页(公司简介)

万向柔性 TORCH 24



Technical data	技术参数
Cooling 冷却方式	Gas Cooled 气冷
Duty cycle 60% 暂载率60%	250Amp CO ₂ , 220Amp MIX
Wire Size 焊丝直径	Φ0.8-1.2mm



Position	Code	Ref.	Description
1	ICS0806	145.008	Gas nozzle Φ 12.5mm/24KD;喷嘴 Φ 12.5mm/24KD
2	ICU0004-10	140.0242	contact tip/Φ 1.0mm E-CU/M6 × 28;导电嘴/Φ 1.0mm/M6 × 28
3	ICU0683	142.0003	Contact tip/holder 24KD M6 26MM;导电嘴座/24KD/M6/26MM
4	ICF0539	ME0584	White ceramic gas diffuser 24KD;白色陶瓷分流器 24KD
5	ICZ0605	MF0105	Felix torch head/24KD;柔性枪颈 24KD
6	ICV0001	MP0006	Torch handle/MIG euro/black rubber/2017/OEM;MIG欧式手柄/黑色防滑皮/2017/OEM
7	IHQ0070	185.0031	Trigger red;焊枪用开关 21.8MM 红色
8	IZH0864	FB0319	Joint with spring;带弹簧球节
9	ICN0664	MH0119	Coaxial cable 3M;同轴电缆组/3米
10	IFT0897	EA0342	Spring/cable support/black;电缆支撑用弹簧/black
11	IHJ0645	BW0195	Back box hole;二氧化碳欧式后把套
12	ITB0059	501.2155	Euro central adapter body/spring pins;欧式中央接头/弹性针
13	IHJ0070	BW0020	Gun plug nut;焊枪锁紧螺母/金属螺纹
14	IIC0560-02	GM0510-02	Insulated steel liner/Φ 1.0-1.2mm/3m red/torch;带绝缘层送丝管 Φ 1.0-1.2mm/3米/红色
15	ICG6000	191.0001	Spanner for MIG;MIG 焊枪扳手

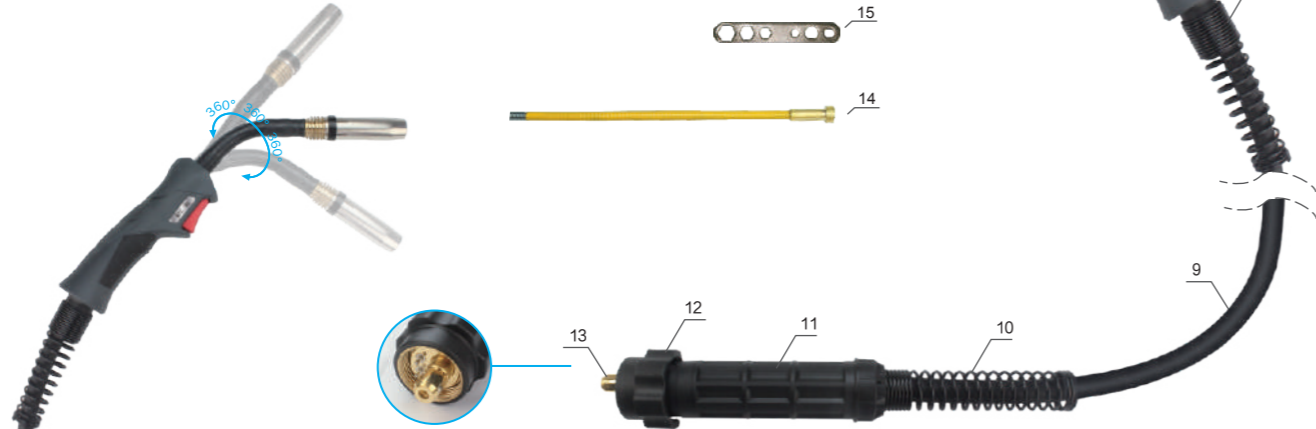
Complete Torch			
	ICTF2698		MIG 24KD torch 3m with spring pins/cardan flexible;焊枪24KD/3米/弹性针/万向柔性
	ICTF2699		MIG 24KD torch 4m with spring pins/cardan flexible;焊枪24KD/4米/弹性针/万向柔性
	ICTF2695		MIG 24KD torch 5m with spring pins/cardan flexible;焊枪24KD/5米/弹性针/万向柔性

Note: About the registered trade mark, reference number of the model of the machine and spare parts, please see inner cover (company introduction)
注:关于注册商标、机器及配件的参考编号的注解,请见封面内页(公司简介)

万向柔性 TORCH 36



Technical data	技术参数
Cooling 冷却方式	Gas Cooled 气冷
Duty cycle 60% 暂载率60%	340Amp CO ₂ , 300Amp MIX
Wire Size 焊丝直径	Φ0.8-1.6mm



Position	Code	Ref.	Description
1	ICS0072	145.0078	Gas nozzle Φ16mm 36KD;喷嘴 Φ16mm 36KD
2	ICU0005-12	140.0442	Contact tip/Φ1.2mm E-CU/M8×30;导电嘴/Φ1.2mm/M8×30
3	ICU0687	MD0132	Contact tip/holder 36KD M8 32MM;导电嘴座/36KD/M8/32MM
4	ICF0562	014.0023	White ceramic gas diffuser 36KD;白色陶瓷分流器 36KD
5	ICZ0601	MF0106	Felix torch head/36KD;柔性枪颈 36KD
6	ICV0001	MP0006	Torch handle/MIG EURO/black rubber/2017/OEM;MIG欧式手柄/黑色防滑皮/2017/OEM
7	IHQ0070	185.0031	Trigger red;焊枪用开关 21.8MM 红色
8	IZH0864	FB0319	Joint with spring;带弹簧球节
9	ICN0670	MH0120	Coaxial cable 3M;同轴电缆组/3米
10	IFT0897	EA0342	Spring/cable support/black;电缆支撑用弹簧/black
11	IHJ0645	BW0195	Back box hole;二氧化碳欧式后把套
12	IHJ0070	BW0020	Gun plug nut;焊枪锁紧螺母/金属螺纹
13	ITB0059	501.2155	Euro central adapter body/spring pins;欧式中央接头/弹性针
14	IIC0590-04	GM0540-04	Insulated steel liner Φ1.2-1.6mm 3M yellow;带绝缘层送丝管Φ1.2-1.6mm 3米 黄色
15	ICG6000	191.0001	Spanner for MIG;MIG 焊枪扳手

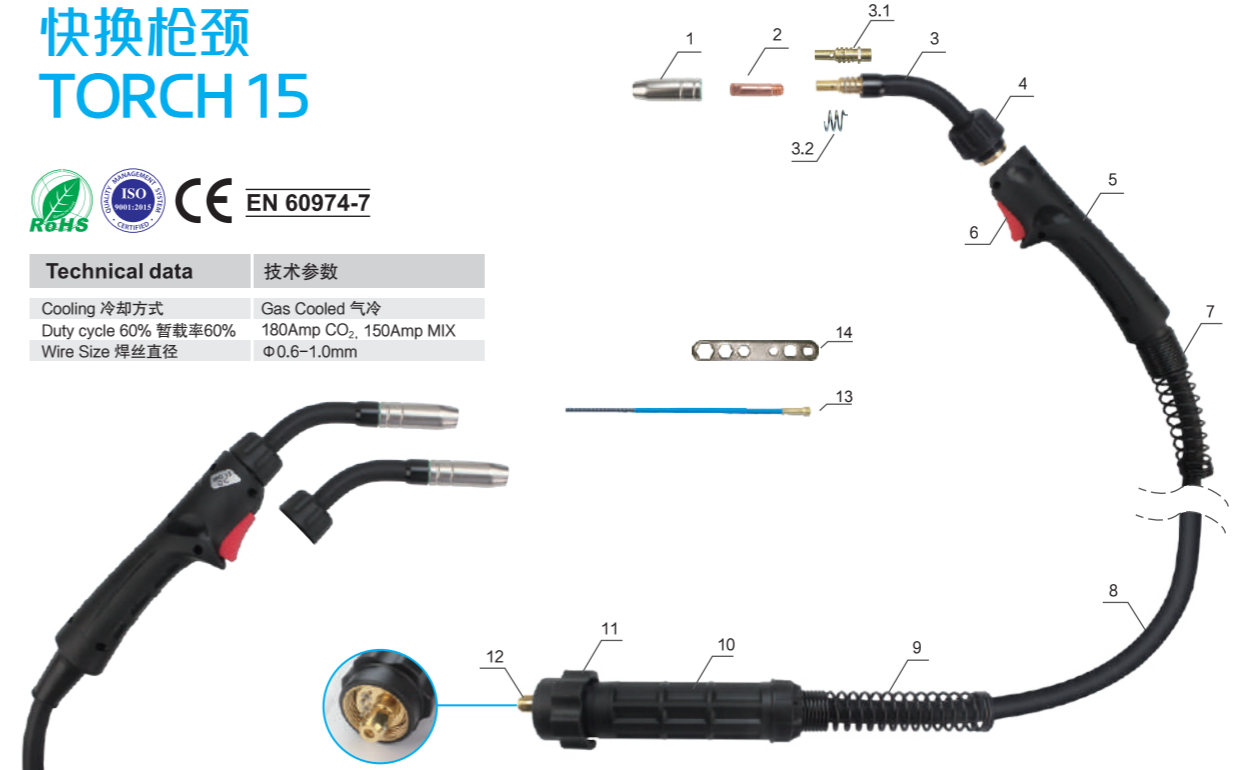
Complete Torch

ICTF2998	MIG 36KD torch 3m with spring pins/cardan flexible;焊枪36KD/3米/弹性针/万向柔性
ICTF2999	MIG 36KD torch 4m with spring pins/cardan flexible;焊枪36KD/4米/弹性针/万向柔性
ICTF2995	MIG 36KD torch 5m with spring pins/cardan flexible;焊枪36KD/5米/弹性针/万向柔性

快换枪颈 TORCH 15



Technical data	技术参数
Cooling 冷却方式	Gas Cooled 气冷
Duty cycle 60% 暂载率60%	180Amp CO ₂ , 150Amp MIX
Wire Size 焊丝直径	Φ0.6-1.0mm



Position	Code	Ref.	Description
1	ICS0063	145.0075	Gas nozzle Φ12mm 14-15AK;喷嘴 Φ12mm 14-15AK
2	ICU0003-08	140.0059	Contact tip/Φ0.8mm E-CU/M6×25;导电嘴/Φ0.8mm/M6×25
3	ICZ0036	MF0081	Torch head/quick replacement 15AK;快换枪颈/15AK
3.1	IZH0662	002.0078	Gas diffuser 15AK;分流器 15AK
3.2	IFT0808	002.0058	Nozzle spring 15AK;分流器弹簧 15AK
4	IZH7021	FB2076	Suitable body/quick replacement/M12×1.0/24KD;手柄适配块/快换枪颈/M12×1.0/24KD
5	ICV0069	MP0014	Torch handle/euro/PA66+30%GF/black;MIG手柄/快换枪颈/欧式/PA66+30%GF/黑色
6	IHQ0070	185.0031	Trigger red;焊枪用开关 21.8MM 红色
7	IHJ0782	BW0237	Joint for 15AK;电缆支撑用球节 15AK
8	ICN0663	MH0118	Coaxial cable 3M;同轴电缆组/3米
9	IFT0897	EA0342	Spring/cable support/black;电缆支撑用弹簧/black
10	IHJ0645	BW0195	Back box hole;二氧化碳欧式后把套
11	IHJ0070	BW0020	Gun plug nut;焊枪锁紧螺母/金属螺纹
12	ITB0059	501.2155	Euro central adapter body/spring pins;欧式中央接头/弹性针
13	IIC0500-02	GM0500-02	Insulated steel liner Φ0.6-0.8mm 3m blue/torch;带绝缘层送丝管Φ0.6-0.8mm 3米 蓝色
14	ICG6000	191.0001	Spanner for MIG;MIG 焊枪扳手

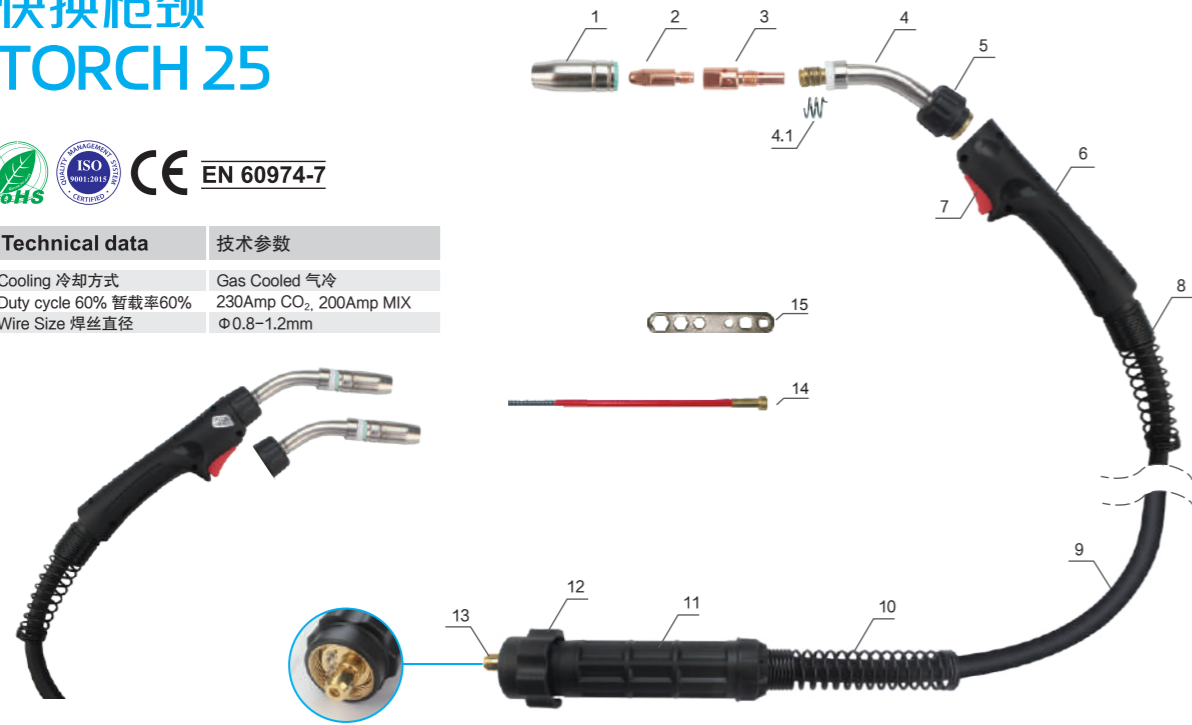
Complete Torch

ICTQ2098	MIG 15AK torch 3m with spring pins/quick replacement;焊枪15AK/3米/弹性针/快换
ICTQ2099	MIG 15AK torch 4m with spring pins/quick replacement;焊枪15AK/4米/弹性针/快换
ICTQ2095	MIG 15AK torch 5m with spring pins/quick replacement;焊枪15AK/5米/弹性针/快换

快换枪颈 TORCH 25



Technical data	技术参数
Cooling 冷却方式	Gas Cooled 气冷
Duty cycle 60% 暂载率60%	230Amp CO ₂ 200Amp MIX
Wire Size 焊丝直径	Φ0.8-1.2mm



Position	Code	Ref.	Description
1	ICS0078	145.0076	Gas nozzle Φ 15mm 25AK;喷嘴 Φ 15mm 25AK
2	ICU0004-10	140.0242	Contact tip/Φ 1.0mm E-CU/M6 × 28;导电嘴/Φ 1.0mm/M6 × 28
3	ICF0061	142.0001	Gas diffuser M6/35MM/25AK;分流器 M6/35MM/25AK
4	ICZ0037	MF0082	Torch head/quick replacement 25AK;快换枪颈/25AK
4.1	IFT0809	003.0013	Nozzle spring 25AK;分流器弹簧 25AK
5	IZH7021	FB2076	Suitable body/quick replacement/M12 × 1.0/24KD;手柄适配块/快换枪颈/M12 × 1.0/24KD
6	ICV0069	MP0014	Torch handle/euro/PA66+30%GF/BLACK;MIG手柄/快换枪颈/欧式/PA66+30%GF/黑色
7	IHQ0070	185.0031	Trigger red;焊枪用开关 21.8MM 红色
8	IZH0864	FB0319	Joint with spring;带弹簧球节
9	ICN0664	MH0119	Coaxial cable 3M;同轴电缆组/3米
10	IFT0897	EA0342	Spring/cable support/black;电缆支撑用弹簧/black
11	IHJ0645	BW0195	Back box hole;二氧化碳欧式后把套
12	IHJ0070	BW0020	Gun plug nut;焊枪锁紧螺母/金属螺纹
13	ITB0059	501.2155	Euro central adapter body/spring pins;欧式中央接头/弹性针
14	IIC0560-02	GM0510-02	Insulated steel liner/Φ 1.0-1.2mm/3M/red;带绝缘层送丝管 Φ 1.0-1.2mm/3米/红色
15	ICG6000	191.0001	Spanner for MIG;MIG 焊枪扳手

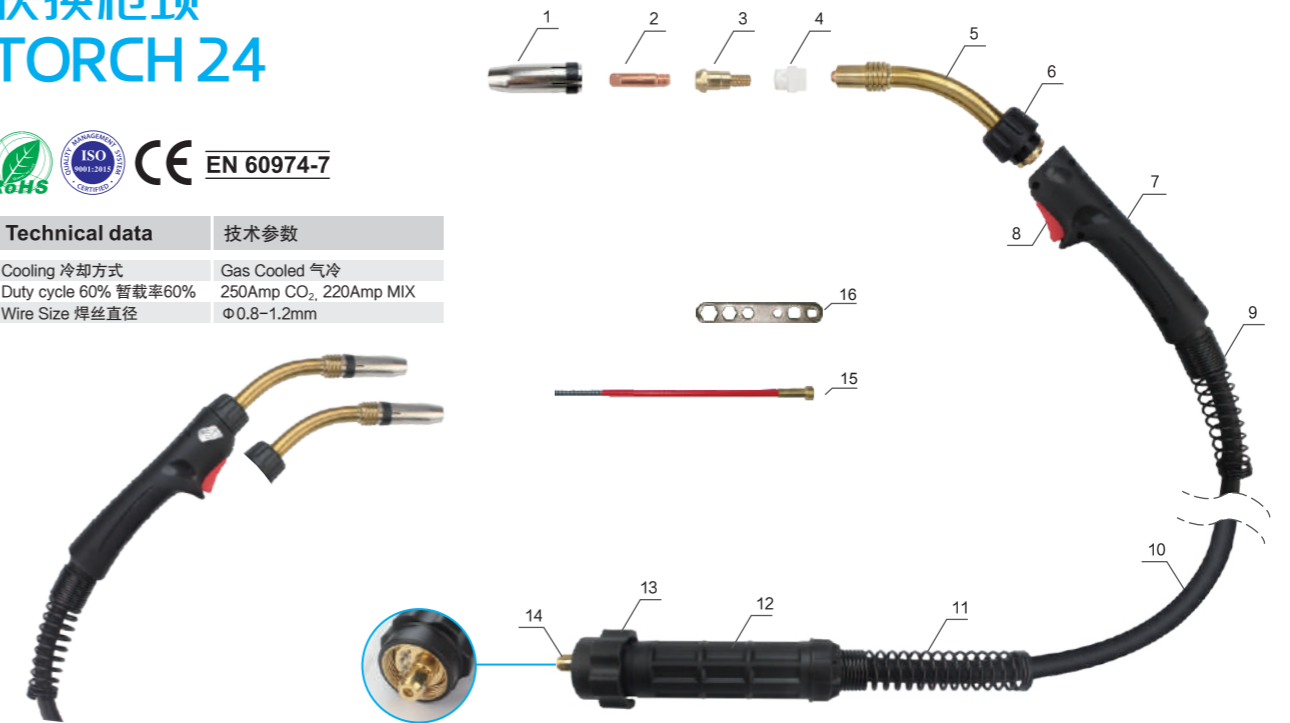
Complete Torch

ICTQ2798	MIG 25AK torch 3m with spring pins/quick replacement;焊枪25AK/3米/弹性针/快换
ICTQ2799	MIG 25AK torch 4m with spring pins/quick replacement;焊枪25AK/4米/弹性针/快换
ICTQ2795	MIG 25AK torch 5m with spring pins/quick replacement;焊枪25AK/5米/弹性针/快换

快换枪颈 TORCH 24



Technical data	技术参数
Cooling 冷却方式	Gas Cooled 气冷
Duty cycle 60% 暂载率60%	250Amp CO ₂ 220Amp MIX
Wire Size 焊丝直径	Φ0.8-1.2mm



Position	Code	Ref.	Description
1	ICS0806	145.008	Gas nozzle Φ 12.5mm/24KD;喷嘴 Φ 12.5mm/24KD
2	ICU0004-10	140.0242	contact tip/Φ 1.0mm E-CU/M6 × 28;导电嘴/Φ 1.0mm/M6 × 28
3	ICU0683	142.0003	Contact tip/holder 24KD M6 26MM;导电嘴座/24KD/M6/26MM
4	ICF0539	ME0584	White ceramic gas diffuser 24KD;白色陶瓷分流器 24KD
5	ICZ0038	MF0083	Torch head/quick replacement 24KD;快换枪颈/24KD
6	IZH7021	FB2076	Suitable body/quick replacement/M12 × 1.0/24KD;手柄适配块/快换枪颈/M12 × 1.0/24KD
7	ICV0069	MP0014	Torch handle/euro/PA66+30%GF/BLACK;MIG手柄/快换枪颈/欧式/PA66+30%GF/黑色
8	IHQ0070	185.0031	Trigger red;焊枪用开关 21.8MM 红色
9	IZH0864	FB0319	Joint with spring;带弹簧球节
10	ICN0664	MH0119	Coaxial cable 3M;同轴电缆组/3米
11	IFT0897	EA0342	Spring/cable support/black;电缆支撑用弹簧/BLACK
12	IHJ0645	BW0195	Back box hole;二氧化碳欧式后把套
13	IHJ0070	BW0020	Gun plug nut;焊枪锁紧螺母/金属螺纹
14	ITB0059	501.2155	Euro central adapter body/spring pins;欧式中央接头/弹性针
15	IIC0560-02	GM0510-02	Insulated steel liner/Φ 1.0-1.2mm/3m red/torch;带绝缘层送丝管 Φ 1.0-1.2mm/3米/红色
16	ICG6000	191.0001	Spanner for MIG;MIG 焊枪扳手

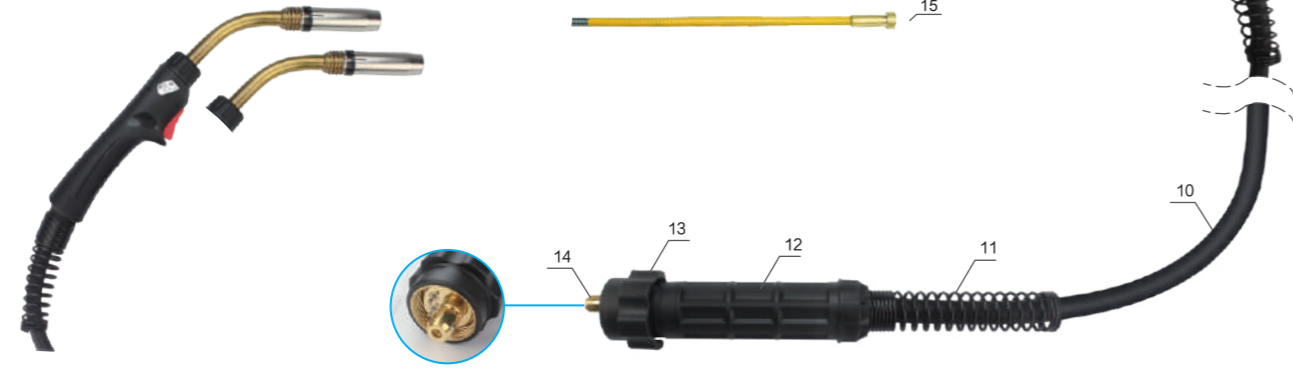
Complete Torch

ICTQ2698	MIG 24KD torch 3m with spring pins/quick replacement;焊枪24KD/3米/弹性针/快换
ICTQ2699	MIG 24KD torch 4m with spring pins/quick replacement;焊枪24KD/4米/弹性针/快换
ICTQ2695	MIG 24KD torch 5m with spring pins/quick replacement;焊枪24KD/5米/弹性针/快换

快换枪颈 TORCH 36



Technical data	技术参数
Cooling 冷却方式	Gas Cooled 气冷
Duty cycle 60% 暂载率60%	340Amp CO ₂ , 300Amp MIX
Wire Size 焊丝直径	Φ0.8-1.6mm



Position	Code	Ref.	Description
1	ICS0072	145.0078	Gas nozzle Φ 16mm 36KD;喷嘴 Φ 16mm 36KD
2	ICU0005-12	140.0442	Contact tip/Φ 1.2mm E-CU/M8 × 30;导电嘴/Φ 1.2mm/M8 × 30
3	ICU0687	MD0132	Contact tip/holder 36KD M8 32MM;导电嘴座/36KD/M8/32MM
4	ICF0562	014.0023	White ceramic gas diffuser 36KD;白色陶瓷分流器 36KD
5	ICZ0039	MF0084	Torch head/quick replacement 36KD;快换枪颈/36KD
6	IZH7021	FB2076	Suitable body/quick replacement/M12 × 1.0/24KD;手柄适配块/快换枪颈/M12 × 1.0/24KD
7	ICV0069	MP0014	Torch handle/euro/PA66+30%GF/black;MIG手柄/快换枪颈/欧式/PA66+30%GF/黑色
8	IHQ0070	185.0031	Trigger red;焊枪用开关 21.8MM 红色
9	IZH0864	FB0319	Joint with spring;带弹簧球节
10	ICN0670	MH0120	Coaxial cable 3M;同轴电缆组/3米
11	IFT0897	EA0342	Spring/cable support/black;电缆支撑用弹簧/black
12	IHJ0645	BW0195	Back box hole;二氧化碳欧式后把套
13	IHJ0070	BW0020	Gun plug nut;焊枪锁紧螺母/金属螺纹
14	ITB0059	501.2155	Euro central adapter body/spring pins;欧式中央接头/弹性针
15	IIC0590-04	GM0540-04	Insulated steel liner Φ 1.2-1.6mm 3M yellow;带绝缘层送丝管 Φ 1.2-1.6mm 3米 黄色
16	ICG6000	191.0001	Spanner for MIG;MIG 焊枪扳手

Complete Torch

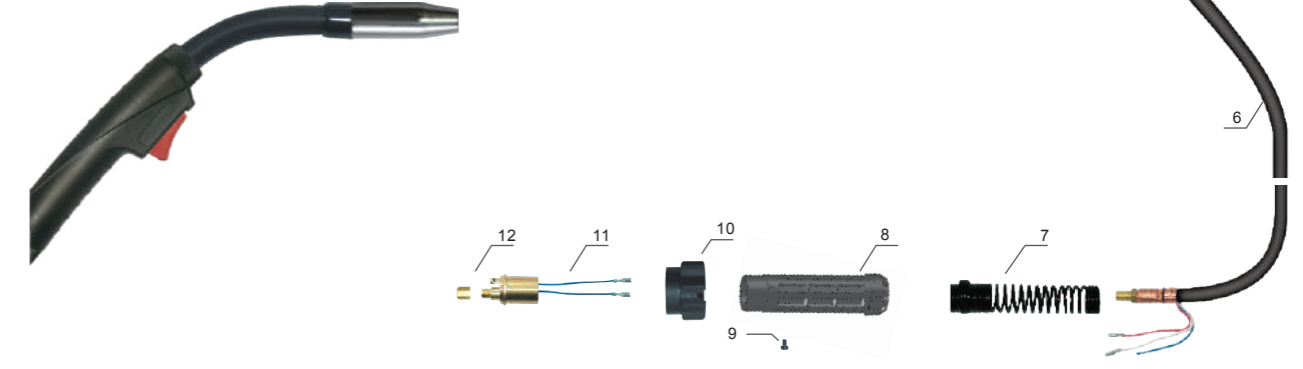
ICTQ2998	MIG 36KD torch 3m with spring pins/quick replacement;焊枪36KD/3米/弹性针/快换
ICTQ2999	MIG 36KD torch 4m with spring pins/quick replacement;焊枪36KD/4米/弹性针/快换
ICTQ2995	MIG 36KD torch 5m with spring pins/quick replacement;焊枪36KD/5米/弹性针/快换

Note: About the registered trade mark, reference number of the model of the machine and spare parts, please see inner cover (company introduction)
注:关于注册商标、机器及配件的参考编号的注解,请见封面内页(公司简介)

SUPER MAXI 150



Technical data	技术参数
Cooling 冷却方式	Gas Cooled 气冷
Duty cycle 60% 暂载率60%	180Amp CO ₂ , 140Amp MIX
Wire Size 焊丝直径	Φ0.6-1.2mm



Position	Code	Ref.	Description
1	ICS0001	MC0006	Gas Nozzle Φ 14mm;喷嘴 Φ 14mm
2	ICU0003-08	MD0008-08	Contact tip Φ 0.8mm E-CU;导电嘴 Φ 0.8mm
3	ICZ0007	MF0002	Torch head;枪颈
4	ICV0057	MP0052	Torch grip handle/MAXI 150;MAXI 150手柄
5	IHQ0070	185.0031	Trigger;焊枪用开关
6	ICN0860	MH0310	Coaxial cable MAXI 150/3M;同轴电缆组 MAXI 150/3米
7	IFT0897	EA0342	Spring cable support;支撑弹簧
8	IHJ0645	BW0195	Back box hole;二氧化碳欧式后把套
9	IFT0063	EA0018	Screw M4X6 UNI;螺丝 M4X6 UNI
10	IHJ0063	BW0018	Adaptornut;焊枪锁紧螺母
11	ITB0038	AR0083	Central adaptor TW/Euro M12x1/Spring pins;中央接头/TW/Euro M12x1/弹性针
12	IZT0072	FA0027	Linernut M11x1;送丝管螺母/M11x1
13	IIC0066-03	GM0011-03	Steel liner 3.4m Φ 0.8-1.0mm;送丝管3.4m Φ 0.8-1.0mm
14	ICG6000	191.0001	Spanner for MIG;MIG焊枪扳手

Complete Torch

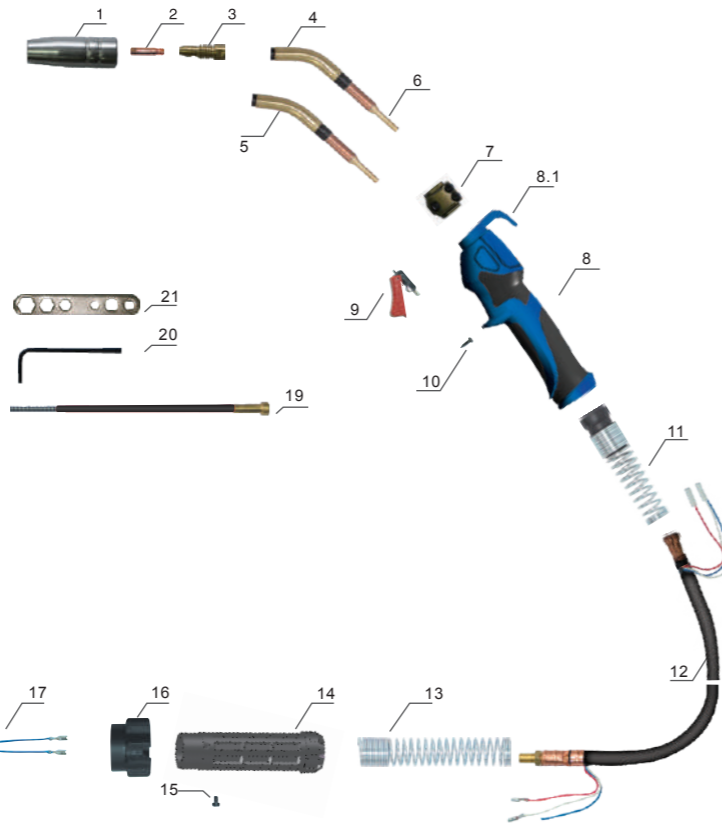
ICT1615	MA6165	MIG MAX150 torch 3m Euro/TW with spring pins;焊枪 MAX150/3米/弹性针/欧式
ICT1611	MA6166	MIG MAX150 torch 4m Euro/TW with spring pins;焊枪 MAX150/4米/弹性针/欧式
ICT1612	MA6167	MIG MAX150 torch 5m Euro/TW with spring pins;焊枪 MAX150/5米/弹性针/欧式

Note: About the registered trade mark, reference number of the model of the machine and spare parts, please see inner cover (company introduction)
注:关于注册商标、机器及配件的参考编号的注解,请见封面内页(公司简介)

SUPER MAXI 250



Technical data	技术参数
Cooling 冷却方式	Gas Cooled 气冷
Duty cycle 60% 暂载率60%	250Amp CO ₂ , 200Amp MIX
Wire Size 焊丝直径	Φ0.8-1.2mm



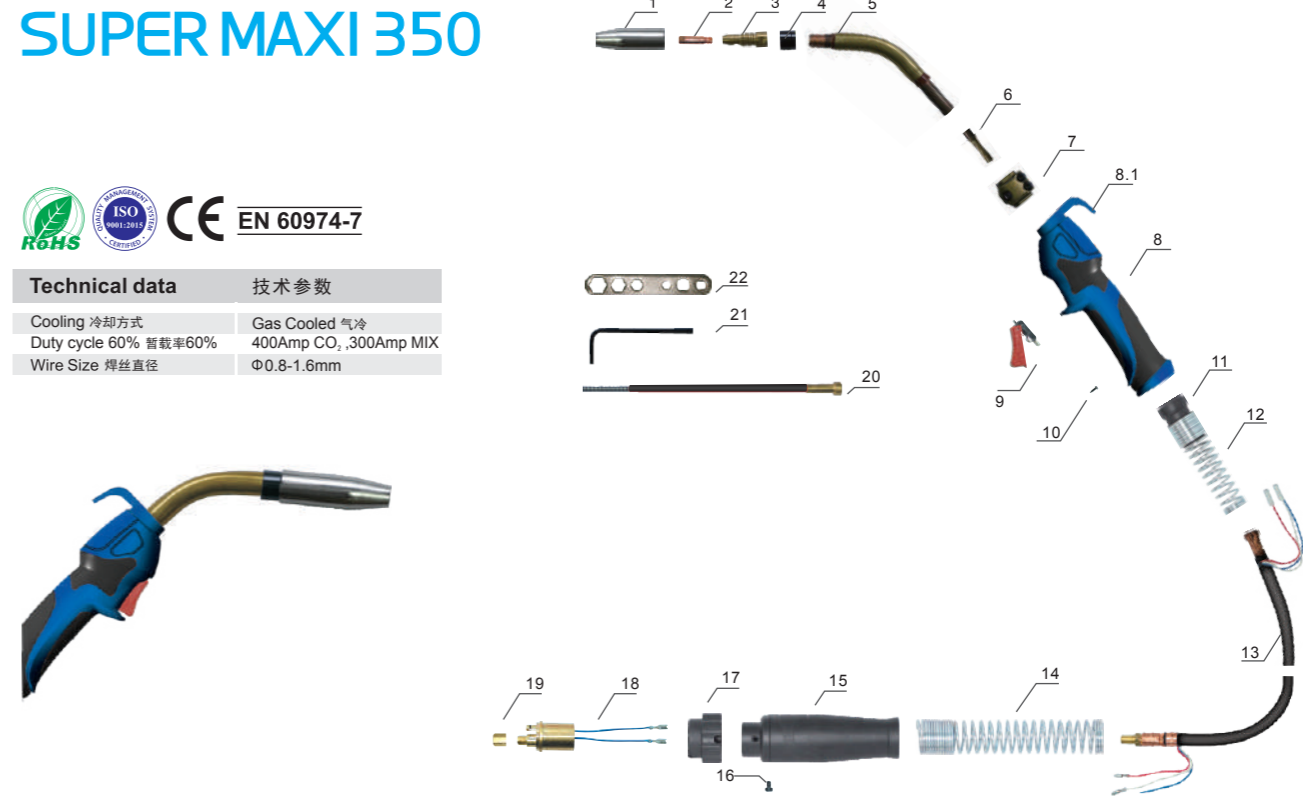
Position	Code	Ref.	Description
1	ICS0673	MC0128	Gas Nozzle Φ 16mm; 喷嘴 Φ 16mm
2	ICU0008-10	MD0003-10	Contact tip Φ 1.0mm; 导电嘴 Φ 1.0mm
3	ICF0006	ME0001	Gas diffuser; 分流器
4	ICZ0629	MF0174	Torch head 45° ; 枪头 45°
5	ICZ0628	64J45	Torch head 60° ; 枪头 60°
6	ITY0072	AU0027	Gas Hose Nipple; 接头
7	ICG0020	MT0070	Adjusting Block Kit Clamp; 定位块
8	ICV0855-01	MP0355-01	Handle; 手柄
8.1	IHJ0672	BW0127	Hanger for handle Φ 16mm; MAXI 手柄用挂钩 MAXI250 Φ 16mm
9	IHQ0070	185.0031	Trigger; 焊枪用开关
10	IFT0874	EA0329	Screw 3.0x10; 螺丝 3.0x10
11	IHJ0777	BW0319	Joint with spring; 带弹簧球节
12	ICN0798	MH0243	Coaxial cable 3m; 电缆组 3m
13	IFT0897-01	EA0342	Spring cable Support; 支撑弹簧
14	IHJ0645	BW0195	Back box; 后把套
15	IFT0063	EA0018	Screw M4x6; 螺丝 M4x6
16	IHJ0070	BW0020	Gun plug nut; 焊枪锁紧螺母
17	ITB0038	AR0083	Central adaptor TW/Euro M12x1/Spring pins; 中央接头 TW/Euro M12x1/弹性针
18	IZT0072	FA0027	Liner nut M11x1; 送丝管锁紧螺母 M11x1
19	IIC0067-06	GM0012-06	Steel line 3.0m Φ0.8-0.9mm; 送丝管 3.0m Φ0.8-0.9mm
20	ICG6007	MT1002	Spanner for Pan torch; 日式枪用六角扳手
21	ICG6000	191.0001	Spanner for MIG; MIG 焊枪扳手
Complete Torch			
	ICT1715-36	MA6265	MIG MAXI 250 torch 3m with spring pins; 焊枪 MAXI 250/3m/弹性针
	ICT1711-36	MA6266	MIG MAXI 250 torch 4m with spring pins; 焊枪 MAXI 250/4m/弹性针
	ICT1712-36	MA6267	MIG MAXI 250 torch 5m with spring pins; 焊枪 MAXI 250/5m/弹性针

Note: About the registered trade mark, reference number of the model of the machine and spare parts, please see inner cover (company introduction)
注: 关于注册商标、机器及配件的参考编号的注解, 请见封面内页 (公司简介)

SUPER MAXI 350



Technical data	技术参数
Cooling 冷却方式	Gas Cooled 气冷
Duty cycle 60% 暂载率60%	400Amp CO ₂ , 300Amp MIX
Wire Size 焊丝直径	Φ0.8-1.6mm



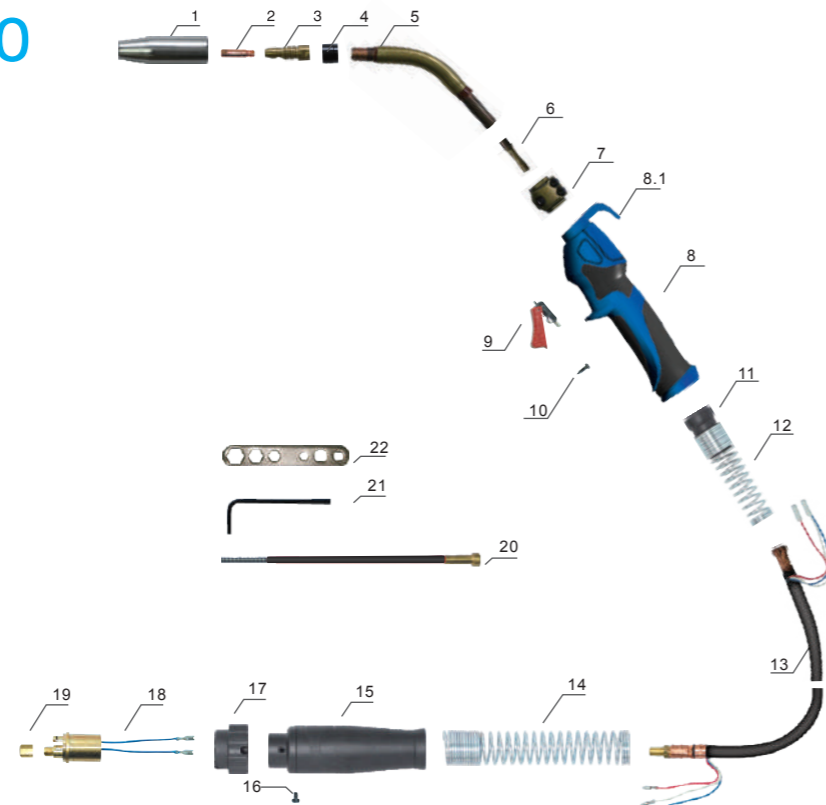
Position	Code	Ref.	Description
1	ICS0067	MC0012	Gas Nozzle Φ 18mm; 喷嘴 Φ 18mm
2	ICU0009-12	MD0004-12	Contact tip Φ 1.2mm; 导电嘴 Φ 1.2mm
3	ICF0008	ME0003	Gas diffuser; 分流器
4	ICK0637	MQ0182	Insulator for Torch head; 绝缘环
5	ICZ0792	MF0247	Torch head; 枪头
6	ITY0684	AU0028	Back fitting coaxial cable; 电缆接头
7	ICG0027	MT0072	Adjusting Block Kit Clamp; 定位块
8	ICV0855-01	MP0355-01	Handle; 手柄
8.1	IHJ0670	MP0355-01	Hanger for handle Φ 18mm; MAXI 手柄用挂钩 Φ 18mm
9	IHQ0070	185.0031	Trigger; 焊枪用开关
10	IFT0874	EA0329	Screw 3.0x10; 螺丝 3.0x10
11	IHJ0777	BW0222	Joint for MIG handle; MIG手柄用球头
12	IFT0876-01	EA0321-01	Spring for cable support/Blue and white zinc plating; 电缆支撑用弹簧/镀蓝白锌
13	ICN0791	MH0246	Coaxial cable 3m; 电缆组 3m
14	IFT0824	EA0379	Spring for cable support/Blue and white zinc plating; 电缆支撑用弹簧/镀蓝白锌
15	IHJ0872	BW0327	Back box with closing ring; 后把套/含锁紧环
16	IFT0063	EA0018	Screw M4x6; 螺丝 M4x6
17	IHJ0070	BW0020	Adaptor nut; 焊枪锁紧螺母
18	ITB0038	AR0083	Central adaptor TW/Euro M12x1/Spring pins; 中央接头 TW/Euro M12x1/弹性针
19	IZT0072	FA0027	Liner nut M11x1; 送丝管锁紧螺母 M11x1
20	IIC0068-06	GM0012-06	Steel liner 3.4m Φ1.2-1.6mm; 送丝管 3.4m Φ1.2-1.6mm
21	ICG6007	MT1002	Spanner for pan torch; 日式枪用六角扳手
22	ICG6000	191.0001	Spanner for MIG; MIG 焊枪扳手
Complete Torch			
	ICT1815-36	MA6365	MIG MAXI 350 torch 3m with spring pins; 焊枪 MAXI 350/3m/弹性针
	ICT1811-36	MA6366	MIG MAXI 350 torch 4m with spring pins; 焊枪 MAXI 350/4m/弹性针
	ICT1812-36	MA3667	MIG MAXI 350 torch 5m with spring pins; 焊枪 MAXI 350/5m/弹性针

Note: About the registered trade mark, reference number of the model of the machine and spare parts, please see inner cover (company introduction)
注: 关于注册商标、机器及配件的参考编号的注解, 请见封面内页 (公司简介)

SUPER MAXI 450



Technical data	技术参数
Cooling 冷却方式	Gas Cooled 气冷
Duty cycle 60% 暂载率60%	500Amp CO ₂ , 400Amp MIX
Wire Size 焊丝直径	Φ0.8-2.0mm

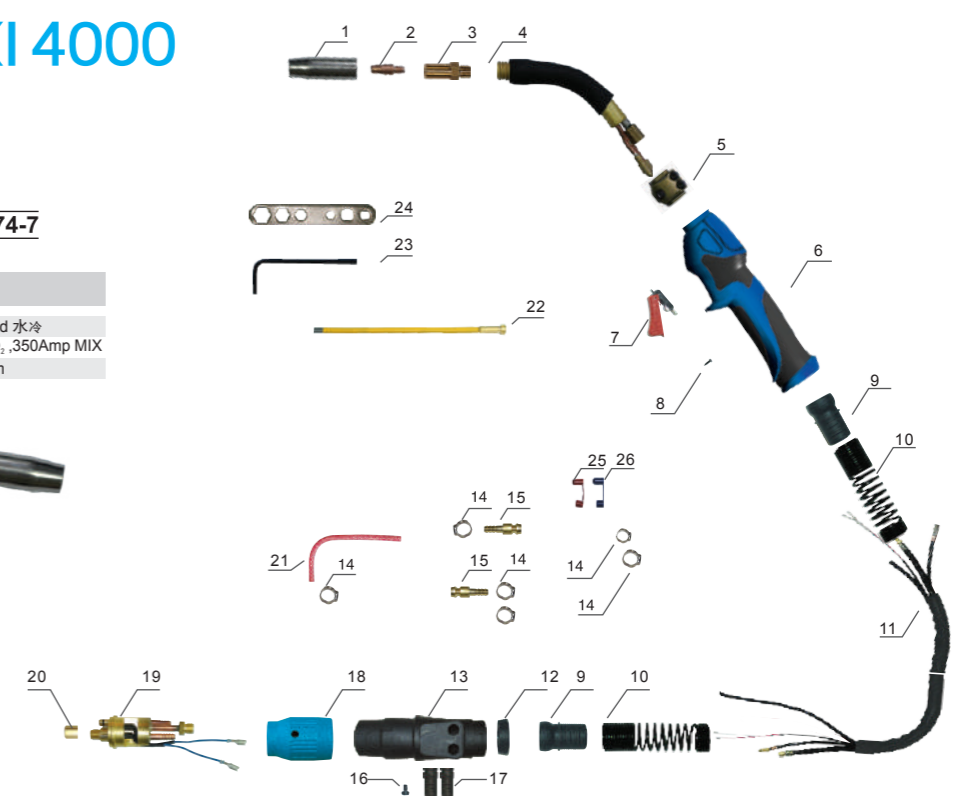


Position	Code	Ref.	Description
1	ICS0067	MC0012	Gas Nozzle Φ18mm;喷嘴 Φ18mm
2	ICU0005-12	MD0005-12	Contact tip Φ1.2mm E-CU/M8;导电嘴 Φ1.2mm/M8
3	ICF0001	ME0006	Gas diffuser;分流器
4	ICK0637	MF0182	Insulator for Torch head;绝缘环
5	ICZ0031	MF0086	Torch head;枪颈
6	ITY0684	AU0028	Back fitting coaxial cable of MAXI;MAXI 枪电缆接头
7	ICG0027	MT0072	Adjusting Block Kit Clamp;定位块
8	ICV0855-01	MP0355-01	Handle;手柄
8.1	IHJ0673	BW0128	Hanger for handle Φ 20;MAXI 手柄用挂钩Φ 20
9	IHQ0070	185.0031	Trigger;焊枪用开关
10	IFT0874	EA0329	Screw 3.0x10;螺丝 3.0x10
11	IHJ0777	BW0222	Joint for MIG handle;MIG手柄用球头
12	IFT0876-01	EA0321-01	Spring for cable support/Blue and white zinc plating;电缆支撑用弹簧/镀蓝白锌
13	ICN0794	Mh0249	Coaxial cable 3m;电缆组 3m
14	IFT0824	EA0379	Spring for cable support/Blue and white zinc plating;电缆支撑用弹簧/镀蓝白锌
15	IHJ0872	BW0327	Back box with closing ring;后把套/含锁紧环
16	IFT0063	EA0018	Screw M4x6;螺丝 M4x6
17	IHJ0070	BW0020	Adaptor nut;焊枪锁紧螺母
18	ITB0038	AR0083	Central adaptor TW/Euro M12x1/Spring pins;中央接头 TW/Euro M12x1/弹性针
19	IZT0072	FA0027	Liner nut M11x1;送丝管锁紧螺母 M11x1
20	IIC0068-06	GM0012-06	Steel liner 3.4m Φ1.2-1.6mm;送丝管 3.4m Φ1.2-1.6mm
21	ICG6007	MT1002	Spanner for pan torch;日式枪用六角扳手
22	ICG6000	191.0001	Spanner for MIG;MIG 焊枪扳手
Complete Torch			
	ICT1915-36	MA6465	MIG MAXI 450 torch 3m with spring pins;焊枪 MAXI 450/3m/弹性针
	ICT1911-36	MA6466	MIG MAXI 450 torch 4m with spring pins;焊枪 MAXI 450/4m/弹性针
	ICT1912-36	MA6467	MIG MAXI 450 torch 5m with spring pins;焊枪 MAXI 450/5m/弹性针

SUPER MAXI 4000



Technical data	技术参数
Cooling 冷却方式	Water Cooled 水冷
Duty cycle 100% 暂载率100%	400Amp CO ₂ , 350Amp MIX
Wire Size 焊丝直径	Φ1.0-2.4mm

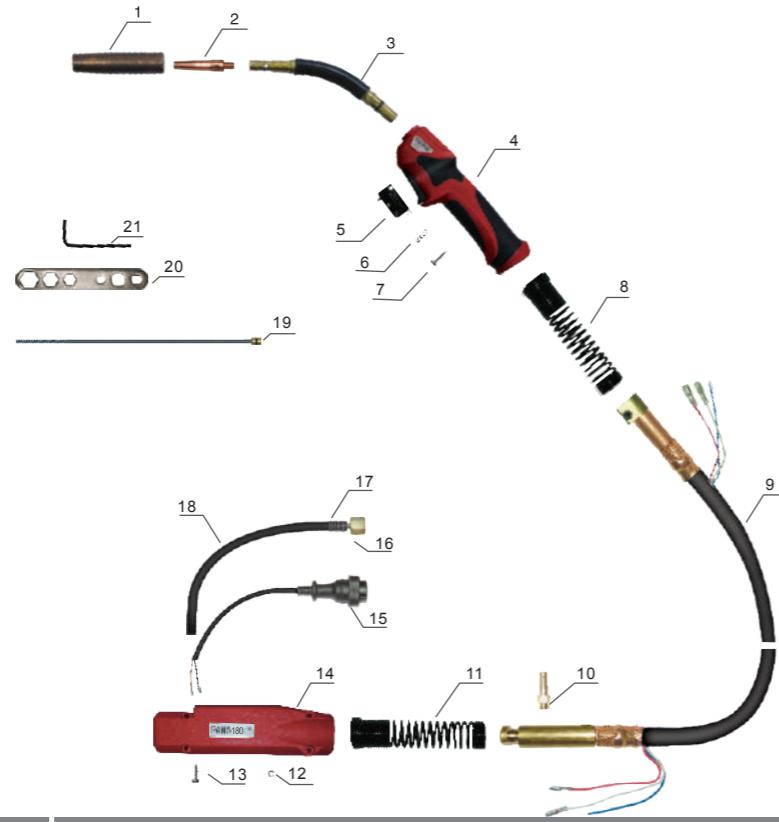


Position	Code	Ref.	Description
1	ICS0067	MC0012	Gas Nozzle Φ18mm;喷嘴 Φ18mm
2	ICU0005-12	MD0005-12	Contact tip Φ1.2mm E-CU/M8;导电嘴 Φ1.2mm/M8
3	ICF0004	ME0009	Gas diffuser;分流器
4	ICI0061	MG0016	Torch head;枪颈
5	ICG0027	MT0072	Adjusting Block Kit Clamp;定位块
6	ICV0855-01	MP0355-01	Handle;手柄
7	IHQ0070	185.0031	Trigger;焊枪用开关
8	IFT0874	EA0329	Screw 3.0x16;螺丝 3.0x16
9	IHJ0777	BX0222	Joint for MIG handle;手柄用球头
10	IFT0870	EA0320	Spring cable support;电缆支撑用弹簧
11	ICD0077	MN0022	Cable assembly;电缆组
12	IHJ0715	BW0265	Handle closing ring;手柄锁紧环
13	IHJ0763	BW0218	Back box for water cooled torches;水冷枪后把套
14	IFT0722	EA0277	Clamp Φ9.0mm;卡箍 Φ9.0mm
15	IZT8070	FA3020	Quick connector water Φ6mm;水冷快速插头 Φ6mm
16	IFT0063	EA0018	Screw M4x6;螺丝 M4x6
17	IFT0764	EA0219	Hose support for water cooled rear box;水管支柱
18	IHJ0072	BW0027	Adaptor nut /Blue;锁紧螺母/蓝色
19	ITB0607	AR0102	Euro centre adaptor/water/maxi/spring pin;欧式中央插头/水冷/MAXI/弹性针
20	IZT0071	FA0026	Liner nut;送丝管锁紧螺母
21	IKH0605	QB0105	EPDM output water tube Φ5x8mm 0.8m red;EPDM 出水管 Φ5x8mm 0.8m Red
22	IIC0590	GM0540	Insulated Steel Liner Φ1.2-1.6mm/3m/Yellow;带绝缘层送丝管 Φ1.2-1.6mm/3m/黄色
23	ICG6007	EA0297	Spanner for pan torch;日式枪用六角扳手
24	ICG6000	191.0001	Spanner for MIG;MIG 焊枪扳手
25	IHJ0306	BW0801	Plastic support for water cooling connector red水堵/红色
26	IHJ0308	BW0803	Plastic support for water cooling connector blue水堵/蓝色
Complete Torch			
	ICH7898-36	MB2343	MIG MAXI 4000 torch 3m with spring pins;焊枪 MAXI 4000/3m/弹性针
	ICH7899-36	MB2344	MIG MAXI 4000 torch 4m with spring pins;焊枪 MAXI 4000/4m/弹性针
	ICH7895-36	MB2345	MIG MAXI 4000 torch 5m with spring pins;焊枪 MAXI 4000/5m/弹性针

TORCH P180



Technical data	技术参数
Cooling 冷却方式	Gas Cooled 气冷
Duty cycle 60% 暂载率60%	200Amp CO ₂ , 160Amp MIX
Wire Size 焊丝直径	Φ0.8-1.2mm

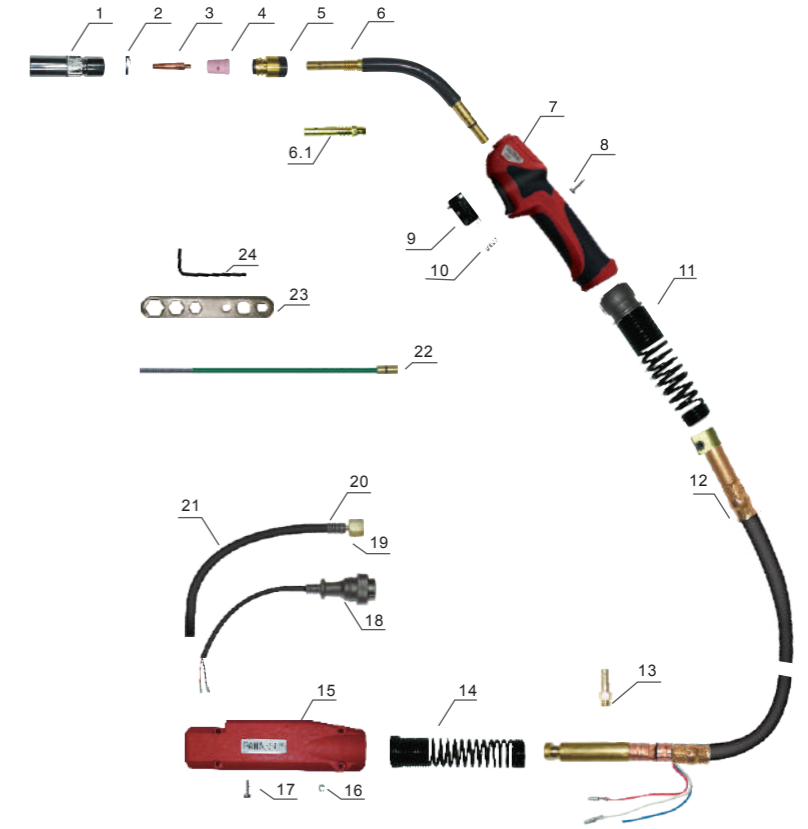


Position	Code	Ref.	Description
1	ICS0456	MC0951	Nozzle PAN 180;喷嘴/日式180
2	ICU0746-08	MD0291-08	Contact tip Φ0.8mm E-CU/M6 × 45;导电嘴 Φ0.8mm/M6 × 45
3	ICZ0740	MF0290	Torch head PAN 180;枪颈/日式180
4	ICV0895-01	MP0345-01	MIG handle PAN180;MIG手柄/日式180
5	IHQ0186	BX0631	Switch for MIG/PAN;微动开关/日式枪用
6	IFT0860	EA0310	Spring for switch/PAN;弹簧日式枪/微动开关用
7	IFT0853	EA0358	Screw D.3x8 UNI9707;螺丝 D.3x8
8	IFT0825	EA0375	Spring cable support;电缆支撑用弹簧
9	ICN0110-01	MH0660-01	Coaxial cable assembling/3m/PAN;同轴电缆组 /3m/日式
10	IZH7065	FB2015	Gas connector for MIG torch/PAN;日式枪后气管接头
11	IFT0821	EA0376	Spring cable support/PAN;电缆支撑用弹簧/日式
12	IFT0020	04260.44	Nut M4;六角螺母M4
13	IFT0079	EA0024	Screw M4x20;螺丝 M4x20
14	IHJ0793	BW0248	Back box for PAN torch;后把套/日式
15	IHQ0759	BX0254	Connector 2 holes/PAN;两芯航插/松下
16	IZT9009	FA4004	Connector with hexagonal nut 9/16-18;接头带9/16-18 六角螺母
17	IFT0803	EA0308	Spring for gas tube;气管用弹簧
18	IKH0669	QB0114	Epdm tube 4.8x10m;Epdm管4.8x10 米
19	IIC0551	GM0556	Insulated steel liner /Φ0.8-1.0mm/3.1m/Black PAN 180;带绝缘层送丝管Φ0.8-1.0mm 3.1m/黑色/日式180
20	ICG6000	191.0001	Spanner for MIG torches;MIG 焊枪扳手
21	ICG6007	MT1002	Spanner for PAN torch;日式枪用六角扳手
Complete Torch			
	ICT6531-36		MIG 180 torch 3m PAN;焊枪180 3米 日式
	ICT6532-36		MIG 180 torch 4m PAN;焊枪180 4米 日式
	ICT6533-36		MIG 180 torch 5m PAN;焊枪180 5米 日式

TORCH P350



Technical data	技术参数
Cooling 冷却方式	Gas Cooled 气冷
Duty cycle 60% 暂载率60%	340Amp CO ₂ , 320Amp MIX
Wire Size 焊丝直径	Φ0.8-1.6mm

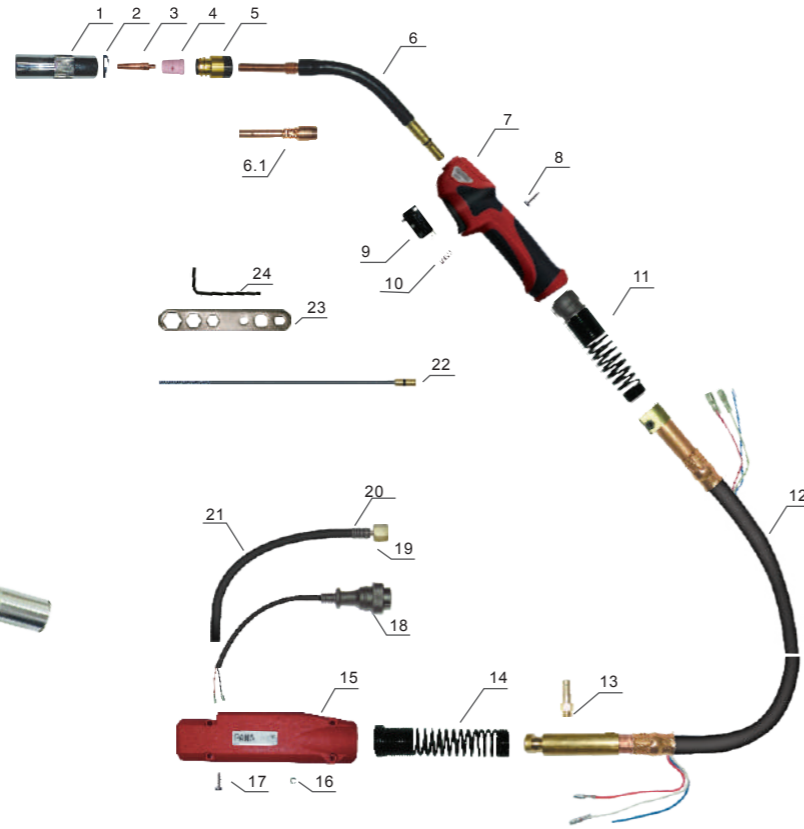


Position	Code	Ref.	Description
1	ICS0496	MC0941	Nozzle P350;喷嘴/日式350
2	IFT0668	EA0113	Grower M21mm;发黑弹垫 M21mm
3	ICU0746-10	MD0291-10	Contact tip Φ1.0mm E-CU M6X45;导电嘴 Φ1.0mm M6X45mm
4	ICF0976	ME0421	Ceramic diffuser P350;陶瓷分流器 日式350
5	ICS6609	MC1104	Insulator P350;绝缘筒 日式350
6	ICZ0749	MF0294	Torch head P350;枪颈 日式350
6.1	ICF0971	ME0426	Torch head front part P350;枪颈前段 日式350
7	ICV0850-01	MP0350-01	MIG handle P350/500;MIG手柄 日式350/500
8	IFT0874	EA0329	Screw M3X10mm;螺丝 M3X10mm
9	IHQ0186	BX0631	Switch for MIG/PAN;微动开关/日式枪用
10	IFT0860	EA0310	Spring for switch/PAN;弹簧/日式枪微动开关用
11	IZH0864	04260.44	Joint with spring;带弹簧球节
12	ICN0188-01	MH0633-01	Coaxial cable 3m;同轴电缆组/3m
13	IZH7065	FB2015	Gas connector for MIG torch/PAN;气管接头/日式
14	IFT0821	EA0376	Spring cable support;电缆支撑用弹簧/日式
15	IHJ0793	BW0248	Back box;后把套/日式
16	IFT0020	04260.44	Nut M4;六角螺母 M4
17	IFT0079	EA0024	Screw M4x20;螺丝 M4x20
18	IHQ0759	BX0254	Connector 2 holes/PAN;两芯航插/松下
19	IZT9009	FA4004	Connector with hexagonal nut 9/16-18;接头9/16-18六角螺母
20	IFT0803	EA0308	Spring for gas tube;气管用弹簧
21	IKH0669	QB0114	Epdm tube 4.8x10m;Epdm管4.8x10 米
22	IIC0510	GM0560	Green steel liner Φ1.0-1.2mm 3m ;带绝缘层送丝管Φ1.0-1.2mm/3m/绿色
23	ICG6000	191.0001	Spanner for MIG torches;MIG 焊枪扳手
24	ICG6007	MT1002	Spanner for PAN torch;日式枪用六角扳手
Complete Torch			
	ICT6230-36		MIG P350 torch 3m PAN;焊枪350 3米 日式
	ICT6236-36		MIG P350 torch 4m PAN;焊枪350 4米 日式
	ICT6237-36		MIG P350 torch 5m PAN;焊枪350 5米 日式

TORCH P500



Technical data	技术参数
Cooling 冷却方式	Gas Cooled 气冷
Duty cycle 35% 暂载率 35%	500Amp CO ₂ , 450Amp MIX
Wire Size 焊丝直径	Φ0.8-1.6mm



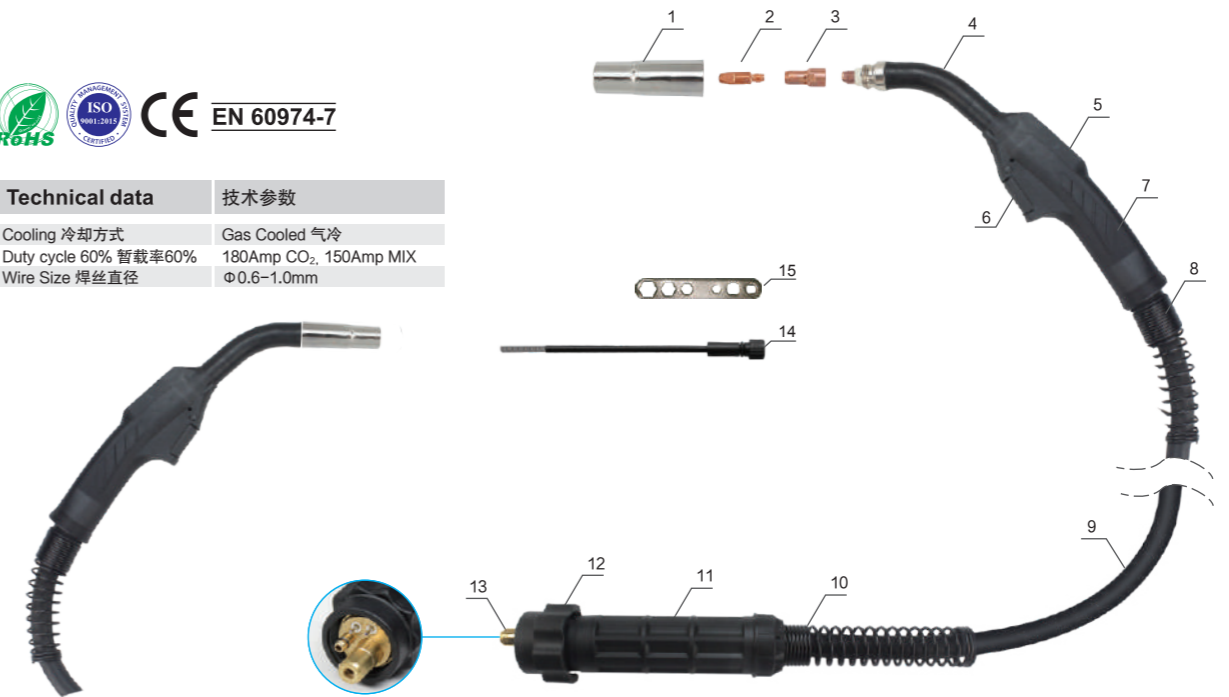
Position	Code	Ref.	Description
1	ICS0457	MC0952	Nozzle P500;喷嘴/日式 500
2	IFT0669	EA0114	Grower M25mm;发黑弹垫 M25mm
3	ICU0746-12	MD0291-12	Contact tip Φ 1.2mm E-CU/M6X45;导电嘴 Φ 1.2mm/M6X45
4	ICF0978	ME0423	Ceramic diffuser P500;陶瓷分流器 日式 500
5	ICS6603	MC1108	Insulator P500;绝缘筒/日式 500
6	ICZ0747	MF0291	Torch head P500;日式500 枪颈
6.1	ICF0975	ME0425	Torch head front part P500;枪颈前段 日式500
7	ICV0850-01	MP0350-01	MIG handle P350/500;MIG手柄 日式350/500
8	IFT0874	EA0329	Screw M3X10mm;螺丝 M3X10mm
9	IHQ0186	BX0631	Switch for MIG/PAN;微动开关/日式枪用
10	IFT0860	EA0310	Spring for switch/PAN;弹簧/日式枪微动开关用
11	IZH0864	04260.44	Joint with spring;带弹簧球节
12	ICN0180-01	MH0630-01	Coaxial cable 3m;同轴电缆组/3m
13	IZH7065	FB2015	Gas connector for MIG torch/PAN;气管接头/日式
14	IFT0821	EA0376	Spring cable support;电缆支撑用弹簧/日式
15	IHJ0793	BW0248	Back box;后把套/日式
16	IFT0020	04260.44	Nut M4;六角螺母 M4
17	IFT0079	EA0024	Screw M4X20;螺丝 M4X20
18	IHQ0759	BX0254	Connector 2 holes/PAN;两芯航插/松下
19	IZT9009	FA4004	Connector with hexagon nut/9/16-18;接头9/16-18六角螺母
20	IFT0803	EA0308	Spring for gas tube;气管用弹簧
21	IKH0669	QB0114	Epdm tube 4.8x10m;Epdm管4.8x10 米
22	IIC0518	GM0563	Black steel liner Φ 1.2-1.6mm 3m;带绝缘层送丝管 Φ 1.2-1.6mm/3m/黑色
23	ICG6000	191.0001	Spanner for MIG torches;MIG 焊枪扳手
24	ICG6007	MT1002	Spanner for PAN torch;日式枪用六角扳手
Complete Torch	ICT6240-36		MIG P500 torch 3m PAN;焊枪500 3米 日式
	ICT6246-36		MIG P500 torch 4m PAN;焊枪500 4米 日式
	ICT6247-36		MIG P500 torch 5m PAN;焊枪500 5米 日式

Note: About the registered trade mark, reference number of the model of the machine and spare parts, please see inner cover (company introduction)
注:关于注册商标、机器及配件的参考编号的注解,请见封面内页(公司简介)

ES 160



Technical data	技术参数
Cooling 冷却方式	Gas Cooled 气冷
Duty cycle 60% 暂载率60%	180Amp CO ₂ , 150Amp MIX
Wire Size 焊丝直径	Φ 0.6-1.0mm



Position	Code	Ref.	Description
1	ICS0411	MC0966	Gas nozzle threaded ES 160/Φ 13mm;喷嘴/ES 160/Φ 13mm
2	ICU0802-08	MD0307-08	Contact tip Φ 0.8mm/M6 × 27 × 7;导电嘴 Φ 0.8mm/M6 × 27 × 7
3	ICU0014	MD0069	Contact tip/holder ES 160;导电嘴座/ES 160
4	ICZ0055	MF0055	Torch head ES160/250;枪颈/ES160/250
5	IHJ0998	BW0443	Switch button/ES160/250;开关按钮/ES160/250
6	IHQ0269	BX0714	Switch base; 开关座
7	ICV0004	MP0009	Torch handle/black/ES160/250;手柄/黑色/ES160/250
8	IZH0864	FB0319	Joint with spring;带弹簧球节
9	ICN0663-19	MH0118-07	Coaxial cable 3M;同轴电缆组/3米
10	IFT0897	EA0342	Spring/cable support/black;电缆支撑用弹簧/black
11	IHJ0645	BW0195	Back box hole;二氧化碳欧式后把套
12	IHJ0070	BW0020	Gun plug nut;焊枪锁紧螺母/金属螺纹
13	ITB0012	AR0067	Euro central adapter body/gas;欧式中央接头/空冷
14	IIC0190	GM0640	Insulated steel liner Φ 0.6-0.8mm 3.5M black;带绝缘层送丝管 Φ 0.6-0.8mm 3.5M 黑色
15	ICG6000	191.0001	Spanner for MIG;MIG 焊枪扳手
Complete Torch			
	ICT1693		Mig torch ES 160/ 3m /with spring pin/euro type;焊枪 ES160/ 3米 弹性针/欧式
	ICT1694		Mig torch ES 160/ 4m /with spring pin/euro type;焊枪 ES160/ 4米 弹性针/欧式
	ICT1695		Mig torch ES 160/ 5m /with spring pin/euro type;焊枪 ES160/ 5米 弹性针/欧式

Note: About the registered trade mark, reference number of the model of the machine and spare parts, please see inner cover (company introduction)
注:关于注册商标、机器及配件的参考编号的注解,请见封面内页(公司简介)

ES 250



Technical data	技术参数
Cooling 冷却方式	Gas Cooled 气冷
Duty cycle 60% 暂载率60%	230Amp CO ₂ , 200Amp MIX
Wire Size 焊丝直径	Φ0.8-1.2mm



Position	Code	Ref.	Description
1	ICS0412	MC0967	Gas nozzle threaded ES 250/ Φ 14mm; 喷嘴/ES 250/ Φ 14mm
2	ICU0802-10	MD0307-10	Contact tip Φ 1.0mm/M6 × 27 × 7; 导电嘴 Φ 1.0mm/M6 × 27 × 7
3	ICU0015	MD0065	Contact tip/holder ES 250; 导电嘴座/ES 250
4	ICZ0055	MF0055	Torch head ES 160/250; 枪颈/ES 160/250
5	IHJ0998	BW0443	Switch button/ES 160/250; 开关按钮/ES 160/250
6	IHQ0269	BX0714	Switch base; 开关座
7	ICV0004	MP0009	Torch handle/black/ES 160/250; 手柄/黑色/ES 160/250
8	IZH0864	FB0319	Joint with spring; 带弹簧球节
9	ICN0664-19	MH0119-19	Coaxial cable 3M; 同轴电缆组/3米
10	IFT0897	EA0342	Spring/cable support/black; 电缆支撑用弹簧/black
11	IHJ0645	BW0195	Back box hole; 二氧化碳欧式后把套
12	IHJ0070	BW0020	Gun plug nut; 焊枪锁紧螺母/金属螺纹
13	ITB0012	AR0067	Euro central adapter body/gas; 欧式中央接头/空冷
14	IIC0193	GM0648	Insulated steel liner Φ 0.9-1.0mm 3.5M black; 带绝缘层送丝管 Φ 0.9-1.0mm 3.5M 黑色
15	ICG6000	191.0001	Spanner for MIG; MIG 焊枪扳手

Complete Torch			
	ICT1683		Mig torch ES 250/ 3m /with spring pin/euro type; 焊枪 ES 250/ 3米 弹性针/欧式
	ICT1684		Mig torch ES 250/ 4m /with spring pin/euro type; 焊枪 ES 250/ 4米 弹性针/欧式
	ICT1685		Mig torch ES 250/ 5m /with spring pin/euro type; 焊枪 ES 250/ 5米 弹性针/欧式

ES 305



Technical data	技术参数
Cooling 冷却方式	Gas Cooled 气冷
Duty cycle 60% 暂载率60%	290Amp CO ₂ , 260Amp MIX
Wire Size 焊丝直径	Φ0.8-1.2mm



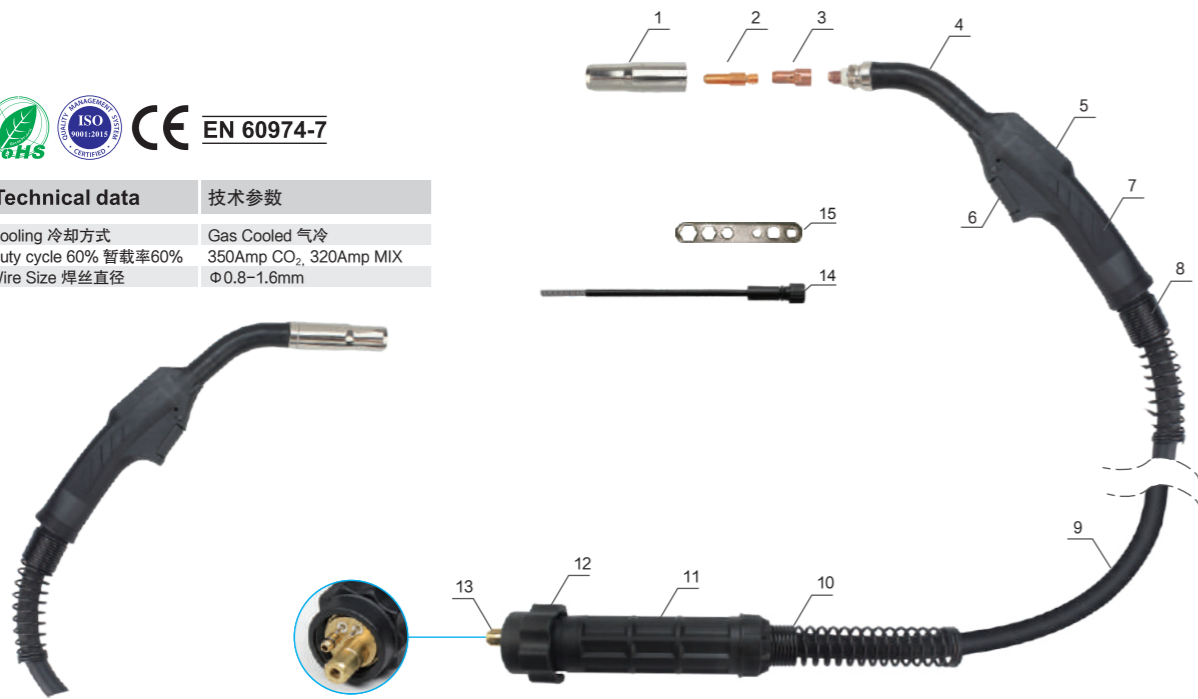
Position	Code	Ref.	Description
1	ICS0417	MC0962	Gas nozzle threaded ES 305; 喷嘴 ES 305
2	ICU0805-10	MD0305-10	Contact tip Φ 1.0mm/M8 × 37; 导电嘴 Φ 1.0mm/M8 × 37
3	ICF0098	ME0043	Gas diffuser M8/ES 305/315/400/405; 分流器 M8/ES 305/315/400/405
4	ICZ0059	MF0054	Torch head ES 305; 枪颈/ES 305
5	IHJ0997	BW0442	Switch button/ES 305/405; 开关按钮/ES 305/405
6	IHQ0269	BX0714	Switch base; 开关座
7	ICV0005	MP0005	Torch handle/black/ES 305/405; 手柄/黑色/ES 305/405
8	IZH0864	FB0319	Joint with spring; 带弹簧球节
9	ICN0696-19	MH0141-19	Coaxial cable/3M; 同轴电缆组/3米
10	IFT0897	EA0342	Spring/cable support/black; 电缆支撑用弹簧/black
11	IHJ0645	BW0195	Back box hole; 二氧化碳欧式后把套
12	IHJ0070	BW0020	Gun plug nut; 焊枪锁紧螺母/金属螺纹
13	ITB0012	AR0067	Euro central adapter body/gas; 欧式中央接头/空冷
14	IIC0150	GM0650	Insulated steel liner Φ 1.4mm 3.5M black; 带绝缘层送丝管 Φ 1.4mm 3.5M 黑色
15	ICG6000	191.0001	Spanner for MIG; MIG 焊枪扳手

Complete Torch			
	ICT1673		Mig torch ES 305/ 3m /with spring pin/euro type; 焊枪 ES 305/3米 弹性针/欧式
	ICT1674		Mig torch ES 305/ 4m /with spring pin/euro type; 焊枪 ES 305/4米 弹性针/欧式
	ICT1675		Mig torch ES 305/ 5m /with spring pin/euro type; 焊枪 ES 305/5米 弹性针/欧式

ES 405



Technical data	技术参数
Cooling 冷却方式	Gas Cooled 气冷
Duty cycle 60% 暂载率60%	350Amp CO ₂ 320Amp MIX
Wire Size 焊丝直径	Φ 0.8-1.6mm



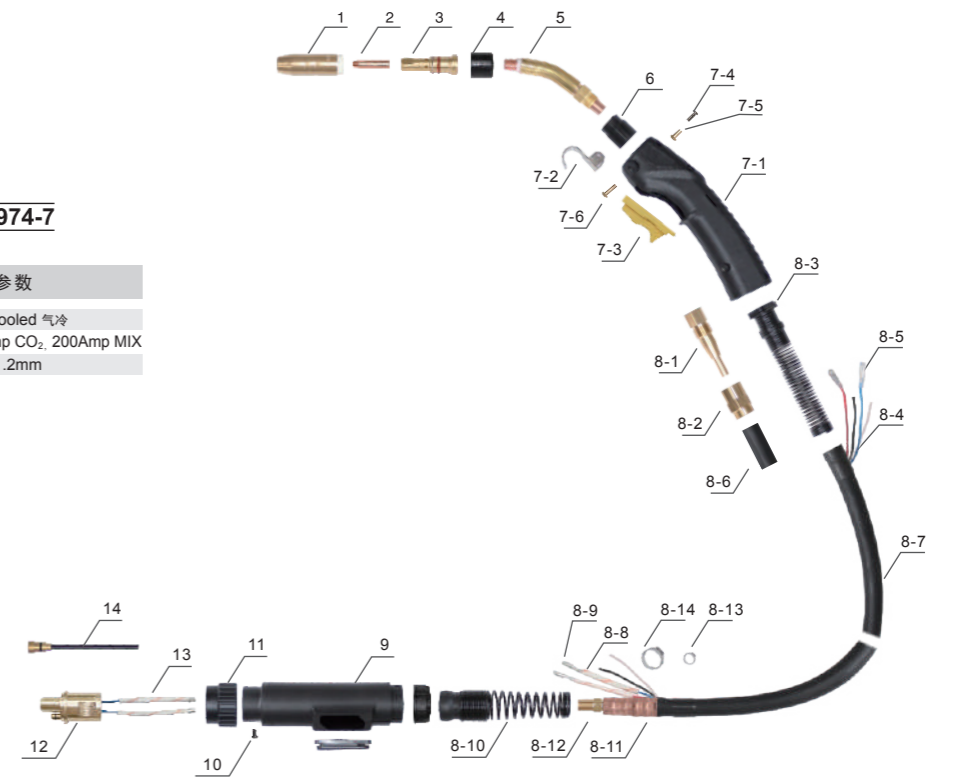
Position	Code	Ref.	Description
1	ICS0757	MC0252	Gas nozzle;喷嘴
2	ICU0805-12	MD0305-12	Contact tip Φ 1.2mm/M8 × 37;导电嘴 Φ 1.2mm/M8 × 37
3	ICF0098	ME0043	Gas diffuser M8/ES 305/315/400/405;分流器 M8/ES 305/315/400/405
4	ICZ0094	MF0049	Torch head ES 400/405;枪头/ES 400/405
5	IHJ0997	BW0442	Switch button/ES 305/405;开关按键/ES 305/405
6	IHQ0269	BX0714	Switch base;开关座
7	ICV0005	MP0005	Torch handle/black/ES 305/405;手柄/黑色/ES 305/405
8	IZH0864	FB0319	Joint with spring;带弹簧球节
9	ICN0616-19	MH0161-19	Coaxial cable 3M;同轴电缆组/3米
10	IFT0897	EA0342	Spring/cable support/black;电缆支撑用弹簧/black
11	IHJ0645	BW0195	Back box hole;二氧化碳欧式后把套
12	IHJ0070	BW0020	Gun plug nut;焊枪锁紧螺母/金属螺纹
13	ITB0012	AR0067	Euro central adapter body/gas;欧式中央接头/空冷
14	IIC0150	GM0650	Insulated steel liner Φ 1.4mm 3.5M black;带绝缘层送丝管 Φ 1.4mm 3.5M 黑色
15	ICG6000	191.0001	Spanner for MIG;MIG 焊枪扳手
Complete Torch			
	ICT1663		Mig torch ES 405/ 3m /with spring pin/euro type;焊枪 ES 405/ 3米 弹性针/欧式
	ICT1664		Mig torch ES 405/ 4m /with spring pin/euro type;焊枪 ES 405/ 4米 弹性针/欧式
	ICT1665		Mig torch ES 405/ 5m /with spring pin/euro type;焊枪 ES 405/ 5米 弹性针/欧式

Note: About the registered trade mark, reference number of the model of the machine and spare parts, please see inner cover (company introduction)
注:关于注册商标、机器及配件的参考编号的注解,请见封面内页(公司简介)

BND 200



Technical data	技术参数
Cooling 冷却方式	Gas Cooled 气冷
Duty cycle 60% 暂载率60%	230Amp CO ₂ 200Amp MIX
Wire Size 焊丝直径	Φ 0.8-1.2mm



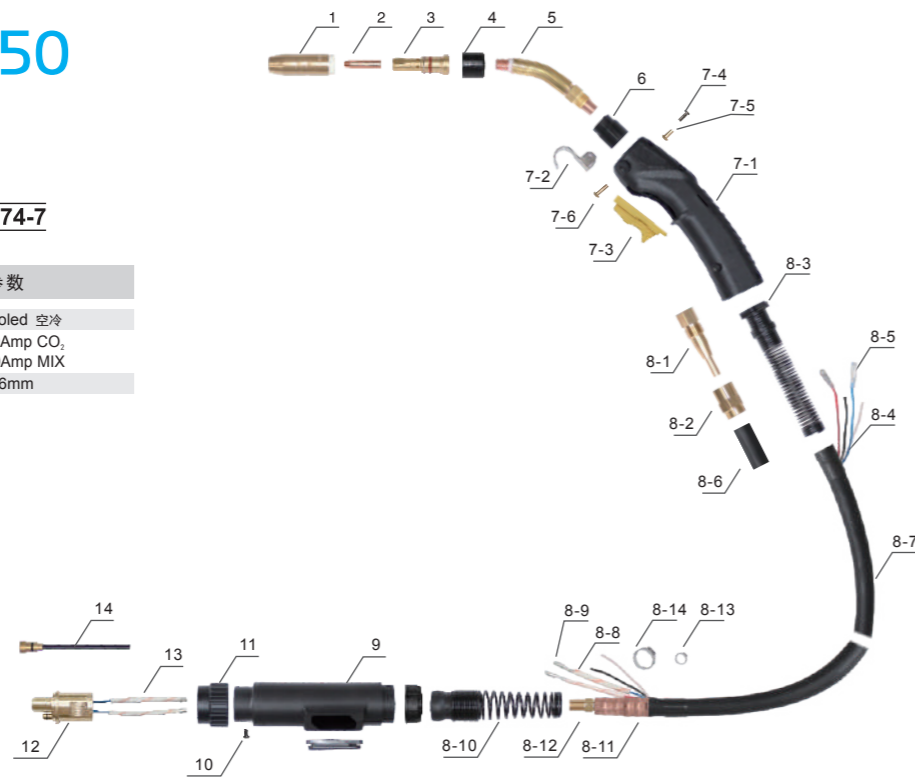
Position	Code	Ref.	Description
1	ICS0965	4392	Nozzle Φ 12.5MM brass bd 4392;喷嘴 Φ 12.5mm 黄铜 BD4392
2	ICU0765-10	MD0215-10	Contact tip Φ 1.0MM BD serie 74;导电嘴 Φ 1.0mm BD 74系列
3	ICF0660	4335	Diffuser BD 4335;分流器 BD 4335
4	IHQ0045	4323R	Insulator torchbody BND;枪颈绝缘圈 BND
5	ICZ0715	QT2-45	Torchhead/qt2/45degree;枪头/QT2/45度
6	IHQ0036	4780	Neck insulator 4780;枪颈绝缘套 4780
7-1	ICV0053	MP0058	Handle/black/BND;手柄/黑色/BND
7-2	IFT0972	EA0427	Hook/BND;挂钩/BND
7-3	IHQ0019	5662	Trigger for BND/5662/yellow;BND枪用开关/5662/黄色
7-4	IFT0616	EA0161	Screws M3.5x0.6-10;螺丝 M3.5x0.6-10
7-5	IFT0656	IFT0656	Nut M3.5x0.6-11 CH6.3/nickel plating;镍镀螺母 M3.5x0.6-11 CH6.3
7-6	IFT0650-01	EA0150-01	Nut M3.5x0.6-15 CH6.3/nickel plating;镍镀螺母 M3.5x0.6-15 CH6.3
8-1	ITY6700	4213B	Back Fitting Cable BD4213B;电缆接头 BD4213B
8-2	IFT9450	EA4950	Mut/BND200;螺母/BND200
8-3	IFT0839	EA0384	Cable support spring/BND300-400;电缆支撑用弹簧/BND300-400
8-4	IHQ0700	185.0031	Female trigger wire connector;开关控制线接插件(母)
8-5	IHQ0708	BX0203	Insulator for connector;接插件(母)用塑料绝缘套管
8-6	ICK0876	MQ0321	Heat shrink tubing;热缩管 Φ 25mm/米
8-7	ICN0296	MH0741	Coaxial cable 3.6m/4wires;同轴电缆组/3.6米/4芯控制线
8-8	IHQ0090	BX0040	Insulator tube/Φ 3 M;黄蜡管/Φ 30mm/米
8-9	IHQ0740	BX0290	Preinsulated Male Cylindrical Plug;圆柱状控制线接插件(公)
8-10	IZH0864	FB0319	Joint With Spring;带弹簧球节
8-11	ISG0977	CT0422	Rings For Cable Clamping D19.3X21.3X42;电缆压接用铜圈 D19.3X21.3X42
8-12	ITY0690	AU0140	Back fitting cable/BND;电缆接头/BND
8-13	IFT0739	EA0284	Clamp Φ 11.5mm;卡箍 Φ 11.5mm
8-14	IFT0720	EA0270	Clamp Φ 20mm;卡箍 Φ 20mm
9	IHJ0713	BW0268	Back box for air cooling;空冷枪后把套
10	IFT0063	EA0018	Screw M4X6 UNI 6107;螺丝 M4X6 UNI 6107
11	IHJ0078	BW0023	Gun plug nut/BINZEL TYPE/brass screw;焊枪锁紧螺母/BINZEL式/铜螺母
12	ITB0035	AR0085	Assembly of euro centre adaptor/BND;欧式中央接头组件/BND
13	IHQ0050	BX0050	Insulator tube/Φ 5 M;黄蜡管/Φ 5 米
14	IIC0099-01	GM0044-01	Liner 4 m - 0.9-1.2 mm;钢送丝管 4m - 0.9-1.2 mm
Complete Torch			
	ICT5730		Torch BND200/3.6m;焊枪/BND200/3.6米
	ICT5736		Torch BND200/4.6m;焊枪/BND200/4.6米

Note: About the registered trade mark, reference number of the model of the machine and spare parts, please see inner cover (company introduction)
注:关于注册商标、机器及配件的参考编号的注解,请见封面内页(公司简介)

BND 300/350



Technical data	技术参数
Cooling 冷却方式	Gas Cooled 空冷
Duty cycle 60% 暂载率60%	300/350Amp CO ₂ , 250/300Amp MIX
Wire Size 焊丝直径	Φ0.6-1.6mm



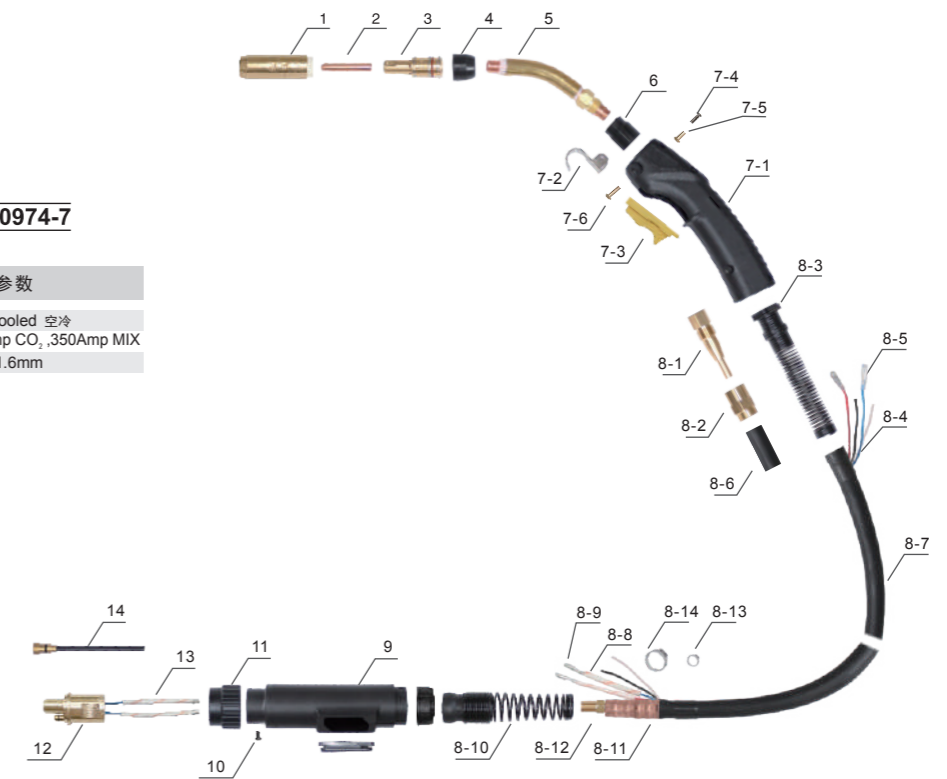
Position	Code	Ref.	Description
1	ICS0965	4392	Nozzle Φ12.5MM brass bd 4392;喷嘴 Φ12.5mm 黄铜 BD4392
2	ICU0765-16	7491	Contact tip Φ1.6MM bd serie 74;导电嘴 Φ1.6mm BD 74系列
3	ICF0660	4335	Diffuser BD 4335;分流器 BD 4335
4	IHJ0045	4323R	Insulator torchbody BND;枪颈绝缘圈 BND
5	ICZ0715	QT2-45	Torchhead/qt2/45degree;枪颈/QT2/45度
6	IHJ0036	4780	Neck insulator 4780;枪颈绝缘套 4780
7-1	ICV0053	MP0058	Handle/black/BND;手柄/黑色/BND
7-2	IFT0972	EA0427	Hook/BND;挂钩/BND
7-3	IHQ0019	5662	Trigger for BND/5662/yellow;BND枪用开关/5662/黄色
7-4	IFT0616	EA0161	Scrw M3.5x0.6-10;螺丝 M3.5x0.6-10
7-5	IFT0656	IFT0656	Nut M3.5x0.6-11 CH6.3/nickel plating;镀锌螺母 M3.5x0.6-11 CH6.3
7-6	IFT0650-01	EA0150-01	Nut M3.5x0.6-15 CH6.3/nickel plating;镀锌螺母 M3.5x0.6-15 CH6.3
8	ICN0126	MH0671	Coaxial cable 4.6M/4wires;同轴电缆组/4.6米/4芯控制线
8-1	ITY6700	4213B	Back Fitting Cable BD4213B;电缆接头 BD4213B
8-2	IFT0930	EA0480	Mut/BND;螺母/BND
8-3	IFT0839	EA0384	Cable suppor spring/BND300-400;电缆支撑用弹簧/BND300-400
8-4	IHQ0700	185.0031	Female trigger wire connector;开关控制线接插件(母)
8-5	IHQ0708	BX0203	Insulator for connector;接插件(母)用塑料绝缘套管
8-6	ICK0876	MQ0321	Heat shrink tubing;热缩管 Φ25mm/米
8-7	ICN0376	MH0821	Coaxial cable 4.6m/4wires;同轴电缆/4.6米/4芯控制线
8-8	IHQ0090	BX0040	Insulator tube/Φ3 M;黄蜡管/Φ30mm/米
8-9	IHQ0740	BX0290	Preinsulated Male Cylindrical Plug;圆柱状控制线接插件(公)
8-10	IZH0864	FB0319	Joint With Spring;带弹簧球节
8-11	ISG0977	CT0422	Rings For Cable Clamping D19.3X21.3X42;电缆压接用铜圈 D19.3X21.3X42
8-12	ITY0690	AU0140	Back fitting cable/BND;电缆接头/BND
8-13	IFT0739	EA0284	Clamp Φ11.5mm;卡箍 Φ11.5mm
8-14	IFT0720	EA0270	Clamp Φ20mm;卡箍 Φ20mm
9	IHJ0713	BW0268	Back box for air cooling;空冷枪后把套
10	IFT0063	EA0018	Screw M4X6 UNI 6107;螺丝 M4X6 UNI 6107
11	IHJ0078	BW0023	Gun plug nut/BINZEL TYPE/brass screw;焊枪锁紧螺母/BINZEL式/铜螺母
12	ITB0035	AR0085	Assembly of euro centre adaptor/BND;欧式中央插头组件/BND
13	IHQ0050	BX0050	Insulator tube/Φ5 M;黄蜡管/Φ5 米
14	IIC0095	44215	Liner 4.5 m - 1.2-1.6 mm.(44215);钢送丝管 4.5 m - 1.2-1.6 mm(44215)
Complete Torch	ICT5770		Torch BND300-350/3.6m;焊枪/BND300-350/3.6米
	ICT5776		Torch BND300-350/4.6m;焊枪/BND300-350/4.6米

Note: About the registered trade mark, reference number of the model of the machine and spare parts, please see inner cover (company introduction)
注:关于注册商标、机器及配件的参考编号的注解,请见封面内页(公司简介)

BND 400



Technical data	技术参数
Cooling 冷却方式	Gas Cooled 空冷
Duty cycle 60% 暂载率60%	400Amp CO ₂ , 350Amp MIX
Wire Size 焊丝直径	Φ0.9-1.6mm



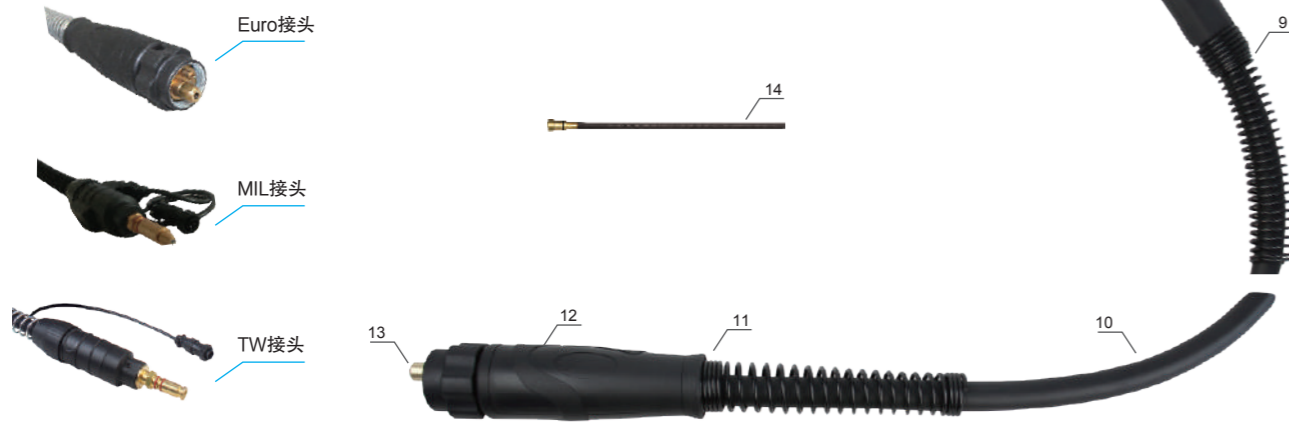
Position	Code	Ref.	Description
1	ICS0970	4491	Nozzle Φ19mm brass BD4491;喷嘴 Φ19mm 黄铜 BD4491
2	ICU0769-16	1591	Contact tip Φ1.6Φ BD SERIE 74;导电嘴 Φ1.6mm BD 15系列
3	ICF0667	4635	Diffuser gas BD 4635;分流器 BD 4635
4	IHJ0042	4423	Nozzle insulatory/BND/4423;喷嘴绝缘件/BND/4423
5	ICZ0710	4790	Torchhead/4790;枪颈/BND400/4790
6	IHJ0036	4780	Neck insulator 4780;枪颈绝缘套 4780
7-1	ICV0053	MP0058	Handle/black/BND;手柄/黑色/BND
7-2	IFT0972	EA0427	Hook/BND;挂钩/BND
7-3	IHQ0019	5662	Trigger for BND/5662/yellow;BND枪用开关/5662/黄色
7-4	IFT0616	EA0161	Scrw M3.5x0.6-10;螺丝 M3.5x0.6-10
7-5	IFT0656	IFT0656	Nut M3.5x0.6-11 CH6.3/nickel plating;镀锌螺母 M3.5x0.6-11 CH6.3
7-6	IFT0650-01	EA0150-01	Nut M3.5x0.6-15 CH6.3/nickel plating;镀锌螺母 M3.5x0.6-15 CH6.3
8	ICN0136	MH0681	Coaxial cable 4.6M/4WIRES;同轴电缆组/4.6米/4芯控制线
8-1	ITY6700	4213B	Back fitting cable BD4213B;电缆接头 BD4213B
8-2	IFT0937	EA0482	Mut/BND;螺母/BND
8-3	IFT0839	EA0384	Cable suppor spring/BND300-400;电缆支撑用弹簧/BND300-400
8-4	IHQ0700	185.0031	Female trigger wire connector;开关控制线接插件(母)
8-5	IHQ0708	BX0203	Insulator for connector;接插件(母)用塑料绝缘套管
8-6	ICK0876	MQ0321	Heat shrink tubing;热缩管 Φ25mm/米
8-7	ICN0956	MH0451	Coaxial cable 4.6M/4wires;同轴电缆/4.6米/4芯控制线
8-8	IHQ0090	BX0040	Insulator tube/Φ3 M;黄蜡管/Φ30mm/米
8-9	IHQ0740	BX0290	Preinsulated male cylindrical plug;圆柱状控制线接插件(公)
8-10	IZH0864	FB0319	Joint with spring;带弹簧球节
8-11	ISG0977	CT0422	Rings for cable clamping D19.3X21.3X42;电缆压接用铜圈 D19.3X21.3X42
8-12	ITY0690	AU0140	Back fitting cable/BND;电缆接头/BND
8-13	IFT0739	EA0284	Clamp Φ11.5mm;卡箍 Φ11.5mm
8-14	IFT0720	EA0270	Clamp Φ20mm;卡箍 Φ20mm
9	IHJ0713	BW0268	Back box for air cooling;空冷枪后把套
10	IFT0063	EA0018	Screw M4X6 UNI 6107;螺丝 M4X6 UNI 6107
11	IHJ0078	BW0023	Gun Plug Nut/BINZEL TYPE/brass screw;焊枪锁紧螺母/BINZEL式/铜螺母
12	ITB0035	AR0085	Assembly of euro centre adaptor/BND;欧式中央插头组件/BND
13	IHQ0050	BX0050	Insulator tube/Φ5 M;黄蜡管/Φ5 米
14	IIC0095	44215	Liner 4.5 m-1.2-1.6 mm.(44215);钢送丝管 4.5 m-1.2-1.6 mm(44215)
Complete Torch	ICT5780		Torch BND400/3.6m;焊枪 BND400/3.6米
	ICT5786		Torch BND400/4.6m;焊枪 BND400/4.6米

Note: About the registered trade mark, reference number of the model of the machine and spare parts, please see inner cover (company introduction)
注:关于注册商标、机器及配件的参考编号的注解,请见封面内页(公司简介)

TRG 300



Technical data	技术参数
Cooling 冷却方式	Gas Cooled 气冷
Duty cycle 60% 暂载率60%	300Amp CO ₂ , 250Amp MIX
Wire Size 焊丝直径	Φ0.8-1.6mm



Position	Code	Ref.	Description
1	ICS0845	MC0395	Nozzle insulated Φ5/8" /TG 401-4-62;绝缘喷嘴 Φ5/8" /TREGAKISS 401-4-62
2	ICU0775-10		导电嘴 D1.0 HD TG 403-10
3	ICU0033		TRG 导电嘴座/404
4	ICF0641		TRG 分流器/402-3
5	IFT9386	EA4831	TRG 枪颈铝合金帽
6	ICZ0618-01	MF0163-01	TRG300 枪颈套件 60° /不带挂钩
7	ICV0625	MP0175	TRG 手柄;TRG handle
8	IHQ0285	BX0735	TRG 开关;TRG trigger
9	IFT8198	EA3643	TRG 电缆小弹簧 Φ2.3 L=156
10	ICN0400-01	MH0900-01	同轴电缆组/3米/4芯控制线/TRG/欧式枪尾
11	IFT0824-04	EA0379-04	Spring cable support/TW/black;电缆支撑用弹簧/TW/黑色
12	IHJ0872	BW0327	Back box hole/MX1350/450/with closing ring;气冷后把套/MX1350/450(含锁紧环)
13	ITB0038	AR0083	Central adaptor/plug/TW/euro M12x1/spring pins;中央接头/TW/euro M12x1/弹性针
14	IIC0009-03	GM0004-03	Steel line 3.4M 0.9-1.2 TW(44354515);TW送丝管 3.4M 0.9-1.2(44354515)无钢印

Complete Torch	Code	Description
M-ICT112E30A		TRG300 GUN/3.6M/Euro adaptor;TRG300/3.6M/欧式中央接头
M-ICT115E30A		TRG300 GUN/4.6M/Euro adaptor;TRG300/4.6M/欧式中央接头
M-ICT112L30A		TRG300 GUN/3.6M/LCN adaptor;TRG300/3.6M/林肯接头
M-ICT115L30A		TRG300 GUN/4.6M/LCN adaptor;TRG300/4.6M/林肯接头
M-ICT112M30A		TRG300 GUN/3.6M/ML adaptor;TRG300/3.6M/ML接头
M-ICT115M30A		TRG300 GUN/4.6M/ML adaptor;TRG300/4.6M/ML接头
M-ICT112T30A		TRG300 GUN/3.6M/TW adaptor;TRG300/3.6M/TW接头
M-ICT115T30A		TRG300 GUN/4.6M/TW adaptor;TRG300/4.6M/TW接头

TRG 400



Technical data	技术参数
Cooling 冷却方式	Gas Cooled 气冷
Duty cycle 60% 暂载率60%	400Amp CO ₂ , 350Amp MIX
Wire Size 焊丝直径	Φ0.8-2.0mm



Position	Code	Ref.	Description
1	ICS0841	MC0396	Nozzle insulated Φ5/8" /TG 401-6-62;绝缘喷嘴 Φ5/8" /tregakiss 401-6-62
2	ICU0770-16	MD0220-16	Contact tip/D1.6 HD TG 403-1-116;导电嘴/D1.6 HD TG 403-1-116
3	IZH0679	FB0124	Tregaskiss diffuser 400A/404-3;Tregaskiss 分流器 400A/404-3
4	IFT9386	EA4831	TRG 枪颈铝合金帽
5	ICZ0616-01		TRG400 枪颈套件 60° /不带挂钩
6	ICV0625	MP0175	TRG 手柄;TRG handle
7	IHQ0285	BX0735	TRG 开关;TRG trigger
8	IFT8196	EA3641	TRG 电缆大弹簧 Φ2.3 L=166
9	ICN0409-01		同轴电缆组/3米/4芯控制线/TRG/欧式枪尾
10	IFT0824-04	EA0379-04	Spring cable support/TW/black;电缆支撑用弹簧/TW/黑色
11	IHJ0872	BW0327	Back box hole/MX1350/450/with closing ring;气冷后把套/MX1350/450(含锁紧环)
12	ITB0038	AR0083	Central adaptor/plug/TW/euro M12x1/spring pins;中央接头/TW/euro M12x1/弹性针
13	IIC0068-06	GM0013-06	Steel line 3.4M 1.2-1.6 TW;TW送丝管 3.4M 1.2-1.6

Complete Torch	Code	Description
M-ICT112E40A		TRG400 GUN/3.6M/Euro adaptor;TRG400/3.6M/欧式中央接头
M-ICT115E40A		TRG400 GUN/4.6M/Euro adaptor;TRG400/4.6M/欧式中央接头
M-ICT112L40A		TRG400 GUN/3.6M/LCN adaptor;TRG400/3.6M/林肯接头
M-ICT115L40A		TRG400 GUN/4.6M/LCN adaptor;TRG400/4.6M/林肯接头
M-ICT112M40A		TRG400 GUN/3.6M/ML adaptor;TRG400/3.6M/ML接头
M-ICT115M40A		TRG400 GUN/4.6M/ML adaptor;TRG400/4.6M/ML接头
M-ICT112T40A		TRG400 GUN/3.6M/TW adaptor;TRG400/3.6M/TW接头
M-ICT115T40A		TRG400 GUN/4.6M/TW adaptor;TRG400/4.6M/TW接头

TRG 500



Technical data	技术参数
Cooling 冷却方式	Gas Cooled 气冷
Duty cycle 60% 暂载率60%	500Amp CO ₂ , 400Amp MIX
Wire Size 焊丝直径	Φ0.9-2.0mm



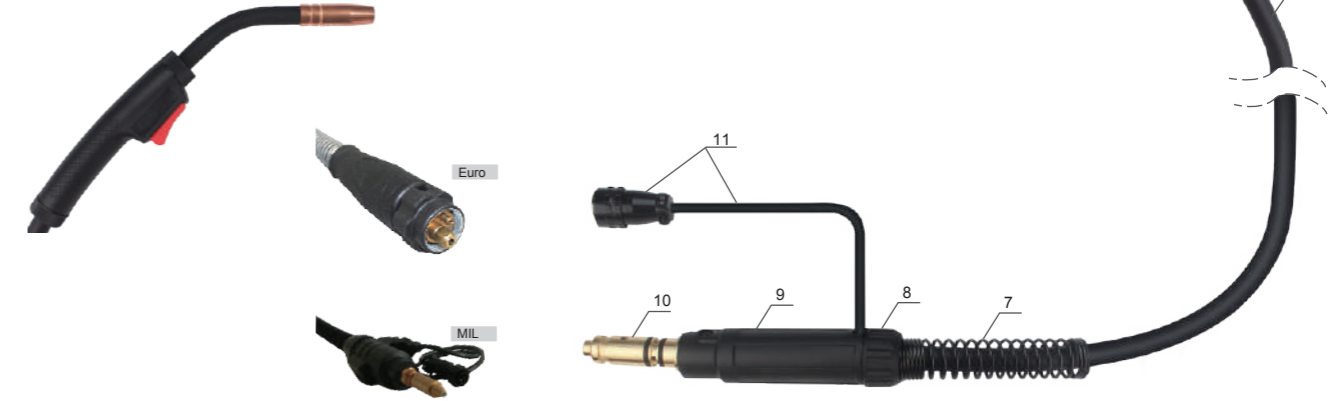
Position	Code	Ref.	Description
1	ICS0841	MC0396	Nozzle insulated Φ5/8" /TG 401-6-62;绝缘喷嘴 Φ5/8" /tregaskiss 401-6-62
2	ICU0770-16	MD0220-16	Contact tip/D1.6 HD TG 403-1-116;导电嘴/D1.6 HD TG 403-1-116
3	IZH0679	FB0124	Tregaskiss diffuser 400A/404-3;Tregaskiss 分流器 400A/404-3
4	IFT9386	EA4831	TRG 枪颈铝合金帽
5	ICZ0617-01		TRG500 枪颈套件 60° /不带挂钩
6	ICV0625	MP0175	TRG 手柄;TRG handle
7	IHQ0285	BX0735	TRG 开关;TRG trigger
8	IFT8196	EA3641	TRG 电缆大弹簧 Φ2.3 L=166
9	ICN0414-01		同轴电缆组/3米/4芯控制线/TRG/欧式枪尾
10	IFT0824-04	EA0379-04	Spring cable support/TW/black;电缆支撑用弹簧/TW/黑色
11	IHJ0872	BW0327	Back box hole/MX1350/450/with closing ring;气冷后把套/MX1350/450(含锁紧环)
12	ITB0038	AR0083	Central adaptor/plug/TW/euro M12x1/spring pins;中央接头/TW/euro M12x1/弹性针
13	IIC0068-06	GM0013-06	Steel line 3.4M 1.2-1.6 TW;TW送丝管 3.4M 1.2-1.6

Complete Torch	Code	Description
M-ICT112E50A		TRG500 GUN/3.6M/Euro adaptor;TRG500/3.6M/欧式中央接头
M-ICT115E50A		TRG500 GUN/4.6M/Euro adaptor;TRG500/4.6M/欧式中央接头
M-ICT112L50A		TRG500 GUN/3.6M/LCN adaptor;TRG500/3.6M/林肯接头
M-ICT115L50A		TRG500 GUN/4.6M/LCN adaptor;TRG500/4.6M/林肯接头
M-ICT112M50A		TRG500 GUN/3.6M/ML adaptor;TRG500/3.6M/ML接头
M-ICT115M50A		TRG500 GUN/4.6M/ML adaptor;TRG500/4.6M/ML接头
M-ICT112T50A		TRG500 GUN/3.6M/TW adaptor;TRG500/3.6M/TW接头
M-ICT115T50A		TRG500 GUN/4.6M/TW adaptor;TRG500/4.6M/TW接头

TW180



Technical data	技术参数
Cooling 冷却方式	Gas Cooled 气冷
Duty cycle 60% 暂载率60%	180Amp CO ₂ , 150Amp MIX
Wire Size 焊丝直径	Φ0.6-0.8mm



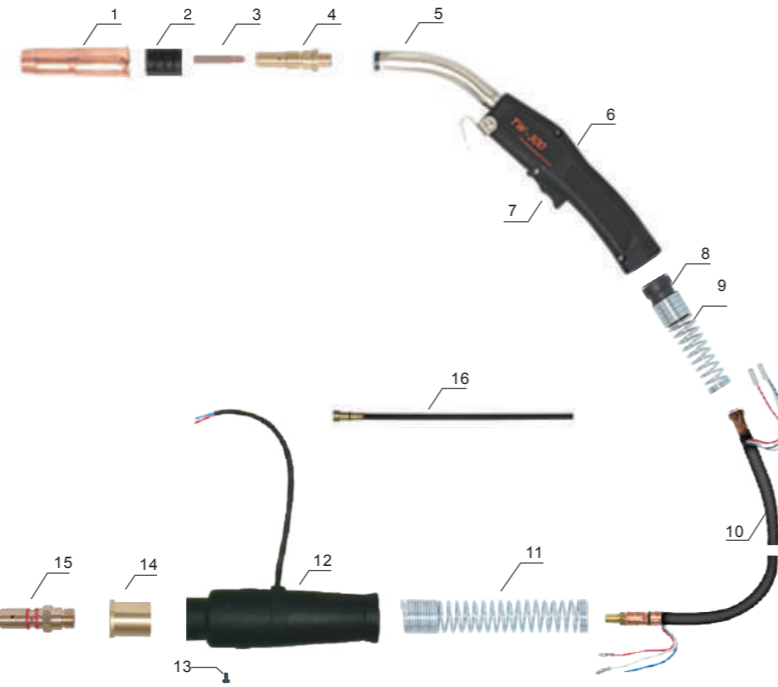
Position	Code	Ref.	Description
1	ICS0086	21-50	Gas nozzle Φ13X53MM TW1/21-50;喷嘴 Φ13X53MM TW1/21-50
2	ICU0762-08	11-30	Contact tip 0.8/M6X1(11-30);导电嘴 0.8/M6X1(11-30)
3	ICZ0087-06	MF0032-06	Gun head 15AK/TW1;枪颈 15AK/TW1美式
4	ICV0057	MP0052	Torch grip handle/MAXI 150;MAXI 150手柄
5	IHQ0073-01	BX0028-01	Trigger dark red 22.2MM;焊枪用开关 深红色22.2MM
6	ICN6760-05	MH1210-05	Coaxial cable assembling/MINI15 3M;小15枪同轴电缆组/3米
7	IFT8182	EA3637	Spring support/front/M100/150;弹簧支撑/后/米勒M100/150
8	IHJ0098	BW0043	Gun plug nut for tw1/black/PA66+30%GF;TW1后把套锁紧螺母/黑色/PA66+GF30%GF
9	IHJ0967	BW0412	Back box hole/tw1/black/PA66+GF30%GF;TW1后把套/黑色/PA66+GF30%GF
10	ITY2058	AU7053	Connetcing adapter/TW1/M10 × 1.0; 转接头连杆/TW1/M10 × 1.0
11	IHQ0742-01	BX0297-01	Connector ML/KIT;四芯航插套件/米勒
12	IIC0798	GM0243	Liner/Φ1.6 × Φ4 × Φ4.5/3.1M/MIL nipple;送丝管/Φ1.6 × Φ4 × Φ4.5/3.1M/米勒接头
13	ICG6000	191.0001	Spanner for MIG;MIG 焊枪扳手

Complete Torch	Code	Description
ICT5600		TW1 Torch 3m;TW1枪 3m
ICT5606		TW1 Torch 4m;TW1枪 4m
ICT5607		TW1 Torch 4.6m;TW1枪 4.6m
ICT5615		TW1 Torch 3m Euro adaptor;TW1枪 3米 欧式中央插头
ICT5611		TW1 Torch 4m Euro adaptor;TW1枪 4米 欧式中央插头
ICT5612		TW1 Torch 4.6m Euro adaptor;TW1枪 4.6米 欧式中央插头
ICT5613		TW1 Torch 3m MIL adaptor;TW1 枪 3米 米勒后接口
ICT5614		TW1 Torch 4m MIL adaptor;TW1 枪 4米 米勒后接口
ICT5620		TW1 Torch 4.6m MIL adaptor;TW1 枪 4.6米 米勒后接口

TW200



Technical data		技术参数	
Cooling 冷却方式	Gas Cooled 气冷	Duty cycle 60% 暂载率60%	200Amp CO ₂ , 150Amp MIX
Wire Size 焊丝直径	Φ0.6-1.2mm		

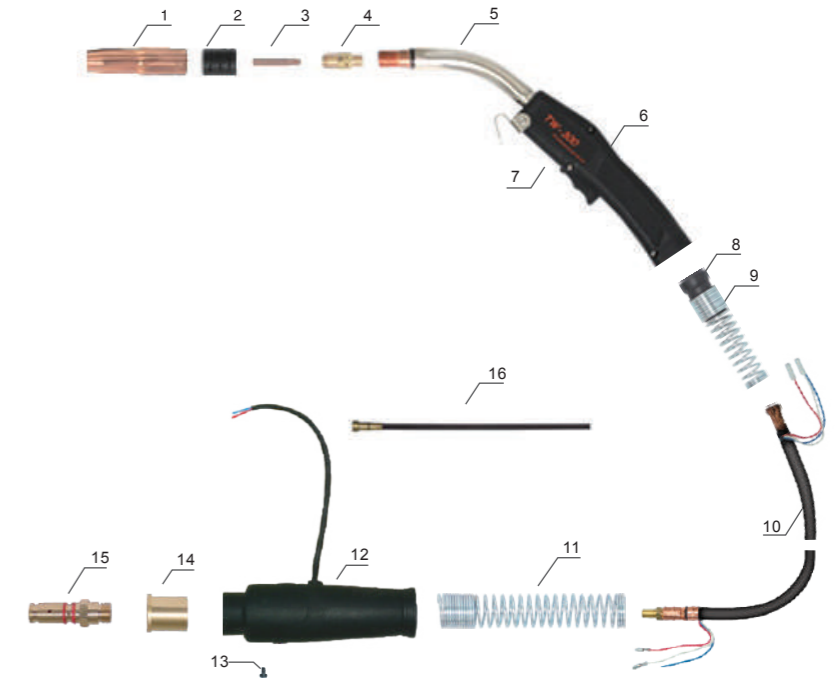


Position	Code	Ref.	Description
1	ICS0789	22-50	Gas nozzle Φ12.7mm;喷嘴 Φ12.7mm
2	ICK0680	32	Insulator;绝缘筒
3	ICU0008-09	14-35	Contact tip 0.035' ;导电嘴 0.035'
4	ICF0077	52	Diffuser;分流器
5	ICZ0691-02	62J-45	Torch head 45GR/62J-45/Nickel-Plated outer tube /With fitting 枪头 45GR/62J-45/镀镍外管/带接头
6	ICV0792	83	MIG handle with screw;MIG手柄带螺丝
7	IHQ0063	81	Trigger switch assembly;开关套件
8	IHJ0787	BW0232	Joint for TW1-4;手柄用球头/TW1-4
9	IFT0890-01	EA0340-01	Spring for cable support/Zin/TW;电缆支撑用弹簧/镀白锌/TW
10	ICN0798-300		Cable assembly/3M;电缆组/3米
11	IFT0824-01	EA0379-01	Spring for cable support/Blue and white zinc plating;电缆支撑用弹簧/镀蓝白锌
12	IHJ0696	BW0141	Back box with closing ring;后把套/含锁紧环
13	IFT0063	EA0018	Screw M4x6;螺丝 M4x6
14	IZH7051	FB2056	Continental adapter / MIL M10X1;欧式转换接头/米勒 M10X1
15	ITO0092	AS0047	Connetecing adaptor TW1-4;转接头连杆/TW1-4
16	IIC0067-06	GM0012-06	Steel line 3.4M 1.0-1.2 TW;TW送丝管 3.4M 1.0-1.2
Complete Torch			
	ICT5700		TW2 Torch 3m;TW2枪 3米
	ICT5706		TW2 Torch 4m;TW2枪 4米
	ICT5707		TW2 Torch 4.6m;TW2枪 4.6米
	ICT5715		TW2 Torch 3m euro adaptor;TW2枪 3米/欧式中央插头
	ICT5711		TW2 Torch 4m euro adaptor;TW2枪 4米/欧式中央插头
	ICT5712		TW2 Torch 4.6m euro adaptor;TW2枪 4.6米/欧式中央插头
	ICT5713	M210-3035	TW2 Torch 3m MIL adaptor;TW2枪 3米 米勒后接口
	ICT5714	M212-3035	TW2 Torch 4m MIL adaptor;TW2枪 4米 米勒后接口
	ICT5720	M215-3035	TW2 Torch 4.6m MIL adaptor;TW2枪 4.6米 米勒后接口

TW300



Technical data		技术参数	
Cooling 冷却方式	Gas Cooled 气冷	Duty cycle 60% 暂载率60%	300Amp CO ₂ , 250Amp MIX
Wire Size 焊丝直径	Φ0.8-1.6mm		

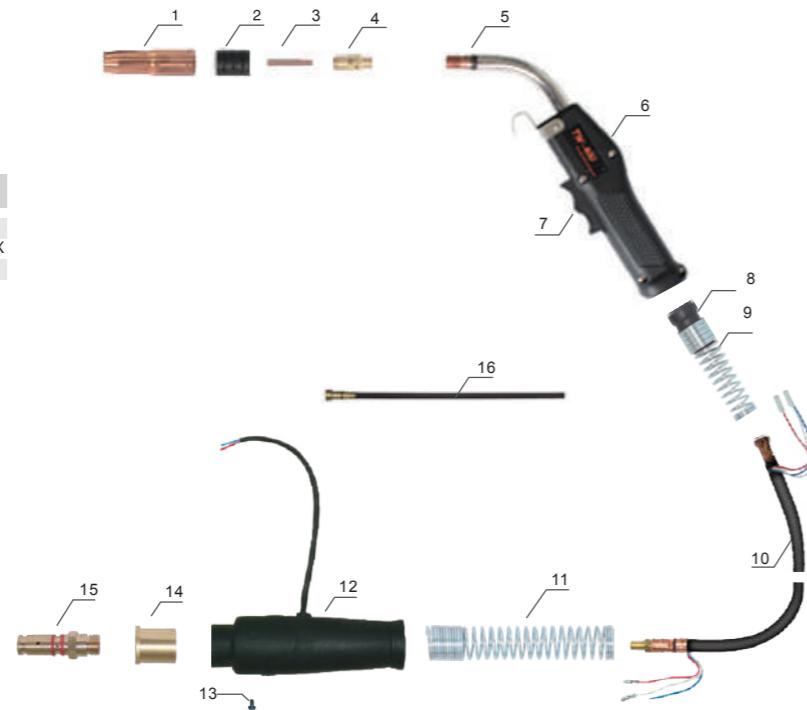


Position	Code	Ref.	Description
1	ICS0691	24A-62	Gas nozzle Φ16mm;喷嘴 Φ16mm
2	ICK0686	34A	Insulator;绝缘筒
3	ICU0008-12	14-45	Contact tip 0.045' ;导电嘴 0.045'
4	ICF0070	54A	Diffuser;分流器
5	ICZ0694-01	63J-45	Conductor tube 45° ;枪颈 45°
6	ICV0792	83	MIG handle with screw;MIG手柄带螺丝
7	IHQ0063	92	Trigger Kit;开关套件
8	IHJ0787	BW0232	JOINT FOR TW1-4;手柄用球头/TW1-4
9	IFT0890-01	EA0340-01	Spring for cable support/Zin/TW;电缆支撑用弹簧/镀白锌/TW
10	ICN0900	MH0400	Cable assembly/3M;电缆组/3米
11	IFT0824	EA0379	Spring for cable support/Blue and white zinc plating;电缆支撑用弹簧/镀蓝白锌
12	IHJ0872	BW0327	Back box with closing ring;后把套/含锁紧环
13	IFT0063	EA0018	Screw M4x6;螺丝 M4x6
14	IZH7051	FB2056	Continental adapter / MIL M10X1; 欧式转换接头/米勒M10X1
15	ITO0092	AS0047	Connetecing adaptor TW1-4;转接头连杆/TW1-4
16	IIC0067-06	GM0012-06	Steel line 3.4M 1.0-1.2 TW;TW送丝管 3.4M 1.0-1.2
Complete Torch			
	ICT5800	310-3545	TW3 Torch 3m;TW3枪 3米
	ICT5806	312-3545	TW3 Torch 4m;TW3枪 4米
	ICT5807	315-3545	TW3 Torch 4.6m;TW3枪 4.6米
	ICT5815	X310-3545	TW3 Torch 3m euro adaptor;TW3枪 3米 欧式中央插头
	ICT5811	X312-3545	TW3 Torch 4m euro adaptor;TW3枪 4米 欧式中央插头
	ICT5812		TW3 Torch 4.6m euro adaptor;TW3枪 4.6米 欧式中央插头
	ICT5813	M310-3545	TW3 Torch 3m MIL adaptor;TW3枪 3米 米勒后接口
	ICT5814	M312-3545	TW3 Torch 4m MIL adaptor;TW3枪 4米 米勒后接口
	ICT5820	M315-3545	TW3 Torch 4.6m MIL adaptor;TW3枪 4.6米 米勒后接口

TW400



Technical data		技术参数	
Cooling 冷却方式	Gas Cooled 气冷	Duty cycle 60% 暂载率60%	400Amp CO ₂ , 350Amp MIX
Wire Size 焊丝直径	Φ0.8-2.0mm		

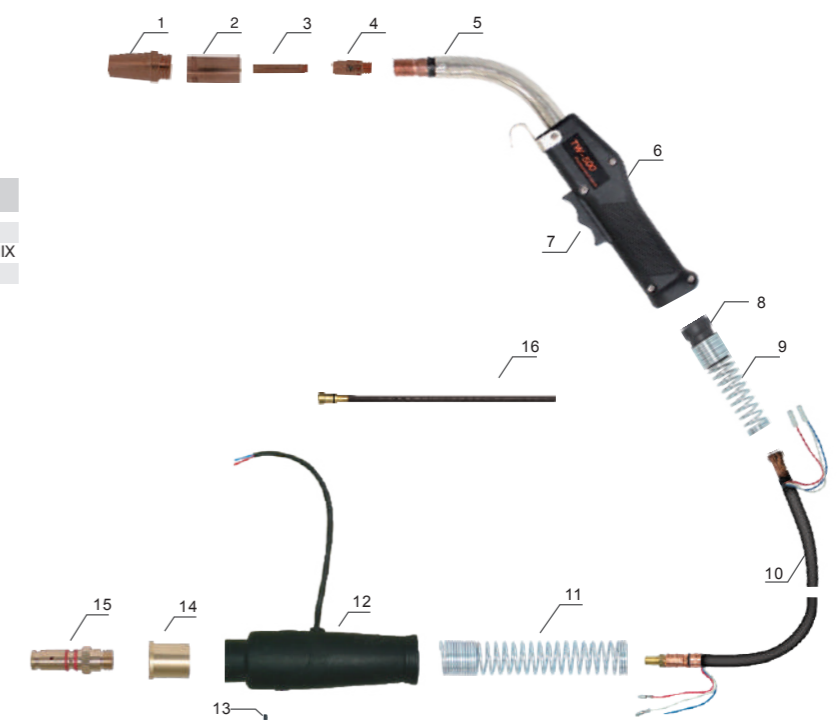


Position	Code	Ref.	Description
1	ICS0691	24A-62	Gas nozzle Φ16mm;喷嘴 Φ16mm
2	ICK0686	34A	Insulator;绝缘筒
3	ICU0009-12	14H-45	Contact tip Φ1.2mm/ 1/4-28X37.4;导电嘴 Φ1.2mm/ 1/4-28X37.4
4	ICF0070	54A	Diffuser;分流器
5	ICZ0699-01	64J60	Torch head 60GR/TW4/64J-60/Nickel-plated outer tube;枪颈 60GR/TW4/64J-60/镀镍外管
6	ICV0793	84A	MIG handle with screw;MIG手柄带螺丝
7	IHQ0081	BX0036	Trigger Kit/TW;开关套件/TW
8	IHJ0777	BW0222	Joint for MIG handle;MIG 手柄用球头
9	IFT0876-02	EA0321-02	Spring for cable support/Zin/Long/TW;电缆支撑用弹簧/镀白锌/加长/TW
10	ICN0908	MH0403	Cable assembly/3M;电缆组/3米
11	IFT0824	EA0379	Spring for cable support/Blue and white zinc plating;电缆支撑用弹簧/镀蓝白锌
12	IHJ0872	BW0327	Back box with closing ring;后把套/含锁紧环
13	IFT0063	EA0018	Screw M4x6;螺丝 M4x6
14	IZH7051	FB2056	Continental adapter / MIL M10X1;欧式转换接头/米勒 M10X1
15	ITO0092	AS0047	Connetecing adaptor TW1-4;转接头连杆/TW1-4
16	IIC0009-03	GM0004-03	Steel liner 3.4M Φ0.9-1.2mm/TW;钢送丝管 3.4米 Φ0.9-1.2mm/TW
Complete Torch			
	ICT5900	410-3545	TW4 Torch 3m;TW4枪 3米
	ICT5906	412-3545	TW4 Torch 4m;TW4枪 4米
	ICT5907	415-3545	TW4 Torch 4.6m;TW4枪 4.6米
	ICT5915	X410-3545	TW4 Torch 3m euro adaptor;TW4枪 3米 欧式中央插头
	ICT5911	X412-3545	TW4 Torch 4m euro adaptor;TW4枪 4米 欧式中央插头
	ICT5912	X415-3545	TW4 Torch 4.6m euro adaptor;TW4枪 4.6米 欧式中央插头
	ICT5913	M410-3545	TW4 Torch 3m MIL adaptor;TW4枪 3米 米勒后接口
	ICT5914	M412-3545	TW4 Torch 4m MIL adaptor;TW4枪 4米 米勒后接口
	ICT5920	M415-3545	TW4 Torch 4.6m MIL adaptor;TW4枪 4.6米 米勒后接口

TW500



Technical data		技术参数	
Cooling 冷却方式	Gas Cooled 气冷	Duty cycle 60% 暂载率60%	500Amp CO ₂ , 400Amp MIX
Wire Size 焊丝直径	Φ0.9-2.0mm		



Position	Code	Ref.	Description
1	ICS0737	25CT62	Gas nozzle Φ16mm;喷嘴 Φ16mm
2	ICS0738	35CT	Insulator;绝缘筒
3	ICU0060-16	15H116	Contact tip Φ1.6mm 5/16-24;导电嘴 Φ1.6mm 5/16-24
4	ICF0076	55	Diffuser;分流器
5	ICZ0086-01	65J-60	Conductor tube 60° ;枪颈 60°
6	ICV0754	85	MIG handle with screw;MIG手柄带螺丝
7	IHQ0081	94R	Trigger Kit/TW;开关套件/TW
8	IHJ0777	BW0222	Joint for MIG handle;MIG 手柄用球头
9	IFT0876-02	EA0321-02	Spring for cable support/Zin/Long/TW;电缆支撑用弹簧/镀白锌/加长/TW
10	ICN0794	MH0249	Cable assembly/3M;电缆组/3米
11	IFT0824	EA0379	Spring for cable support/Blue and white zinc plating;电缆支撑用弹簧/镀蓝白锌
12	IHJ0872	BW0327	Back box with closing ring;后把套/含锁紧环
13	IFT0063	EA0018	Screw M4x6;螺丝 M4x6
14	IZH7051	FB2056	Continental adapter / MIL M10X1; 欧式转换接头/米勒 M10X1
15	ITO0092	AS0047	Connetecing adaptor TW1-4;转接头连杆/TW1-4
16	IIC0068-06	GM0013-06	Steel line 3.4M 1.2-1.6 TW;TW送丝管 3.4M 1.2-1.6
Complete Torch			
	ICT5500-01		TW5 Torch 3m;TW5枪 3米
	ICT5506-01		TW5 Torch 4m;TW5枪 4米
	ICT5507-01	515-116	TW5 Torch 4.6m;TW5枪 4.6米
	ICT5515-01		TW5 Torch 3m euro adaptor;TW5枪 3米 欧式中央插头
	ICT5511-01		TW5 Torch 4m euro adaptor;TW5枪 4米 欧式中央插头
	ICT5512-01		TW5 Torch 4.6m euro adaptor;TW5枪 4.6米 欧式中央插头
	ICT5513-01	X515-116	TW5 Torch 3m MIL adaptor;TW5枪 3米 米勒后接口
	ICT5514-01	M515-116	TW5 Torch 4m MIL adaptor;TW5枪 4米 米勒后接口
	ICT5520-01		TW5 Torch 4.6m MIL adaptor;TW5枪 4.6米 米勒后接口

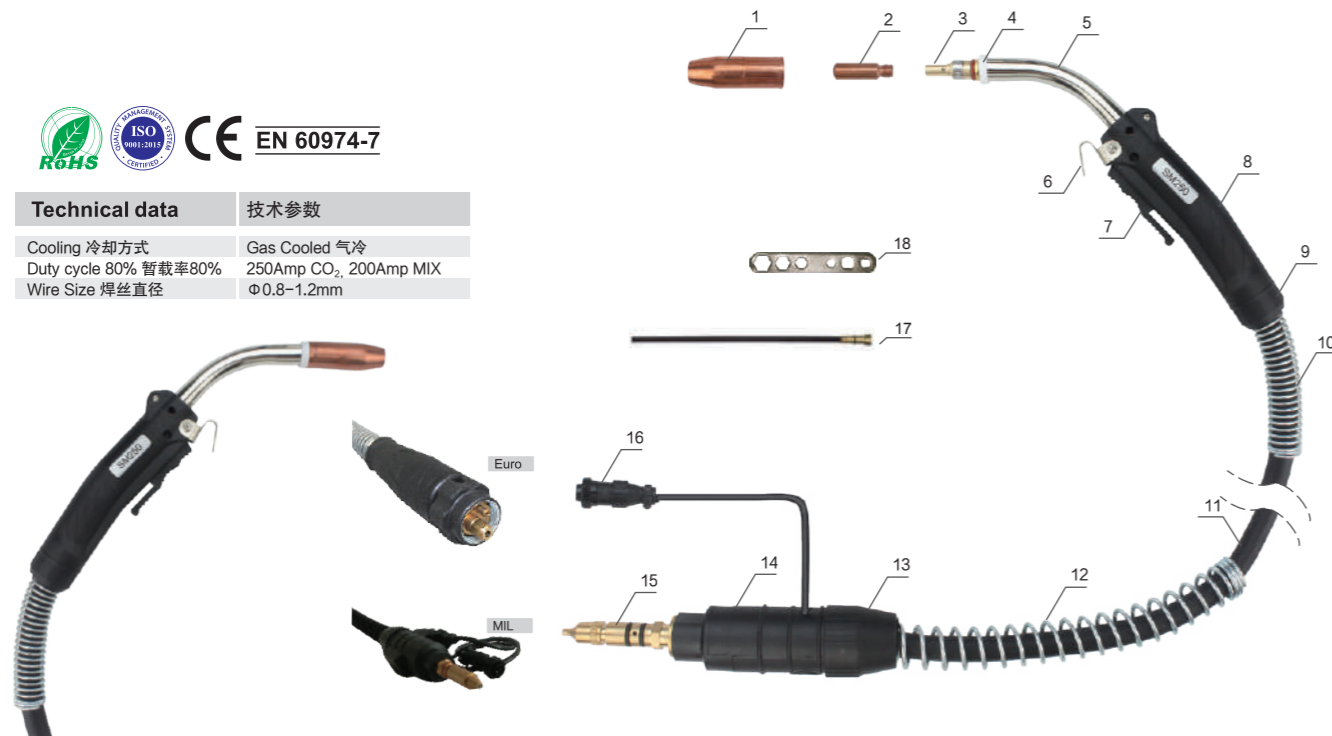
Note: About the registered trade mark, reference number of the model of the machine and spare parts, please see inner cover (company introduction)
注:关于注册商标、机器及配件的参考编号的注解, 请见封面内页 (公司简介)

Note: About the registered trade mark, reference number of the model of the machine and spare parts, please see inner cover (company introduction)
注:关于注册商标、机器及配件的参考编号的注解, 请见封面内页 (公司简介)

SPY250



Technical data	技术参数
Cooling 冷却方式	Gas Cooled 气冷
Duty cycle 80% 暂载率80%	250Amp CO ₂ , 200Amp MIX
Wire Size 焊丝直径	φ0.8-1.2mm



Position	Code	Ref.	Description
1	ICS0035	HD22-50	Nozzle/HD22-50;喷嘴/HD22-50
2	ICU0763-12	11H45	Contact tip φ 1.2mm/M6X1(11H45);导电嘴 φ 1.2mm/M6X1(11H45)
3	ICF0087	HD52-11	Diffuser HD52-11;分流器 HD52-11
4	IFT9407	EA4902	Gasket/ITW250;绝缘垫圈/ITW250
5	ICZ0651	MF0156	Torch head SPY250/SPY350;枪头 SPY250/SPY350
6	IFT0002	EA0007	Hook/TW1-3;挂钩/TW1-3
7	IHQ0269	BX0714	Switch base;开关座
8	ICV0009	MP0004	Torch handle/ITW450/black/PA66+30%GF;SPY450手柄/黑色/PA66+GF30%GF
9	IHJ0751	BW0256	Closing ring/ITW450 grip handle/black/PA66+30%GF;SPY450手柄锁紧环/黑色/PA66+GF30%GF
10	IFT0969	EA0414	Spring support/ITW450;前弹簧支撑/ITW450
11	ICN0573	MH0528	Coaxial cable 3M SPY250;同轴电缆组 3M SPY250
12	IFT0968	EA0413	Spring support/ITW450;弹簧支撑/ITW450
13	IHJ0083	BW0038	Gun plug nut/SPY450/black/PA66+30%GF;SPY450后把套锁紧螺母/黑色/PA66+GF30%GF
14	IHJ0966	BW0411	Back box hole/SPY450/black/PA66+30%GF;SPY450后把套/黑色/PA66+GF30%GF
15	ITO0092	AS0047	Connetcing adapter/TW1-4;转接头连杆/TW1-4
16	IHQ0742	BX0297	Connector MIL;四芯航插/米勒
17	IIC0068-06	GM0013-06	Steel line 3.4M φ 1.2-1.6mm TW;TW送丝管 3.4M φ 1.2-1.6mm
18	ICG6000	191.0001	Spanner for MIG;MIG 焊枪扳手

Complete Torch

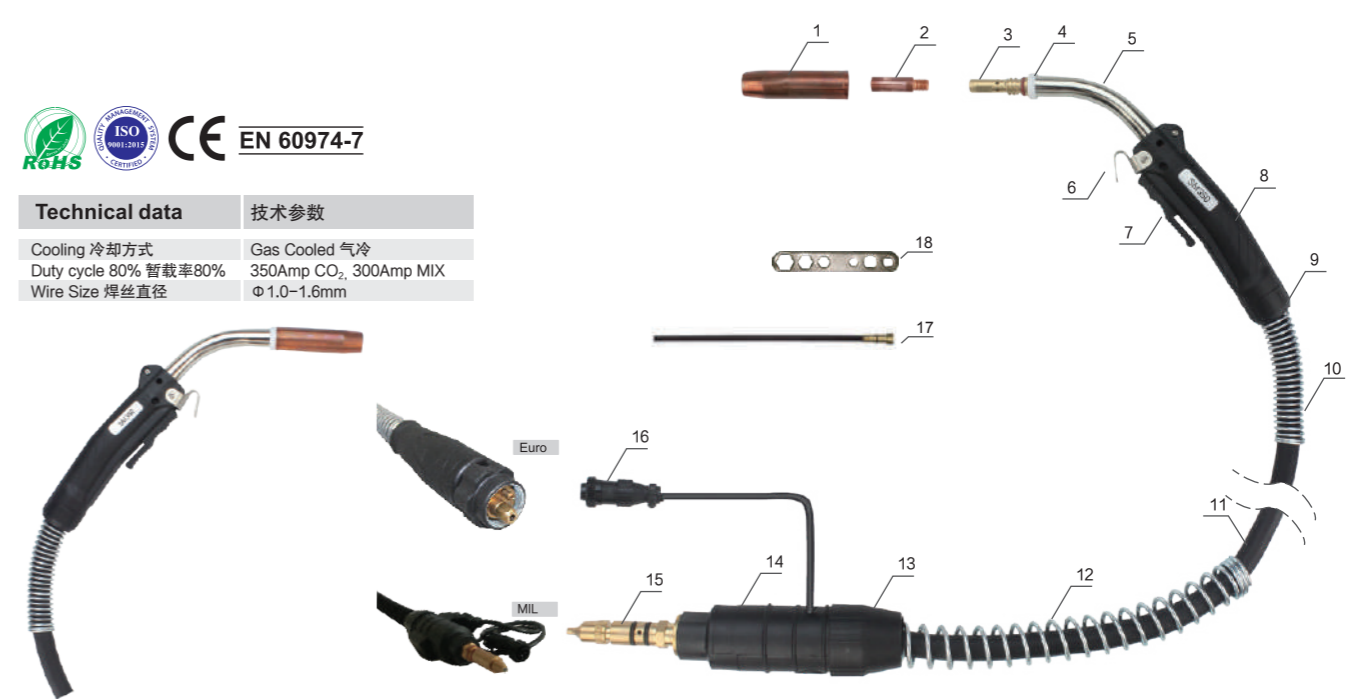
	ICT3598		Torch SPY250/3m/TW adapter;焊枪 SPY250 3米/TW后接头
	ICT3599		Torch SPY250/4m/TW adapter;焊枪 SPY250 4米/TW后接头
	ICT3595		Torch SPY250/5m/TW adapter;焊枪 SPY250 5米/TW后接头
	ICT3398		Torch SPY250/3m/EURO adapter;焊枪 SPY250 3米/欧式中央接头
	ICT3399		Torch SPY250/4m/EURO adapter;焊枪 SPY250 4米/欧式中央接头
	ICT3395		Torch SPY250/5m/EURO adapter;焊枪 SPY250 5米/欧式中央接头
	ICT3498		Torch SPY250/3m/MIL adapter;焊枪 SPY250 3米/米勒后接头
	ICT3499		Torch SPY250/4m/MIL adapter;焊枪 SPY250 4米/米勒后接头
	ICT3495		Torch SPY250/5m/MIL adapter;焊枪 SPY250 5米/米勒后接头

Note: About the registered trade mark, reference number of the model of the machine and spare parts, please see inner cover (company introduction)
注:关于注册商标、机器及配件的参考编号的注解,请见封面内页(公司简介)

SPY350



Technical data	技术参数
Cooling 冷却方式	Gas Cooled 气冷
Duty cycle 80% 暂载率80%	350Amp CO ₂ , 300Amp MIX
Wire Size 焊丝直径	φ 1.0-1.6mm



Position	Code	Ref.	Description
1	ICS0731	22CT-62	Gas nozzle/EL22CT-62/SPY350/TW;喷嘴/EL22CT-62/SPY350/TW
2	ICU0001-16	16S116	Contact tip φ 1.6mm/M8 x 1.25/16S116/TW;导电嘴 φ 1.6mm/M8 x 1.25/16S116/TW
3	ICF0013	52CT-16	Diffuser/HD52CT-16/TW;分流器/HD52CT-16/TW
4	IFT9407	EA4902	Gasket/ITW250;绝缘垫圈/ITW250
5	ICZ0651	MF0156	Torch head SPY250/SPY350;枪头 SPY250/SPY350
6	IFT0002	EA0007	Hook/TW1-3;挂钩/TW1-3
7	IHQ0269	BX0714	Switch base;开关座
8	ICV0009	MP0004	Torch handle/ITW450/black/PA66+30%GF;SPY450手柄/黑色/PA66+GF30%GF
9	IHJ0751	BW0256	Closing ring/ITW450 grip handle/black/PA66+30%GF;SPY450手柄锁紧环/黑色/PA66+GF30%GF
10	IFT0969	EA0414	Spring support/ITW450;前弹簧支撑/ITW450
11	ICN0563	MH0518	Coaxial cable 3M SPY350;同轴电缆组 3M SPY350
12	IFT0968	EA0413	Spring support/ITW450;弹簧支撑/ITW450
13	IHJ0083	BW0038	Gun plug nut/SPY450/BLACK/PA66+30%GF;SPY450后把套锁紧螺母/黑色/PA66+GF30%GF
14	IHJ0966	BW0411	Back box hole/SPY450/BLACK/PA66+30%GF;SPY450后把套/黑色/PA66+GF30%GF
15	ITO0092	AS0047	Connetcing adapter/TW1-4;转接头连杆/TW1-4
16	IHQ0742	BX0297	Connector MIL;四芯航插/米勒
17	IIC0068-06	GM0013-06	Steel line 3.4M φ 1.2-1.6mm TW;TW送丝管 3.4M φ 1.2-1.6mm
18	ICG6000	191.0001	Spanner for MIG;MIG 焊枪扳手

Complete Torch

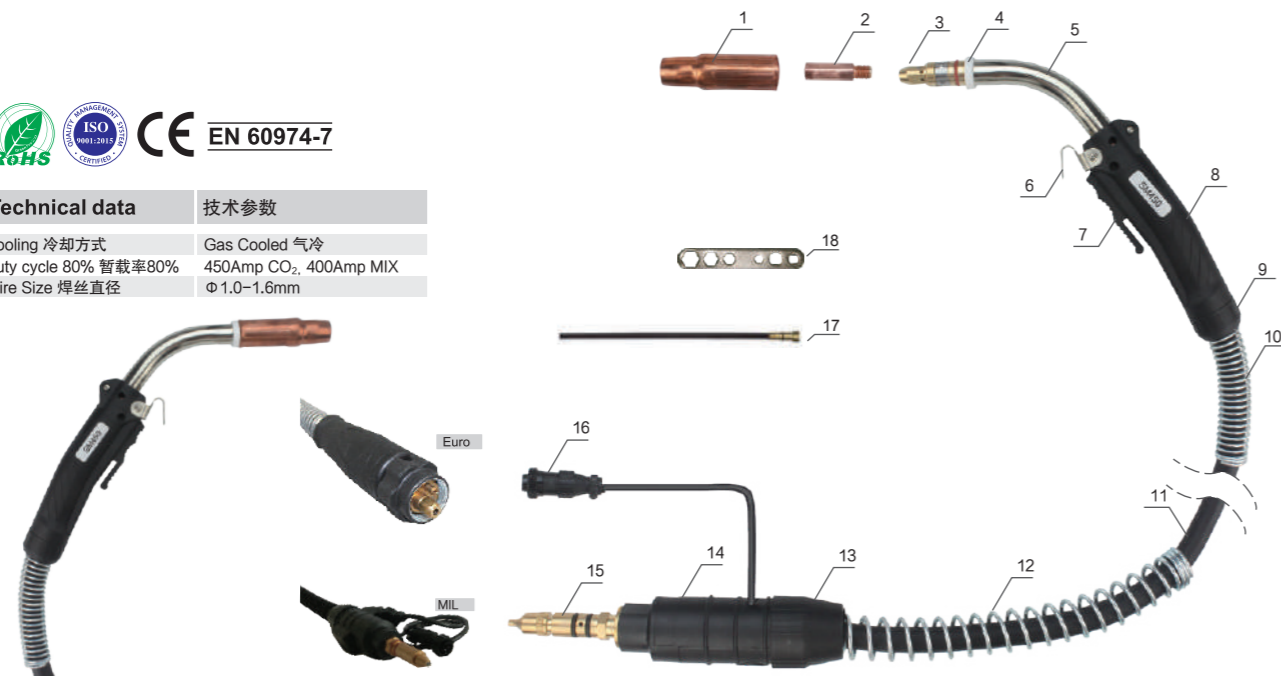
	ICT3898		Torch SPY350/3m/TW adapter;焊枪 SPY350 3米/TW后接头
	ICT3899		Torch SPY350/4m/TW adapter;焊枪 SPY350 4米/TW后接头
	ICT3895		Torch SPY350/5m/TW adapter;焊枪 SPY350 5米/TW后接头
	ICT3698		Torch SPY350/3m/EURO adapter;焊枪 SPY350 3米/欧式中央接头
	ICT3699		Torch SPY350/4m/EURO adapter;焊枪 SPY350 4米/欧式中央接头
	ICT3695		Torch SPY350/5m/EURO adapter;焊枪 SPY350 5米/欧式中央接头
	ICT3798		Torch SPY350/3m/MIL adapter;焊枪 SPY350 3米/米勒后接头
	ICT3799		Torch SPY350/4m/MIL adapter;焊枪 SPY350 4米/米勒后接头
	ICT3795		Torch SPY350/5m/MIL adapter;焊枪 SPY350 5米/米勒后接头

Note: About the registered trade mark, reference number of the model of the machine and spare parts, please see inner cover (company introduction)
注:关于注册商标、机器及配件的参考编号的注解,请见封面内页(公司简介)

SPY450



Technical data	技术参数
Cooling 冷却方式	Gas Cooled 气冷
Duty cycle 80% 暂载率80%	450Amp CO ₂ , 400Amp MIX
Wire Size 焊丝直径	φ 1.0-1.6mm



Position	Code	Ref.	Description
1	ICS0735	MC0285	Gas nozzle SPY450;喷嘴 SPY450
2	ICU0001-16	16S116	Contact tip φ 1.6mm/M8 × 1.25/16S116/TW;导电嘴 φ 1.6mm/M8 × 1.25/16S116/TW
3	ICF0086	HD54-16	Diffuser HD54-16/TW;分流器 HD54-16/TW
4	IFT8956	EA3451	Gasket/ITW450;绝缘垫圈/ITW450
5	ICZ0650	MF0150	Torch head SPY450;枪颈 SPY450
6	IFT0002	EA0007	Hook/TW1-3;挂钩/TW1-3
7	IHQ0269	BX0714	Switch ES/BND;开关座/ES
8	ICV0009	MP0004	Torch handle/ITW450/black/PA66+30%GF;SPY450手柄/黑色/PA66+GF30%GF
9	IHJ0751	BW0256	Closing ring/ITW450 grip handle/black/PA66+30%GF;SPY450手柄锁紧环/黑色/PA66+GF30%GF
10	IFT0969	EA0414	Spring support/ITW450;前弹簧支撑/ITW450
11	ICN0565	MH0515	Coaxial cable 3M SPY450;同轴电缆组 3M SPY450
12	IFT0968	EA0413	Spring support/ITW450;弹簧支撑/ITW450
13	IHJ0083	BW0038	Gun plug nut/SPY450/black/PA66+30%GF;SPY450后把套锁紧螺母/黑色/PA66+GF30%GF
14	IHJ0966	BW0411	Back box hole/SPY450/black/PA66+30%GF;SPY450后把套/黑色/PA66+GF30%GF
15	ITO0092	AS0047	Connetcing adapter/TW1-4;转接头连杆/TW1-4
16	IHQ0742	BX0297	Connector MIL;四芯航插/米勒
17	IIC0068-06	GM0013-06	Steel line 3.4M φ 1.2-1.6mm TW;TW送丝管 3.4M φ 1.2-1.6mm
18	ICG6000	191.0001	Spanner for MIG;MIG 焊枪扳手

Complete Torch

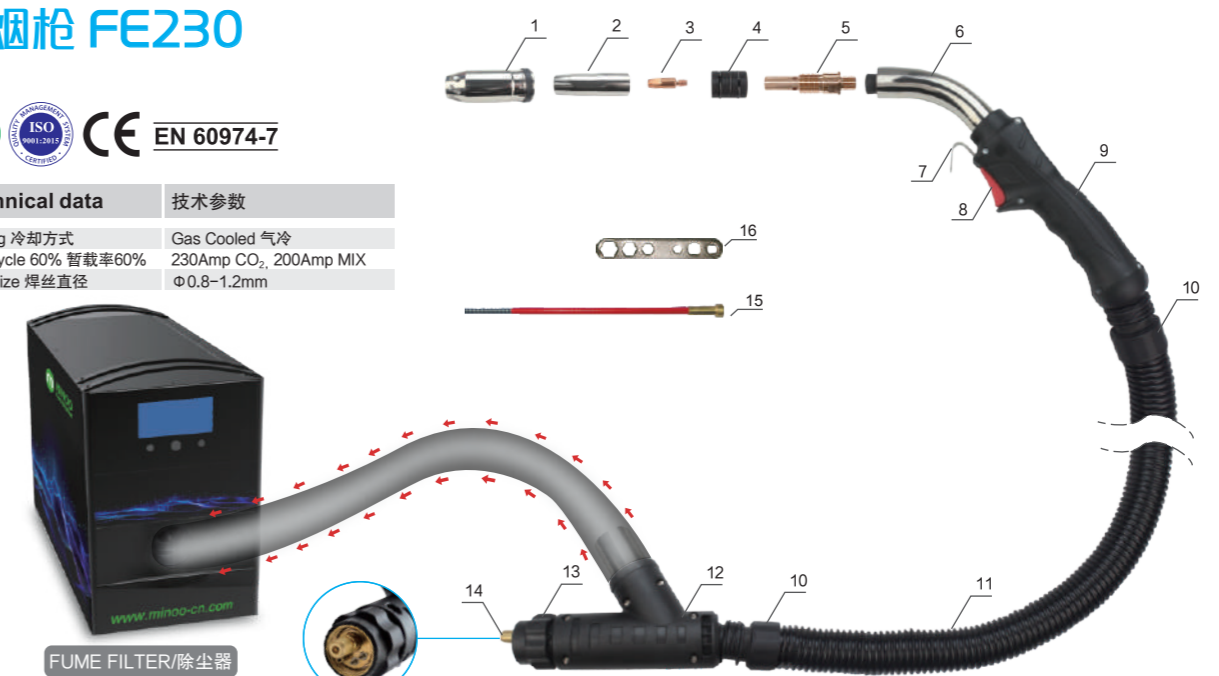
	ICT3298		Torch SPY450/3m/TW adapter;焊枪 SPY450 3米/TW后接头
	ICT3299		Torch SPY450/4m/TW adapter;焊枪 SPY450 4米/TW后接头
	ICT3295		Torch SPY450/5m/TW adapter;焊枪 SPY450 5米/TW后接头
	ICT3098		Torch SPY450/3m/EURO adapter;焊枪 SPY450 3米/欧式中央接头
	ICT3099		Torch SPY450/4m/EURO adapter;焊枪 SPY450 4米/欧式中央接头
	ICT3095		Torch SPY450/5m/EURO adapter;焊枪 SPY450 5米/欧式中央接头
	ICT3198		Torch SPY450/3m/MIL adapter;焊枪 SPY450 3米/米勒后接头
	ICT3199		Torch SPY450/4m/MIL adapter;焊枪 SPY450 4米/米勒后接头
	ICT3195		Torch SPY450/5m/MIL adapter;焊枪 SPY450 5米/米勒后接头

Note: About the registered trade mark, reference number of the model of the machine and spare parts, please see inner cover (company introduction)
注:关于注册商标、机器及配件的参考编号的注解,请见封面内页(公司简介)

FUME EXTRACTION TORCH FE230 吸烟枪 FE230



Technical data	技术参数
Cooling 冷却方式	Gas Cooled 气冷
Duty cycle 60% 暂载率60%	230Amp CO ₂ , 200Amp MIX
Wire Size 焊丝直径	φ 0.8-1.2mm



Position	Code	Ref.	Description
1	ICS0694	MC0149	Conical nozzle/fume extraction/FE230/8 HOLES;除烟嘴/FE230/锥形/8孔
2	ICS0654	MC0159	Gas nozzle/FE230/16° / φ 12.5mm;喷嘴/FE230/锥形16° / φ 12.5mm
3	ICU0004-10	140.0242	Contact tip φ 1.0mm E-CU/M6 × 28;导电嘴 φ 1.0mm/M6 × 28
4	ICK0680	32	Insulator 32;绝缘筒 32
5	ICF0050	ME0050	Diffuser/FE230/M6;分流器/FE230/M6
6	ICZ0604	MF0109	Felix torch head/FE230/M10 × 1;枪颈 FE230/M10 × 1
7	IFT8206	EA3701	Hook up/Q235/extractione welding torch;挂钩/Q235/吸烟焊枪
8	IHQ0070	185.0031	Trigger red;焊枪用开关 21.8MM 红色
9	ICV0068	MP0013	Torch handle/black/pa66+30%gf/extractione welding torch;MIG手柄/黑色/PA66+30%GF/吸烟焊枪
10	IHJ0136	BW0681	Joint with hole/black/pa66+30%gf/extractione welding torch;球节/带孔/黑色/PA66+30%GF/吸烟焊枪
11	ICN0524	MH0579	Cable assembling /3M;同轴电缆组/3米/环保吸尘用
11.1	IZH0890	FB0340	Torch head tube/FE230/φ 27;除烟管/FE230/φ 27
12	IHJ0961	BW0416	Back box hole/black/pa66+30%gf/extractione welding torch;后把套/黑色/PA66+30%GF/吸烟焊枪
13	IHJ0070	BW0020	Gun plug nut;焊枪锁紧螺母/金属螺纹
14	ITB0059	501.2155	Euro central adapter body/spring pins;欧式中央接头/弹性针
15	IIC0560-02	GM0510-02	Insulated steel liner/φ 1.0-1.2mm/3m red/torch;带绝缘层送丝管 φ 1.0-1.2mm/3米/红色
16	ICG6000	191.0001	Spanner for MIG;MIG 焊枪扳手

Complete Torch

	ICTE2698		MIG FE230 torch 3m with spring pins/fume extraction;焊枪FE230/3米/弹性针/环保吸尘
	ICTE2699		MIG FE230 torch 4m with spring pins/fume extraction;焊枪FE230/4米/弹性针/环保吸尘
	ICTE2695		MIG FE230 torch 5m with spring pins/fume extraction;焊枪FE230/5米/弹性针/环保吸尘
FUME FILTER/除尘器	ICG0720		Fume filter/ for FE200-500 series welding torches;除尘器/FE200-500系列焊枪用

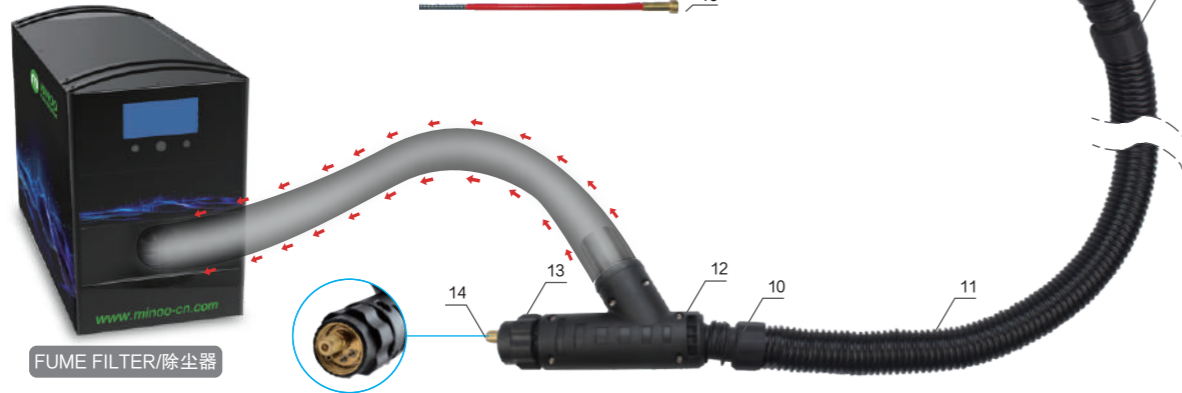
Note: About the registered trade mark, reference number of the model of the machine and spare parts, please see inner cover (company introduction)
注:关于注册商标、机器及配件的参考编号的注解,请见封面内页(公司简介)

FUME EXTRACTION TORCH FE340

吸烟枪 FE340



Technical data	技术参数
Cooling 冷却方式	Gas Cooled 气冷
Duty cycle 60% 暂载率60%	340Amp CO ₂ , 290Amp MIX
Wire Size 焊丝直径	Φ0.8-1.2mm



Position	Code	Ref.	Description
1	ICS0657	MC0152	Conical nozzle/fume extraction/FE340/8 HOLES;除烟嘴/FE340/锥形/8孔
2	ICS0650	MC0150	Gas nozzle/FE340/Φ 15mm;喷嘴/FE340/Φ 15mm
3	ICU0005-12	140.0442	Contact tip Φ 1.2mm E-CU/M8 × 30;导电嘴 Φ 1.2mm E-CU/M8 × 30
4	ICK0686	34A	Insulator 34A;绝缘筒 34A
5	ICF0093	ME0048	Diffuser/FE340/M8;分流器/FE340/M8
6	ICZ0604	MF0109	Felix torch head/FE230/M10 × 1;枪头 FE230/M10 × 1
7	IFT8206	EA3701	Hook up/Q235/extractione welding torch;挂钩/Q235/吸烟焊枪
8	IHQ0070	185.0031	Trigger red;焊枪用开关 21.8MM 红色
9	ICV0068	MP0013	Torch handle/black/pa66+30%gf/extractione welding torch;MIG手柄/黑色/PA66+30%GF/吸烟焊枪
10	IHJ0136	BW0681	Joint with hole/black/pa66+30%gf/extractione welding torch;球节/带孔/黑色/PA66+30%GF/吸烟焊枪
11	ICN0521	MH0576	Cable assembling/3M;同轴电缆组/35MMQ/3米/环保吸尘
11.1	IZH0890	FB0340	Torch head tube/FE230/Φ 27;除烟管/FE230/Φ 27
12	IHJ0961	BW0416	Back box hole/black/pa66+30%gf/extractione welding torch;后把套/黑色/PA66+30%GF/吸烟焊枪
13	IHJ0070	BW0020	Gun plug nut;焊枪锁紧螺母/金属螺纹
14	ITB0059	501.2155	Euro central adapter body/spring pins;欧式中央接头/弹性针
15	IIC0560-02	GM0510-02	Insulated steel liner/Φ 1.0-1.2mm/3m red/torch;带绝缘层送丝管 Φ 1.0-1.2mm/3米/红色
16	ICG6000	191.0001	Spanner for MIG;MIG 焊枪扳手

Complete Torch		
	ICTE2998	MIG FE340 torch 3m with spring pins/fume extraction;焊枪FE340/3米/弹性针/环保吸尘
	ICTE2999	MIG FE340 torch 4m with spring pins/fume extraction;焊枪FE340/4米/弹性针/环保吸尘
	ICTE2995	MIG FE340 torch 5m with spring pins/fume extraction;焊枪FE340/5米/弹性针/环保吸尘
FUME FILTER/除尘器	ICG0720	Fume filter/ for FE200-500 series welding torches;除尘器/FE200-500系列焊枪用

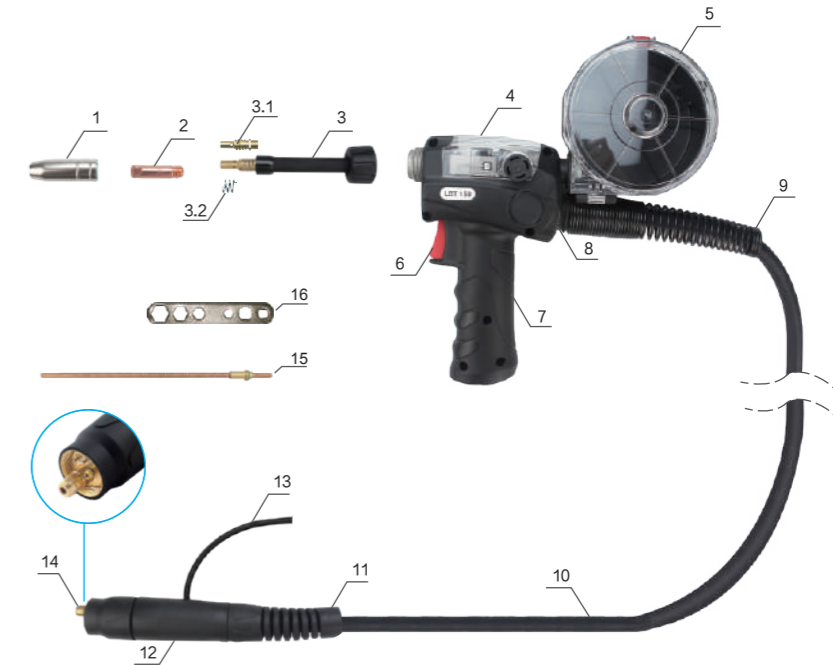
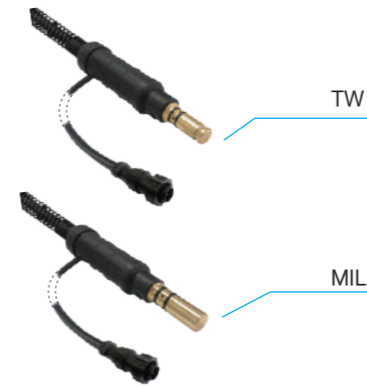
Note: About the registered trade mark, reference number of the model of the machine and spare parts, please see inner cover (company introduction)
注:关于注册商标、机器及配件的参考编号的注解,请见封面内页(公司简介)

SPOOL TORCH LBT 150

拉丝枪 LBT 150



Technical data	技术参数
Cooling 冷却方式	Gas Cooled 气冷
Duty cycle 60% 暂载率60%	150Amp CO ₂ , 130Amp MIX
Wire Size 焊丝直径	Φ0.8-1.0mm



Position	Code	Ref.	Description
1	ICS0063	145.0075	Gas nozzle Φ 12mm 14-15AK;喷嘴 Φ 12mm 14-15AK
2	ICU0003-08	140.0059	Contact tip Φ 0.8mm E-CU/M6 × 25;导电嘴 Φ 0.8mm E-CU/M6 × 25
3	ICZ0681	MF0136	Torch head/LBT150;枪头/LBT150
3.1	IZH0662	002.0078	Gas diffuser 15AK;分流器 15AK
3.2	IFT0808	002.0058	Nozzle spring 15AK;分流器弹簧 15AK
4	IHJ0515	BW0565	Switch cap/PC;拉丝枪手柄盖/透明/PC
5	IHJ0189	BW0634	拉丝枪丝盘组件/2018
6	IHQ0070	185.0031	Trigger red;焊枪用开关 21.8MM 红色
7	ICV0600	MP0100	Mig grip handle/100/150/PA66+30%GF;拉丝枪手柄/不贴膜/100/150/PA66+30%GF
8	IHJ0777	BW0222	Joint for MIG grip handle;MIG 手柄用球头
9	IFT0870	EA0320	Spring/cable support 401D-501D/black;电缆支撑用弹簧 401D-501D/黑色
10	ICN0941-01	MH0496-01	Coaxial cable/diameter 5MM/4 wires/3M;同轴电缆/内径5MM/4芯控制线/3米
11	IFT0960	EA0410	Spring support/MIG water cooling/black;MIG水冷弹簧支撑/黑色
12	IHJ0940	BE0490	Back box hole for gas and water cooling torch/black;MIG空/水冷后把套/黑色
13	IHQ0367	BX0812	Control wire 4x0.5MMQ;控制线 4x0.5MMQ (四色线为黑、白、红、蓝)/黑色外皮/不印字
14	ITB0059-02	501.2155E	Euro central adapter body/without spring pins;欧式中央接头/不带弹性针
15	IIC0635	GM0185	Liner 4.0x2.0x200MM;磷铜送丝管 4.0x2.0x200MM
16	ICG6000	191.0001	Spanner for MIG;MIG 焊枪扳手

Complete Torch		
	ICL0013	Wire drawing welding torch/LBT150/3m/integrated/4 wires;拉丝焊枪/LBT150/3米/气电一体/4芯
	ICL0014	Wire drawing welding torch/LBT150/4m/integrated/4 wires;拉丝焊枪/LBT150/4米/气电一体/4芯
	ICL0016	Wire drawing welding torch/LBT150/6m/integrated/4 wires;拉丝焊枪/LBT150/6米/气电一体/4芯
	ICL0018	Wire drawing welding torch/LBT150/8m/integrated/4 wires;拉丝焊枪/LBT150/8米/气电一体/4芯

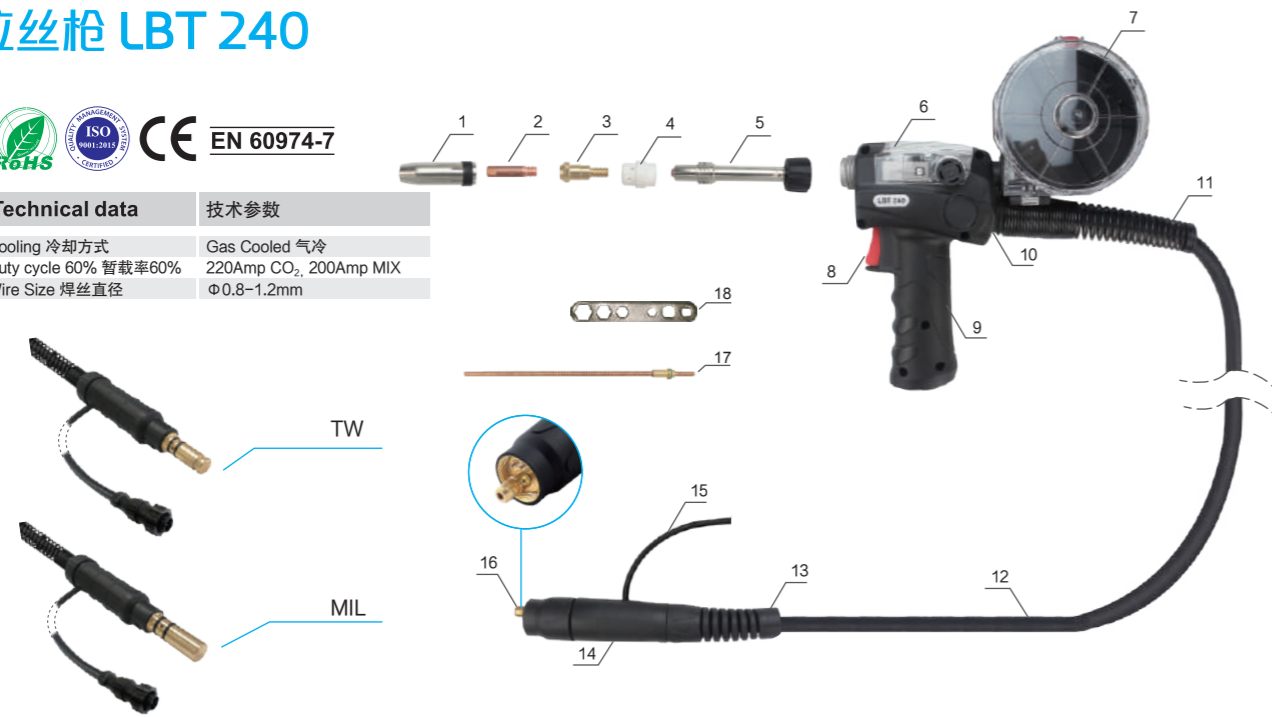
Note: About the registered trade mark, reference number of the model of the machine and spare parts, please see inner cover (company introduction)
注:关于注册商标、机器及配件的参考编号的注解,请见封面内页(公司简介)

SPOOL TORCH LBT 240

拉丝枪 LBT 240



Technical data	技术参数
Cooling 冷却方式	Gas Cooled 气冷
Duty cycle 60% 暂载率60%	220Amp CO ₂ , 200Amp MIX
Wire Size 焊丝直径	Φ0.8-1.2mm



Position	Code	Ref.	Description
1	ICS0806	145.008	Gas nozzle Φ 12.5mm 24KD;喷嘴 Φ 12.5mm 24KD
2	ICU0004-10	140.0242	Contact tip Φ 1.0mm E-CU/M6 × 28;导电嘴 Φ 1.0mm E-CU/M6 × 28
3	ICU0683	142.0003	Contact tip/holder 24KD M6 26MM;导电嘴座/24KD/M6/26MM
4	ICF0539	ME0584	White ceramic gas diffuser 24KD;白色陶瓷分流器 24KD
5	ICZ0680	MF0130	Torch head/LBT240;枪头/LBT240
6	IHJ0515	BW0565	Switch cap/PC;拉丝枪手柄盖/透明/PC
7	IHJ0189	BW0634	Wire drawing gun reel assembly/2018;拉丝枪丝盘组件/2018
8	IHQ0070	185.0031	Trigger red;焊枪用开关 21.8MM 红色
9	ICV0600	MP0100	MIG grip handle/100/150/PA66+30%GF;拉丝枪手柄/不贴皮/100/150/PA66+30%GF
10	IHJ0777	BW0222	Joint for MIG grip handle;MIG 手柄用球头
11	IFT0870	EA0320	Spring/cable support 401D-501D/black;电缆支撑用弹簧 401D-501D/黑色
12	ICN0943-01	MH0496-01	Coaxial cable/diameter 5mm/4 wires/3m;同轴电缆/内径5MM/4芯控制线/3米
13	IFT0960	EA0410	Spring support/MIG water cooling/black;MIG水冷弹簧支撑/黑色
14	IHJ0940	BE0490	Back box hole for gas and water cooling torch/black;MIG空/水冷后把套/黑色
15	IHQ0367	BX0812	Control wire 4x0.5MMQ;控制线 4x0.5MMQ (四色线为黑、白、红、蓝)/黑色外皮/不印字
16	ITB0059-02	501.2155E	Euro central adapter body/without spring pins;欧式中央接头/不带弹性针
17	IIC0635	GM0185	Liner 4.0x2.0x200MM;磷铜送丝管 4.0x2.0x200MM
18	ICG6000	191.0001	Spanner for MIG;MIG 焊枪扳手

Complete Torch		
ICL0113	Wire drawing welding torch/LBT240/3m/integrated/4 wires;拉丝焊枪/LBT240/3米/气电一体/4芯	
ICL0114	Wire drawing welding torch/LBT240/4m/integrated/4 wires;拉丝焊枪/LBT240/4米/气电一体/4芯	
ICL0116	Wire drawing welding torch/LBT240/6m/integrated/4 wires;拉丝焊枪/LBT240/6米/气电一体/4芯	
ICL0118	Wire drawing welding torch/LBT240/8m/integrated/4 wires;拉丝焊枪/LBT240/8米/气电一体/4芯	

Note: About the registered trade mark, reference number of the model of the machine and spare parts, please see inner cover (company introduction)
注:关于注册商标、机器及配件的参考编号的注解,请见封面内页(公司简介)

SPOOL TORCH LBT 250

拉丝枪 LBT 250



Technical data	技术参数
Cooling 冷却方式	Gas Cooled 气冷
Duty cycle 60% 暂载率60%	200Amp CO ₂ , 180Amp MIX
Wire Size 焊丝直径	Φ0.8-1.2mm



Position	Code	Ref.	Description
1	ICS0078	145.0076	Gas nozzle Φ 15mm 25AK;喷嘴 Φ 15mm 25AK
2	ICU0004-10	140.0242	Contact tip Φ 1.0mm E-CU/M6 × 28;导电嘴 Φ 1.0mm E-CU/M6 × 28
3	ICF0061	142.0001	Gas diffuser M6/35MM/25AK;分流器 M6/35MM/25AK
4	ICZ0682	MF0137	Torch head/LBT250;枪头/LBT250
5	IHJ0515	BW0565	Switch cap/PC;拉丝枪手柄盖/透明/PC
6	IHJ0189	BW0634	Wire drawing gun reel assembly/2018;拉丝枪丝盘组件/2018
7	IHQ0070	185.0031	Trigger red;焊枪用开关 21.8MM 红色
8	ICV0600	MP0100	Mig grip handle/100/150/PA66+30%GF;拉丝枪手柄/不贴皮/100/150/PA66+30%GF
9	IHJ0777	BW0222	Joint for MIG grip handle;MIG 手柄用球头
10	IFT0870	EA0320	Spring/cable support 401D-501D/black;电缆支撑用弹簧 401D-501D/黑色
11	ICN0943-01	MH0496-01	Coaxial cable/diameter 5mm/4 wires/3m;同轴电缆/内径5MM/4芯控制线/3米
12	IFT0960	EA0410	Spring support/MIG water cooling/black;MIG水冷弹簧支撑/黑色
13	IHJ0940	BE0490	Back box hole for gas and water cooling torch/black;MIG空/水冷后把套/黑色
14	IHQ0367	BX0812	Control wire 4x0.5MMQ;控制线 4x0.5MMQ (四色线为黑、白、红、蓝)/黑色外皮/不印字
15	ITB0059-02	501.2155E	Euro central adapter body/without spring pins;欧式中央接头/不带弹性针
16	IIC0635	GM0185	Liner 4.0x2.0x200MM;磷铜送丝管 4.0x2.0x200MM
17	ICG6000	191.0001	Spanner for MIG;MIG 焊枪扳手

Complete Torch		
ICL0213	Wire drawing welding torch/LBT250/3m/integrated/4 wires;拉丝焊枪/LBT250/3米/气电一体/4芯	
ICL0214	Wire drawing welding torch/LBT250/4m/integrated/4 wires;拉丝焊枪/LBT250/4米/气电一体/4芯	
ICL0216	Wire drawing welding torch/LBT250/6m/integrated/4 wires;拉丝焊枪/LBT250/6米/气电一体/4芯	
ICL0218	Wire drawing welding torch/LBT250/8m/integrated/4 wires;拉丝焊枪/LBT250/8米/气电一体/4芯	

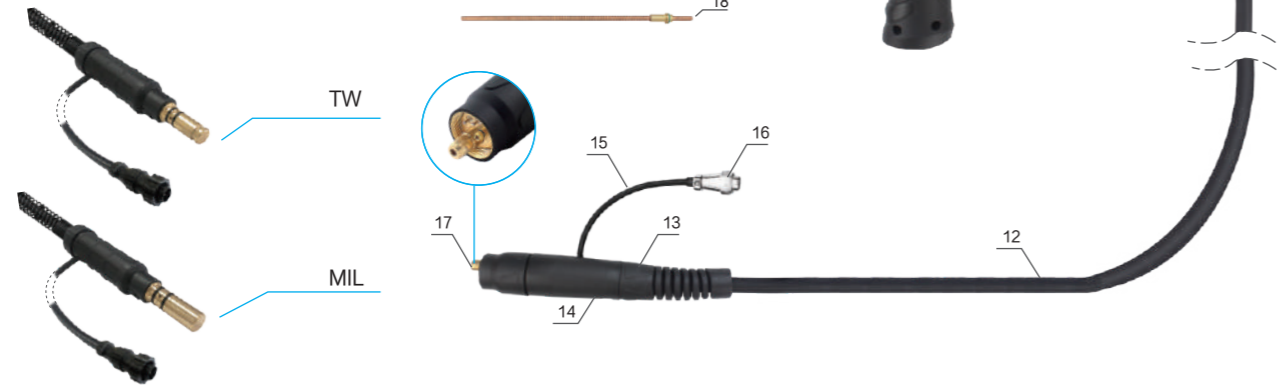
Note: About the registered trade mark, reference number of the model of the machine and spare parts, please see inner cover (company introduction)
注:关于注册商标、机器及配件的参考编号的注解,请见封面内页(公司简介)

SPOOL TORCH LBT TW2

拉丝枪 LBT TW2



Technical data	技术参数
Cooling 冷却方式	Gas Cooled 气冷
Duty cycle 60% 暂载率60%	220Amp CO ₂ , 200Amp MIX
Wire Size 焊丝直径	Φ0.8-1.2mm



Position	Code	Ref.	Description
1	ICS0789	22-50	Gas nozzle Φ12.7/22-50;喷嘴 Φ12.7/22-50
2	ICU0008-08	14-30	Contact tip Φ0.8mm/1/4-28 × 38 TW2;导电嘴 Φ0.8mm/1/4-28 × 38 TW2
3	ICK0680	32	Insulator 32;绝缘筒 32
4	ICF0077	52	Diffuser 52;分流器 52
5	ICZ0686	MF0131	Torch head/TW2;拉丝枪枪头/TW2
6	IHJ0515	BW0565	Switch cap/PC;拉丝枪手柄盖/透明/PC
7	IHJ0189	BW0634	Wire drawing gun reel assembly/2018;拉丝枪丝盘组件/2018
8	IHQ0070	185.0031	Trigger red;焊枪用开关 21.8MM 红色
9	ICV0600	MP0100	Mig grip handle/100/150/PA66+30%GF;拉丝枪手柄/不贴皮/100/150/PA66+30%GF
10	IHJ0777	BW0222	Joint for MIG grip handle;MIG 手柄用球头
11	IFT0870	EA0320	Spring/cable support 401D-501D/black;电缆支撑用弹簧 401D-501D/黑色
12	ICN0943-01	MH0496-01	Coaxial cable/diameter 5MM/4 wires/3M;同轴电缆/内径5MM/4芯控制线/3米
13	IFT0960	EA0410	Spring support/MIG water cooling/black;MIG水冷弹簧支撑/黑色
14	IHJ0940	BE0490	Back box hole for gas and water cooling torch/black;MIG空/水冷后把套/黑色
15	IHQ0367	BX0812	Control wire 4x0.5MMQ;控制线 4x0.5MMQ (四色线为黑、白、红、蓝) /黑色外皮/不印字
16	IHQ0490	BX0940	Connector/WF20J9T11;威普九芯航插/WF20J9T11
17	ITB0059-02	501.2155E	Euro central adapter body/without spring pins;欧式中央接头/不带弹性针
18	IIC0635	GM0185	Liner 4.0x2.0x200MM;磷铜送丝管 4.0x2.0x200MM
19	ICG6000	191.0001	Spanner for MIG;MIG 焊枪扳手

Complete Torch		
ICL0813		Wire drawing welding torch/TW2/3m/integrated/4 wires;拉丝焊枪/TW2/3米/气电一体/4芯
ICL0814		Wire drawing welding torch/TW2/4m/integrated/4 wires;拉丝焊枪/TW2/4米/气电一体/4芯
ICL0816		Wire drawing welding torch/TW2/6m/integrated/4 wires;拉丝焊枪/TW2/6米/气电一体/4芯
ICL0818		Wire drawing welding torch/TW2/8m/integrated/4 wires;拉丝焊枪/TW2/8米/气电一体/4芯

Note: About the registered trade mark, reference number of the model of the machine and spare parts, please see inner cover (company introduction)
注:关于注册商标、机器及配件的参考编号的注解,请见封面内页(公司简介)

SPOOL TORCH LBA 250 / LBA 300

拉丝枪 LBA 250 / LBA 300



LBA 250

Technical data	技术参数
Cooling 冷却方式	Gas Cooled 气冷
Duty cycle 60% 暂载率60%	250Amp CO ₂ , 230Amp MIX
Wire Size 焊丝直径	Φ0.8-1.2mm



LBA 300

Technical data	技术参数
Cooling 冷却方式	Gas Cooled 气冷
Duty cycle 60% 暂载率60%	300Amp CO ₂ , 270Amp MIX
Wire Size 焊丝直径	Φ0.8-1.2mm



Complete Torch		
ICLA0113		Wire drawing gun LBA250/3m/7-core wire/2023;拉丝焊枪/LBA250/3米/7芯/2023款
ICLA0313		Wire drawing gun LBA300/3m/7-core wire/2023;拉丝焊枪/LBA300/3米/7芯/2023款

Note: About the registered trade mark, reference number of the model of the machine and spare parts, please see inner cover (company introduction)
注:关于注册商标、机器及配件的参考编号的注解,请见封面内页(公司简介)

PUSH PULL WIRE WELDING TORCH 推拉丝枪 LPA250 / LPA 300/LPW 401D

SPARE PARTS 配件



LPA 250

Technical data	技术参数
Cooling 冷却方式	Gas Cooled 气冷
Duty cycle 60% 暂载率60%	250Amp CO ₂ , 230Amp MIX
Wire Size 焊丝直径	Φ0.8-1.2mm



LPA 300

Technical data	技术参数
Cooling 冷却方式	Gas Cooled 气冷
Duty cycle 60% 暂载率60%	300Amp CO ₂ , 270Amp MIX
Wire Size 焊丝直径	Φ0.8-1.2mm

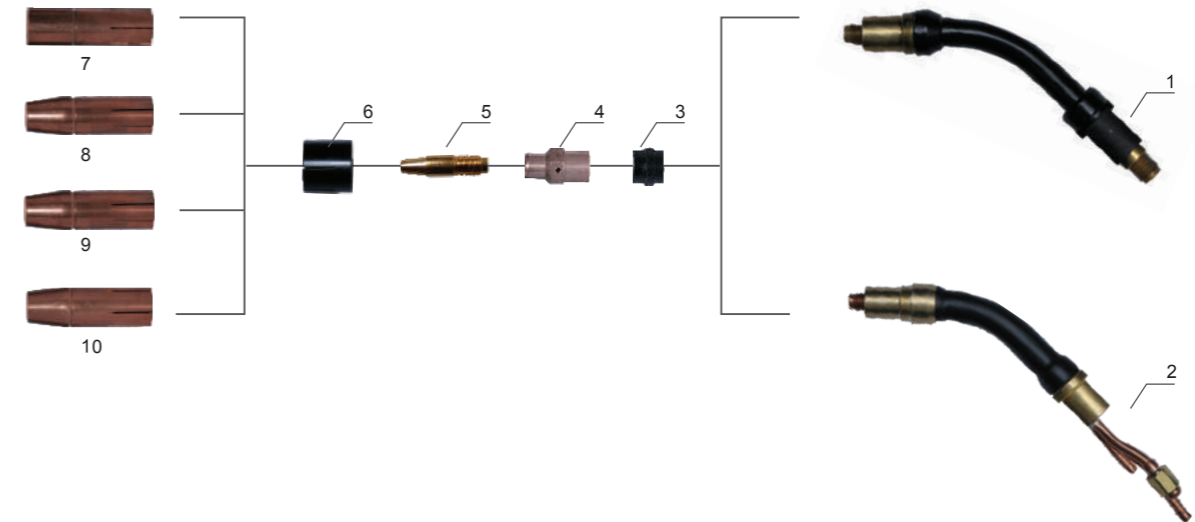


LPW 401D

Technical data	技术参数
Cooling 冷却方式	Water Cooled 水冷
Duty cycle 100% 暂载率100%	400Amp CO ₂ , 350Amp MIX
Wire Size 焊丝直径	Φ0.8-1.2mm



AL 2300/AW 2500



Position	Code	Ref.	Description
1	ICZ0960	34.0350.1875	Torch head AL2300 45°;AL2300 枪颈 45°
2	ICI0760	34.0350.1876	Torch head AW2500 45°;AW2500 枪颈 45°
3	IZH1237	42.0100.0225	Insulator Φ 16.9x13.1;绝缘环 Φ 16.9x13.1
4	ICF6000	42.0001.1718	Contact tip holder AL2300;导电嘴座 AL2300
5	ICU0807-10	92.01.104010	Contact tip;导电嘴
6	IZF0042	42.0001.5171	Retaining sleeve ;喷嘴护套
7	ICS0891	42.0001.5172	Gas Nozzle Φ 17/ Φ 20x66.5;外喷嘴 Φ 17/ Φ 20x66.5
8	ICS0898	42.0001.5173	Gas Nozzle Φ 12/ Φ 20x66.5 ;外喷嘴 Φ 12/ Φ 20x66.5
9	ICS0895	42.0001.5174	Gas Nozzle Φ 10/ Φ 20x66.5;外喷嘴 Φ 10/ Φ 20x66.5
10	ICS0885	42.0001.6010	Gas Nozzle Φ 12/ Φ 20x62.5;外喷嘴 Φ 12/ Φ 20x62.5

Complete Torch		
ICPA0116		Push pull wire welding gun/LPA250/6m/7-core wire/2023;推拉丝焊枪/LPA250/6米/7芯/2023款
ICPA0316		Push pull wire welding gun/LPA300/6m/7-core wire/2023;推拉丝焊枪/LPA300/6米/7芯/2023款
ICPW0418		Push pull wire welding gun/LPT401D/8m/7-core wire/2023;推拉丝焊枪/LPT401D/8米/7芯/2023款

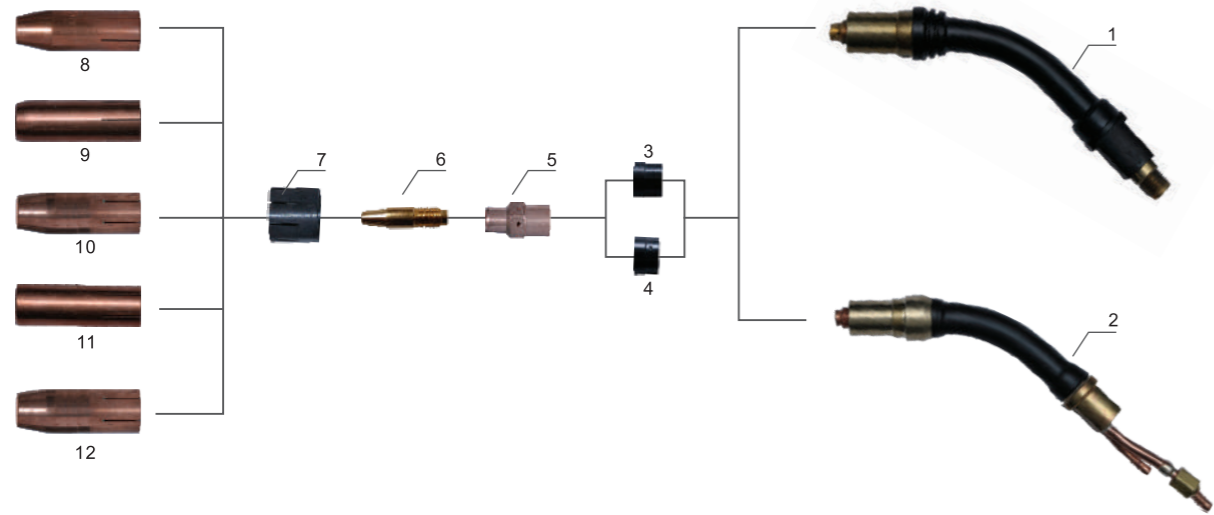
Note: About the registered trade mark, reference number of the model of the machine and spare parts, please see inner cover (company introduction)
注:关于注册商标、机器及配件的参考编号的注解, 请见封面内页(公司简介)

Note: About the registered trade mark, reference number of the model of the machine and spare parts, please see inner cover (company introduction)
注:关于注册商标、机器及配件的参考编号的注解, 请见封面内页(公司简介)

SPARE PARTS 配件



AL 3000/AW 4000



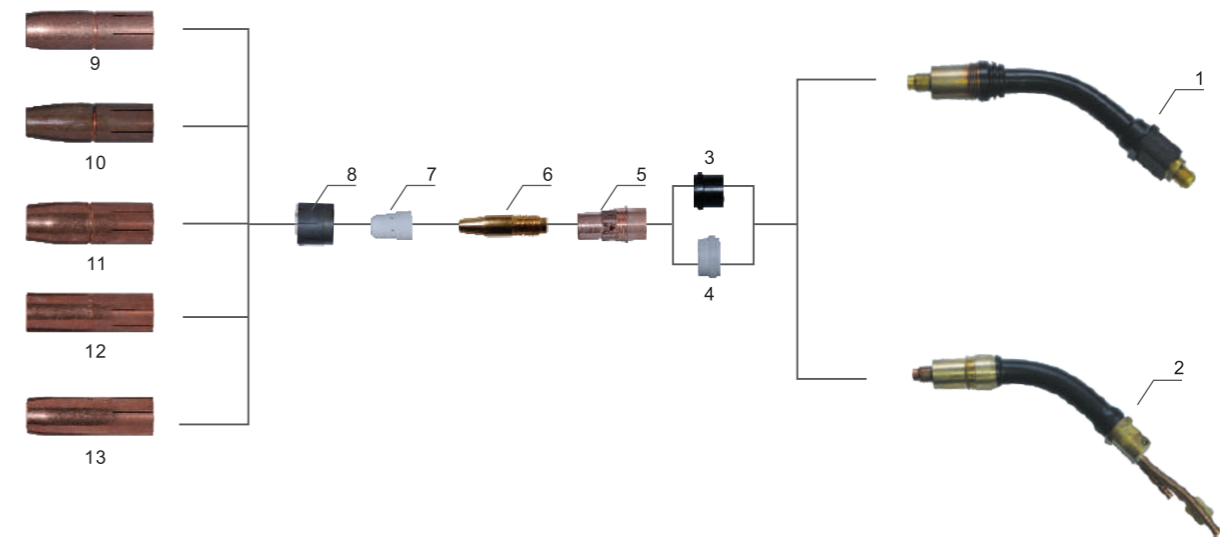
Position	Code	Ref.	Description
1	ICZ0966	34.0350.1771	Torch head AL3000 45°;AL3000 枪颈 45°
2	ICI0766	34.0350.1812	Torch head AW4000 45°;AW4000 枪颈 45°
3	IZH1239	42.0100.1014	Insulator Φ 14/ Φ 16.9x13(AL3000);绝缘环 Φ 14/ Φ 16.9x13(AL3000)
4	IZH1238	42.0001.1010	Insulator Φ 14/ Φ 16.9x11(AW4000);绝缘环 Φ 14/ Φ 16.9x11(AW4000)
5	ICF0007	42.0001.5084	Contact tip holder M8x1.25/SW14x28;导电嘴座 M8x1.25/SW14x28
6	ICU0807-12	92.01.104012	Contact tip;导电嘴
7	IZF0041	42.0001.2930	Retaining sleeve (AL3000/AW4000); 喷嘴护套 (AL3000/AW4000)
8	ICS0881	42.0001.5151	Gas Nozzle Φ 11/ Φ 22x67;外喷嘴 Φ 11/ Φ 22x67
9	ICS0882	42.0001.5269	Gas Nozzle Φ 15/ Φ 22x67;外喷嘴 Φ 15/ Φ 22x67
10	ICS0883	42.0001.5619	Gas Nozzle Φ 13/ Φ 22x65;外喷嘴 Φ 13/ Φ 22x65/短款
11	ICS0884	42.0001.5821	Gas Nozzle Φ 17/ Φ 22x67;外喷嘴 Φ 17/ Φ 22x67
12	ICS0897	42.0001.5096	Gas Nozzle Φ 13/ Φ 22x67;外喷嘴 Φ 13/ Φ 22x67

Note: About the registered trade mark, reference number of the model of the machine and spare parts, please see inner cover (company introduction)
注:关于注册商标、机器及配件的参考编号的注解, 请见封面内页 (公司简介)

SPARE PARTS 配件



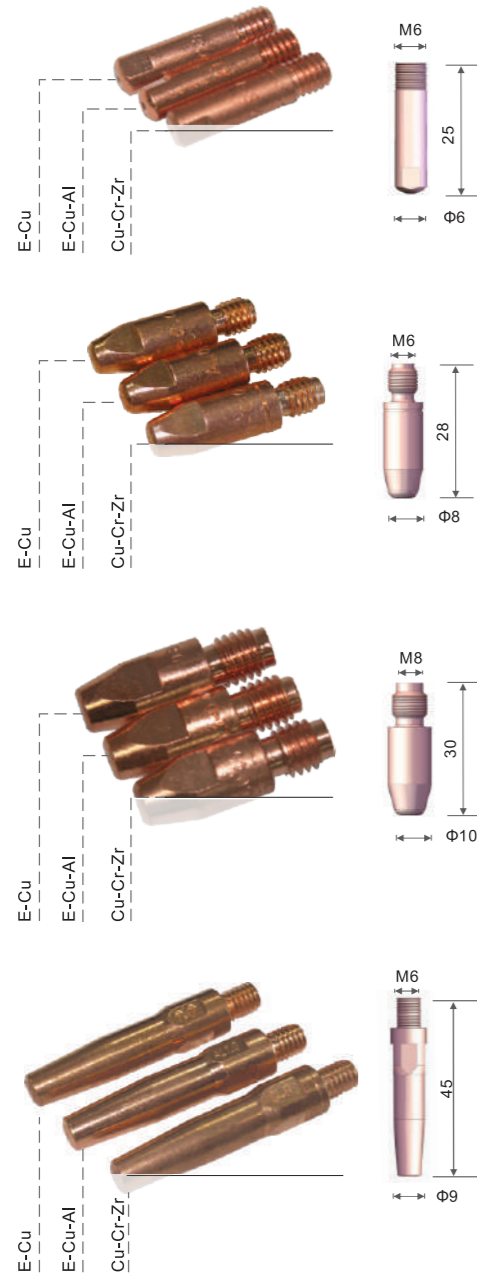
AL 4000/AW 5000



Position	Code	Ref.	Description
1	ICZ0969	34.0350.1822	Torch head AL4000 45°;AL4000 枪颈 45°
2	ICI0769	34.0350.1820	Torch head AW5000 45°;AW5000 枪颈 45°
3	IZH1231	42.0100.1018	Insulator Φ 14.1/ Φ 21x16(AL4000);绝缘环 Φ 14.1/ Φ 21x16(AL4000)
4	IZH1235	42.0100.1016	Insulator Φ 15/ Φ 21x10(AW5000);绝缘环 Φ 15/ Φ 21x10(AW5000)
5	ICF0003	42.0001.5122	Contact tip holder M10x1.25/SW13x32;导电嘴座 M10x1.25/SW13x32
6	ICU0807-16	92.01.104016	Contact tip;导电嘴
7	ICF0532	42.0001.1007	White ceramic gas diffuser;白色陶瓷分流器
8	IZF0045	42.0001.2970	Retaining sleeve (AL4000/AW5000); 喷嘴护套 (AL4000/AW5000)
9	ICS0896	42.0001.5128	Gas Nozzle Φ 17/ Φ 25x79.3;外喷嘴 Φ 17/ Φ 25x79.3
10	ICS0890	42.0001.5129	Gas Nozzle Φ 15/ Φ 25x79.3;外喷嘴 Φ 15/ Φ 25x79.3;
11	ICS0892	42.0001.5607	Gas Nozzle Φ 17/ Φ 25x74.5;外喷嘴 Φ 17/ Φ 25x74.5/短款
12	ICS0893	42.0001.5127	Gas Nozzle Φ 20/ Φ 25x79.3;外喷嘴 Φ 20/ Φ 25x79.3
13	ICS0894	42.0001.5130	Gas Nozzle Φ 17/ Φ 25x79.3;外喷嘴 Φ 17/ Φ 25x79.3/短款

Note: About the registered trade mark, reference number of the model of the machine and spare parts, please see inner cover (company introduction)
注:关于注册商标、机器及配件的参考编号的注解, 请见封面内页 (公司简介)

CONTACT TIPS 导电嘴



E-Cu			E-Cu-Al			Cu-Cr-Zr		
Code	Ref.	Wire	Code	Ref.	Wire	Code	Ref.	Wire
ICU0003-06	140.0008	Φ0.6	ICU0003-58	141.0002	Φ0.8	ICU0003-76	140.0855	Φ0.6
ICU0003-08	140.0059	Φ0.8	ICU0003-59		Φ0.9	ICU0003-78	140.0062	Φ0.8
ICU0003-09	140.0177	Φ0.9	ICU0003-60	141.0007	Φ1.0	ICU0003-80	140.0256	Φ1.0
ICU0003-10	140.0253	Φ1.0	ICU0003-62		Φ1.2	ICU0003-82		Φ1.2

E-Cu			E-Cu-Al			Cu-Cr-Zr		
Code	Ref.	Wire	Code	Ref.	Wire	Code	Ref.	Wire
ICU0004-06	140.0005	Φ0.6	ICU0004-58	141.0001	Φ0.8	ICU0004-78	140.0054	Φ0.8
ICU0004-08	140.0051	Φ0.8	ICU0004-59		Φ0.9	ICU0004-80	140.0245	Φ1.0
ICU0004-10	140.0242	Φ1.0	ICU0004-60	141.0006	Φ1.0	ICU0004-82	140.0382	Φ1.2
ICU0004-12	140.0379	Φ1.2	ICU0004-62	141.0010	Φ1.2			
ICU0004-16	140.0555	Φ1.6	ICU0004-66	141.0020	Φ1.6			

E-Cu			E-Cu-Al			Cu-Cr-Zr		
Code	Ref.	Wire	Code	Ref.	Wire	Code	Ref.	Wire
ICU0005-08	140.0114	Φ0.8	ICU0005-58	141.0003	Φ0.8	ICU0005-78	140.0117	Φ0.8
ICU0005-10	140.0313	Φ1.0	ICU0005-59		Φ0.9	ICU0005-80	140.0316	Φ1.0
ICU0005-12	140.0442	Φ1.2	ICU0005-60	141.0008	Φ1.0	ICU0005-82	140.0445	Φ1.2
ICU0005-16	140.0587	Φ1.6	ICU0005-62	141.0015	Φ1.2	ICU0005-84		Φ1.4
ICU0005-20	140.0653	Φ2.0	ICU0005-66	141.0022	Φ1.6	ICU0005-86	140.0590	Φ1.6
ICU0005-24	140.0677	Φ2.4	ICU0005-70		Φ2.0			
			ICU0005-74		Φ2.4			

E-Cu			E-Cu-Al			Cu-Cr-Zr		
Code	Ref.	Wire	Code	Ref.	Wire	Code	Ref.	Wire
ICU0746-08		Φ0.8	ICU0746-60		Φ1.0	ICU0746-78		Φ0.8
ICU0746-10		Φ1.0	ICU0746-62		Φ1.2	ICU0746-79		Φ0.9
ICU0746-12		Φ1.2	ICU0746-64		Φ1.4	ICU0746-80		Φ1.0
ICU0746-14		Φ1.4				ICU0746-82		Φ1.2
ICU0746-16		Φ1.6				ICU0746-84		Φ1.4
						ICU0746-86		Φ1.6
						ICU0746-100		Φ1.0AL
						ICU0746-102		Φ1.2AL



Note: About the registered trade mark, reference number of the model of the machine and spare parts, please see inner cover (company introduction)
注:关于注册商标、机器及配件的参考编号的注解, 请见封面内页(公司简介)

CONTACT TIPS 导电嘴



E-Cu		
Code	Ref.	Wire
ICU0762-06	11-23	Φ0.6
ICU0762-08	11-30	Φ0.8
ICU0762-09	11-35	Φ0.9
ICU0762-10	11-40	Φ1.0
ICU0762-12	11-45	Φ1.2

E-Cu		
Code	Ref.	Wire
ICU0763-08	11H-30	Φ0.8
ICU0763-09	11H-35	Φ0.9
ICU0763-10	11H-40	Φ1.0
ICU0763-12	11H-45	Φ1.2

E-Cu		
Code	Ref.	Wire
ICU0764-06	11T-23	Φ0.6
ICU0764-08	11T-30	Φ0.8
ICU0764-09	11T-35	Φ0.9
ICU0764-10	11T-40	Φ1.0
ICU0764-12	11T-45	Φ1.2

E-Cu		
Code	Ref.	Wire
ICU0008-06	14-23	Φ0.6
ICU0008-08	14-30	Φ0.8
ICU0008-09	14-35	Φ0.9
ICU0008-10	14-40	Φ1.0
ICU0008-12	14-45	Φ1.2
ICU0008-13	14-52	Φ1.3
ICU0008-16	14-116	Φ1.6
ICU0008-20	14-564	Φ2.0
ICU0008-62	14A-364	Φ1.2
ICU0008-66	14A-116	Φ1.6

E-Cu		
Code	Ref.	Wire
ICU0768-06	14T-23	Φ0.6
ICU0768-08	14T-30	Φ0.8
ICU0768-09	14T-35	Φ0.9
ICU0768-10	14T-40	Φ1.0
ICU0768-12	14T-45	Φ1.2
ICU0768-13	14T-52	Φ1.3
ICU0768-16	14T-116	Φ1.6



E-Cu		
Code	Ref.	Wire
ICU0009-09	14H-35	Φ0.9
ICU0009-10	14H-40	Φ1.0
ICU0009-12	14H-45	Φ1.2
ICU0009-13	14H-52	Φ1.3
ICU0009-16	14H-116	Φ1.6
ICU0009-20	14H-564	Φ2.0
ICU0009-62	14AH-364	Φ1.2
ICU0009-66	14AH-116	Φ1.6

E-Cu		
Code	Ref.	Wire
ICU0761-09	14HT-35	Φ0.9
ICU0761-10	14HT-40	Φ1.0
ICU0761-12	14HT-45	Φ1.2
ICU0761-13	14HT-52	Φ1.3
ICU0761-16	14HT-116	Φ1.6
ICU0761-20	14HT-564	Φ2.0

E-Cu		
Code	Ref.	Wire
ICU0060-09	15H35	Φ0.9
ICU0060-12	15H45	Φ1.2
ICU0060-14	15H52	Φ1.4
ICU0060-16	15H116	Φ1.6
ICU0060-20	15H564	Φ2.0
ICU0060-24	15H332	Φ2.4
ICU0060-28	15H764	Φ2.8

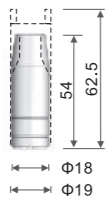
E-Cu		
Code	Ref.	Wire
ICU0061-09	15HFC35	Φ0.9
ICU0061-12	15HFC45	Φ1.2
ICU0061-13	15HFC52	Φ1.3
ICU0061-16	15HFC116	Φ1.6
ICU0061-20	15HFC564	Φ2.0
ICU0061-24	15HFC332	Φ2.4
ICU0061-28	15HFC764	Φ2.8
ICU0061-32	15HFC18	Φ3.2
ICU0061-62	15AHFC364	Φ1.2AL
ICU0061-66	15AHFC116	Φ1.6AL

Note: About the registered trade mark, reference number of the model of the machine and spare parts, please see inner cover (company introduction)
注:关于注册商标、机器及配件的参考编号的注解, 请见封面内页(公司简介)

NOZZLES 喷嘴



MIG 15



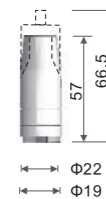
Code	Ref.	Description	Pack
ICS0062	145.0123	Gas nozzle Φ 9.5mm; 喷嘴 Φ 9.5mm/15AK	10
ICS0063	145.0075	Gas nozzle Φ 12mm; 喷嘴 Φ 12mm/15AK	10
ICS0064	145.0041	Gas nozzle Φ 16mm; 喷嘴 Φ 16mm/15AK	10
ICS0070	145.0183	Spot welding gas nozzle Φ 16mm; 点焊喷嘴 Φ 16mm/15AK	10
ICS0711	145.0143	Tapered gas nozzle Φ 13mm; 锥型喷嘴 Φ 13mm/15AK	10

MIG 24/240



Code	Ref.	Description	Pack
ICS0800	145.0047	Gas nozzle Φ 17mm; 喷嘴 Φ 17mm/24KD	10
ICS0806	145.0080	Gas nozzle Φ 12.5mm; 喷嘴 Φ 12.5mm/24KD	10
ICS0807	145.0128	Gas nozzle Φ 10mm; 喷嘴 Φ 10mm/24KD	10
ICS0808	145.0174	Spot welding gas nozzle; 点焊喷嘴/24AK	10

MIG 25



Code	Ref.	Description	Pack
ICS0077	145.0124	Gas nozzle Φ 11mm; 喷嘴 Φ 11mm/25AK	10
ICS0078	145.0076	Gas nozzle Φ 15mm; 喷嘴 Φ 15mm/25AK	10
ICS0079	145.0042	Gas nozzle Φ 18mm; 喷嘴 Φ 18mm/25AK	10
ICS0715	145.0153	Tapered gas nozzle Φ 11mm; 锥型喷嘴 Φ 11mm/25AK	10
ICS0712	145.0214	Tapered gas nozzle Φ 14mm; 锥型喷嘴 Φ 14mm/25AK	10
ICS0075	145.0169	Spot welding gas nozzle Φ 18mm; 点焊喷嘴 Φ 18mm/25AK	10

MIG 26/400/500



Code	Ref.	Description	Pack
ICS0713	145.0085	Gas nozzle Φ 16mm; 喷嘴 Φ 16mm/401D-501D	10
ICS0740	145.0132	Gas nozzle Φ 14mm; 喷嘴 Φ 14mm/401D-501D	10
ICS0746	145.0051	Gas nozzle Φ 19mm; 喷嘴 Φ 19mm/401D-501D	10
ICS0747	145.0148	Adjusted tapered nozzle Φ 15mm; 喷嘴 Φ 15mm/401D-501D	10
ICS0748	145.0179	Spot welding gas nozzle Φ 20mm; 点焊喷嘴 Φ 20mm/401D-501D	10

MIG 36



Code	Ref.	Description	Pack
ICS0071	145.0126	Gas nozzle Φ 12mm; 喷嘴 Φ 12mm/36KD	10
ICS0072	145.0078	Gas nozzle Φ 16mm; 喷嘴 Φ 16mm/36KD	10
ICS0073	145.0045	Gas nozzle Φ 19mm; 喷嘴 Φ 19mm/36KD	10
ICS0660	145.0172	Spot welding gas nozzle Φ 20mm; 点焊喷嘴 Φ 20mm/36KD	10

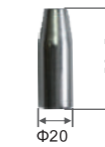
NOZZLES 喷嘴



MIG 40KD



Code	Ref.	Description	Pack
ICS0700	145.0079	Gas nozzle Φ 18mm 40KD; 喷嘴 Φ 18mm 40KD	10
ICS0701	145.0046	Gas nozzle Φ 21mm 40KD; 喷嘴 Φ 21mm 40KD	10
ICS0702	145.0127	Gas nozzle Φ 14mm 40KD; 喷嘴 Φ 14mm 40KD	10



Code	Ref.	Description	Pack
ICS0001	MC 0006	Gas nozzle Φ 14mm MAXI150; 喷嘴 Φ 14mm MAXI150	10
ICS0002	MC 0007	Spot Welding Gas Nozzle; 点焊喷嘴	10
ICS0005	MC 0005	Gas nozzle Φ 11mm MAXI150; 喷嘴 Φ 11mm MAXI150	10



Code	Ref.	Description	Pack
ICS0003	MC 0008	Gas nozzle Φ 11mm MAXI250; 喷嘴 Φ 11mm MAXI250	10
ICS0004	MC 0009	Gas nozzle Φ 14mm MAXI250; 喷嘴 Φ 14mm MAXI250	10
ICS0060	MC 0010	Gas Nozzle Φ 18mm; 喷嘴 Φ 18mm	10
ICS0673	MC 0128	Gas nozzle Φ 16mm MAXI250; 喷嘴 Φ 16mm MAXI250	10
ICS0674	MC 0129	Tapered Gas Nozzle Φ 14mm; 圆锥喷嘴 Φ 14mm	10



Code	Ref.	Description	Pack
ICS0066	MC 0011	Gas nozzle Φ 16mm MAXI350; 喷嘴 Φ 16mm MAXI350	10
ICS0067	MC 0012	Gas nozzle Φ 18mm MAXI350; 喷嘴 Φ 18mm MAXI350	10
ICS0068	MC 0013	Gas nozzle Φ 20mm MAXI350; 喷嘴 Φ 20mm MAXI350	10
ICS0743	MC 0298	Nozzle Φ 14mm ; 喷嘴 Φ 14mm	10

TW TYPE NOZZLES 美式喷嘴



Type	Image	Code	Ref.	Description
TW2-TW4		ICS0577	24AT-37SS	Gas nozzle 3/8" (Φ9.5mm); 喷嘴Φ9.5mm
		ICS0084	24CT-50S	Gas nozzle 1/2" (Φ12.7mm); 喷嘴Φ12.7mm
		ICS0090	24CT-62S	Gas nozzle 5/8" (Φ16mm); 喷嘴Φ16mm
		ICS0096	24CT-75S	Gas nozzle 3/4" (Φ19mm); 喷嘴Φ19mm
		ICS0792	24CT-37S	Gas nozzle 3/8" (Φ9.5mm); 喷嘴Φ9.5mm
		ICS0773	24CT-50F	Gas nozzle 1/2" (Φ12.7mm); 喷嘴Φ12.7mm
		ICS0774	24CT-62F	Gas nozzle 5/8" (Φ16mm); 喷嘴Φ16mm
		ICS0780	24CT-75F	Gas nozzle 3/4" (Φ19mm); 喷嘴Φ19mm
		ICS0786	24CT-62R	Gas nozzle 5/8" (Φ16mm); 喷嘴Φ16mm
		ICS0787	24CT-72R	Gas nozzle 3/4" (Φ19mm); 喷嘴Φ19mm
		ICS0575	24FN-75S	Gas nozzle 3/4" (Φ19mm); 喷嘴Φ19mm
		ICS0578	24FN-50S	Gas nozzle 1/2" (Φ12.7mm); 喷嘴Φ12.7mm
	ICS0579	24FN-62S	Gas nozzle 5/8" (Φ16mm); 喷嘴Φ16mm	
	ICS0571	24FN-62R	Gas nozzle 5/8" (Φ16mm)L=52.3mm; 喷嘴Φ16mm	
	ICS0572	24FN-62F	Gas nozzle 5/8" (Φ16mm)L=39mm; 喷嘴Φ16mm	

Type	Image	Code	Ref.	Description
TW5		ICS0730	25CT-50	Gas nozzle 1/2" (Φ12.7mm); 喷嘴
		ICS0736	25CT-75	Gas nozzle 3/4" (Φ19mm); 喷嘴
		ICS0737	25CT-62	Gas nozzle 5/8" (Φ16mm); 喷嘴



Type	Image	Code	Ref.	Description
TW2		ICK0680	32	Insulator 32; 绝缘筒 32
TW3-TW4		ICK0686	34A	Insulator 34A; 绝缘筒 34A
TW2-TW4		ICS0085	34CT	Insulator 34CT; 绝缘筒 34CT
		ICS0739	34FN	Insulator 34FN; 绝缘筒 34FN
TW5		ICS0738	35CT	Insulator 35CT; 绝缘筒 35CT

Note: About the registered trade mark, reference number of the model of the machine and spare parts, please see inner cover (company introduction)
注: 关于注册商标、机器及配件的参考编号的注解, 请见封面内页 (公司简介)

TW TYPE NOZZLES 美式喷嘴



Type	Image	Code	Ref.	Description
TW1		ICS0080	21-37	Gas Nozzle 3/8" Φ 9.5mm; 喷嘴Φ 9.5mm
		ICS0086	21-50	Gas Nozzle 1/2" Φ 12.5mm; 喷嘴Φ 12.5mm
		ICS0087	21-62	Gas Nozzle 5/8" Φ 16mm; 喷嘴Φ 16mm
		ICS0500	21T-37	Gas nozzle 3/8" Φ 9.5mm; 喷嘴Φ 9.5mm
		ICS0506	21T-37F	Gas nozzle 3/8" Φ 9.5mm; 喷嘴Φ 9.5mm
		ICS0507	21-37F	Gas nozzle 3/8" Φ 9.5mm; 喷嘴Φ 9.5mm
	ICS0971	21-50F	Gas nozzle 1/2" Φ 12.5mm; 喷嘴Φ 12.5mm	
	ICS0972	21-62F	Gas nozzle 5/8" Φ 16; 喷嘴Φ 16	

Type	Image	Code	Ref.	Description
TW2		ICS0785	22-62	Gas nozzle 5/8" Φ 16mm; 喷嘴Φ 16mm
		ICS0788	22-37	Gas nozzle 3/8" (Φ 9.5mm); 喷嘴Φ 9.5mm
		ICS0789	22-50	Gas nozzle 1/2" Φ 12.5mm; 喷嘴Φ 12.5mm
		ICS0509	22T-37SS	Gas nozzle 3/8" (Φ 9.5mm); 喷嘴Φ 9.5mm
		ICS0501	22-50SS	Gas nozzle 1/2" (Φ 12.5mm); 喷嘴Φ 12.5mm
		ICS0502	22-62SS	Gas nozzle 5/8" (Φ 16mm); 喷嘴Φ 16mm
	ICS0505	22-37SS	Gas nozzle 3/8" (Φ 9.5mm); 喷嘴Φ 9.5mm	

Type	Image	Code	Ref.	Description
TW2-TW4		ICS0097	23-37	Gas nozzle 3/8" Φ 9.5mm; 喷嘴Φ 9.5mm
		ICS0098	23-50	Gas nozzle 1/2" Φ 12.5mm; 喷嘴Φ 12.5mm
		ICS0099	23-62	Gas nozzle 5/8" Φ 16mm; 喷嘴Φ 16mm;
		ICS0698	23-75	Gas nozzle 3/4" Φ 19mm; 喷嘴 3/4" Φ 19mm
		ICS0797	23-37F	Gas nozzle; 喷嘴
		ICS0798	23-50F	Gas nozzle; 喷嘴
		ICS0799	23-62F	Gas nozzle; 喷嘴
		ICS0795	23-75F	Gas nozzle 3/4" (Φ 19mm); 喷嘴Φ 19mm
		ICS0503	23H-50	Gas nozzle 1/2" (Φ 12.5mm); 喷嘴Φ 12.5mm
		ICS0504	23H-62	Gas nozzle 5/8" (Φ 16mm); 喷嘴Φ 16mm
		ICS0560	23H-75	Gas nozzle 3/4" (Φ 19mm); 喷嘴Φ 19mm
		ICS0566	23T-37	Gas nozzle 3/8" (Φ 9.5mm); 喷嘴Φ 9.5mm
		ICS0567	23T-37F	Gas nozzle 3/8" (Φ 9.5mm); 喷嘴Φ 9.5mm
		ICS0695	24A-50	Gas nozzle 1/2" Φ 12.5mm; 喷嘴Φ 12.5mm
		ICS0691	24A-62	Gas nozzle 5/8" Φ 16mm; 喷嘴Φ 16mm
		ICS0692	24A-75	Gas nozzle 3/4" Φ 19mm; 喷嘴Φ 19mm
		ICS0568	24A-37SS	Gas nozzle 3/8" (Φ 9.5mm); 喷嘴Φ 9.5mm
		ICS0569	24A-50SS	Gas nozzle 1/2" (Φ 12.5mm); 喷嘴Φ 12.5mm
	ICS0565	24A-62SS	Gas nozzle 5/8" (Φ 16mm); 喷嘴Φ 16mm	
	ICS0561	24A-75SS	Gas nozzle 3/4" (Φ 19mm); 喷嘴Φ 19mm	
	ICS0562	24AH-50	Gas nozzle 1/2" (Φ 12.5mm); 喷嘴Φ 12.5mm	
	ICS0563	24AH-62	Gas nozzle 5/8" (Φ 16mm); 喷嘴Φ 16mm	
	ICS0564	24AH-75	Gas nozzle 3/4" (Φ 19mm); 喷嘴Φ 19mm	
	ICS0570	24AH-62SS	Gas nozzle 5/8" (Φ 16mm); 喷嘴Φ 16mm	
	ICS0576	24AH-72SS	Gas nozzle 3/4" (Φ 19mm); 喷嘴Φ 19mm	

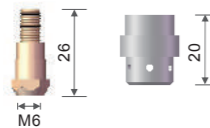
Note: About the registered trade mark, reference number of the model of the machine and spare parts, please see inner cover (company introduction)
注: 关于注册商标、机器及配件的参考编号的注解, 请见封面内页 (公司简介)

DIFFUSERS AND TIP HOLDERS

分流器及导电嘴座

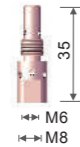


MIG 24/240



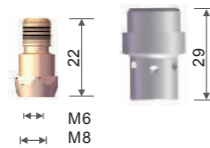
Code	Ref.	Description
ICF0039	012.0183	White plastic gas diffuser; 白色塑料分流器/24KD
ICF0539		White ceramic gas diffuser; 白色陶瓷分流器/24KD
ICU0683	142.0003	Contact tip holder; 导电嘴座/M6x26mm/24KD
ICU0684		Contact tip holder; 导电嘴座/M6x28mm/24KD
ICF0839		Red silicon gas diffuser; 红色硅胶分流器/24KD

MIG 25



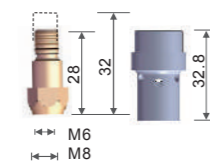
Code	Ref.	Description
ICF0061	142.0001	Gas diffuser M6x35mm; 分流器 M6x35mm/25AK
ICF0090		Gas diffuser M8x35mm; 分流器 M8x35mm/25AK

MIG 26



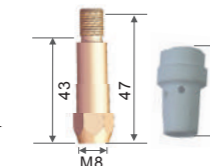
Code	Ref.	Description
ICU0016	142.0007	Contact tip holder M6x22mm; 导电嘴座M6x22mm/26KD
ICU0017	142.0082	Contact tip holder M8x22mm; 导电嘴座M8x22mm/26KD
ICF0035	018.0116	White plastic gas diffuser; 白色塑料分流器/26KD
ICF0535	018.0141	White ceramic gas diffuser; 白色陶瓷分流器/26KD
ICF0935		Black plastic gas diffuser; 黑色塑料分流器/26KD

MIG 36



Code	Ref.	Description
ICF0062	014.0261	White plastic gas diffuser; 白色塑料分流器/36KD
ICF0096	014.0026	Black plastic gas diffuser; 黑色塑料分流器/36KD
ICF0562	014.0023	White ceramic gas diffuser; 白色陶瓷分流器/36KD
ICU0018	142.0005	Contact tip holder M6x28mm; 导电嘴座M6x28mm/36KD
ICU0019	142.0020	Contact tip holder M8x28mm; 导电嘴座M8x28mm/36KD
ICU0686	142.0011	Contact tip holder M6x32mm; 导电嘴座M6x32mm/36KD
ICU0687		Contact tip holder M8x32mm; 导电嘴座M8x32mm/36KD

MIG 40KD



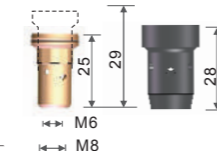
Code	Ref.	Description
ICU0026	145.0021	Contact tip holder 40KD/M8/43mm; 导电嘴座/40KD/M8/43mm
ICU0027	145.0025	Contact tip holder 40KD/M8/47mm; 导电嘴座/40KD/M8/47mm
ICF0097	015.0021	White plastic gas diffuser 40KD; 白色塑料分流器 40KD
ICF0531	015.0023	White ceramic gas diffuser 40KD; 白色陶瓷分流器 40KD

DIFFUSERS AND TIP HOLDERS

分流器及导电嘴座



MIG 400/500



Code	Ref.	Description
ICF0021	142.0022	Contact tip holder M8x25mm; 导电嘴座M8x25mm/401D-501D
ICF0024	030.0145	White plastic gas diffuser; 白色塑料分流器/401D-501D
ICF0029	030.0037	Black plastic gas diffuser; 黑色塑料分流器/401D-501D
ICF0036	142.0008	Contact tip holder M6x25mm; 导电嘴座M6x25mm/401D-501D
ICF0037	142.0013	Contact tip holder M6x29mm; 导电嘴座M6x29mm/401D-501D
ICF0038	142.0027	Contact tip holder M8x29mm; 导电嘴座M8x29mm/401D-501D
ICF0524	030.0190	White ceramic gas diffuser; 白色陶瓷分流器/401D-501D
ICF0840		Contact tip holder M8x25mm/COPPER; 导电嘴座M8x25mm/紫铜/401D-501D
ICF0846		Contact tip holder M8x29mm/COPPER; 导电嘴座M8x29mm/紫铜/401D-501D



Type	Image	Code	Ref.	Description
TW1		ICF0063	51	Diffuser ; 分流器
TW2		ICF0077	52	Diffuser ; 分流器; (used with 32 insulator; 用于32绝缘体)
		ICF0073	52-23	Diffuser ; 分流器 (used with 23series nozzles or 34A; 用于23系列或34A系列的喷嘴)
		ICF0064	52FN	Diffuser ; 分流器
TW3-TW4		ICF0070	54A	Diffuser ; 分流器
TW5		ICF0076	55	Diffuser ; 分流器
		ICF0071	55SW	Diffuser ; 分流器
		ICF0072	55H	Diffuser ; 分流器

LINERS 送丝管



EURO-TYPE / STEEL 欧式钢送丝管

Blue Φ 0.6-0.8mm
蓝色钢送丝管

Insulation steel liner Blue Φ 1.4x4.0x4.6mm

L	Code	Ref.	Pack
3.4m	IIC0500	124.0011	1
4.4m	IIC0506	124.0012	1
5.4m	IIC0507	124.0015	1
500m	IIC0065		1

Yellow Φ 1.2-1.6mm (flat)
黄色扁平钢送丝管

Insulation steel liner Yellow Φ 2.4x4.2x4.7mm

L	Code	Ref.	Pack
3.4m	IIC0590	124.0041	1
4.4m	IIC0596	124.0042	1
5.4m	IIC0597	124.0044	1
500m	IIC0017		1

Φ 0.8-1.0mm
无绝缘层钢送丝管

Steel liner Φ 1.4x4.5mm

L	Code	Ref.	Pack
3.5m	IIC0577	122.0005	1
4.5m	IIC0578	122.0007	1
5.5m	IIC0579	122.0009	1
500m	IIC0025		1

Φ 1.2-1.6mm
无绝缘层钢送丝管

Steel liner Φ 2.5x4.5mm

L	Code	Ref.	Pack
3.5m	IIC0580	122.0056	1
4.5m	IIC0586	122.0060	1
5.5m	IIC0587	122.0073	1
500m	IIC0016		1

EURO-TYPE / TEFLON 欧式特氟龙送丝管

Blue Φ 0.6-0.9mm
蓝色特氟龙送丝管

Teflon liner Φ 1.5x4mm

L	Code	Ref.	Pack
3.5m	IIC0100	126.0005	1
4.5m	IIC0106	126.0008	1
5.5m	IIC0107	126.0011	1
200m	IIC0070		1

Red Φ 1.0-1.2mm
红色钢送丝管

Insulation steel liner Red Φ 2x4.0x4.6mm

L	Code	Ref.	Pack
3.4m	IIC0560	124.0026	1
4.4m	IIC0566	124.0031	1
5.4m	IIC0567	124.0035	1
500m	IIC0018		1

Yellow Φ 1.2-1.6mm (rounded)
黄色钢送丝管

Insulation steel liner Yellow Φ 2.5x4.5x4.7mm

L	Code	Ref.	Pack
3.4m	IIC0550		1
4.4m	IIC0556		1
5.4m	IIC0557		1
500m	IIC0012		1

Φ 1.0-1.2mm
无绝缘层钢送丝管

Steel liner Φ 2.0x4.5mm

L	Code	Ref.	Pack
3.5m	IIC0571	122.0031	1
4.5m	IIC0572	122.0036	1
5.5m	IIC0573	122.0039	1
500m	IIC0019		1

Red Φ 1.0-1.2mm
红色特氟龙送丝管

Teflon liner Φ 2x4mm

L	Code	Ref.	Pack
3.5m	IIC0160	126.0021	1
4.5m	IIC0166	126.0026	1
5.5m	IIC0167	126.0028	1
200m	IIC0064		1



EURO-TYPE / TEFLON 欧式特氟龙送丝管

Yellow Φ 1.2-1.6mm
黄色特氟龙送丝管

Teflon liner Φ 3.0 x 4.5mm

L	Code	Ref.	Pack
3.5m	IIC0210	126.0039	1
4.5m	IIC0216	126.0042	1
5.5m	IIC0217	126.0045	1
200m	IIC0077		1

Blue Φ 0.6-0.9mm
蓝色特氟龙+铜送丝管

Teflon liner Φ 4.0x1.5mm+terminator

L	Code	Ref.	Pack
3.5m	IIC0260		1
4.5m	IIC0266		1
5.5m	IIC0267		1

Red Φ 1.0-1.2mm
红色特氟龙+铜送丝管

Teflon liner Φ 2.0 x 4.0mm+terminator

L	Code	Ref.	Pack
3.5m	IIC0265		1
4.5m	IIC0261		1
5.5m	IIC0262		1

Yellow Φ 1.2-1.6mm
黄色特氟龙+铜送丝管

Teflon liner Φ 3.0 x 4.5mm+terminator

L	Code	Ref.	Pack
3.5m	IIC0280		1
4.5m	IIC0286		1
5.5m	IIC0287		1

EURO-TYPE / GRAPHITE 欧式石墨尼龙送丝管

Φ 1.0-1.2mm
石墨尼龙送丝管+铜送丝管

Graphite liners Φ 4.0x2.0mm+Terminator

L	Code	Ref.	Pack
3.5m	IIC0275		1
4.5m	IIC0271		1
5.5m	IIC0272		1
200m	IIC0088		1

Φ 1.2-1.6mm
石墨尼龙送丝管+铜送丝管

Graphite liners Φ 4.5x2.7mm+Terminator

L	Code	Ref.	Pack
3.5m	IIC0291		1
4.5m	IIC0292		1
5.5m	IIC0293		1
200m	IIC0089		1

Φ 1.2-1.6mm
石墨尼龙送丝管

Graphite liners Φ 4.7x2.7mm

L	Code	Ref.	Pack
200m	IIC0059		1

SUITABLE FOR PAN

PAN-TYPE 日式送丝管

Black Φ 0.8-1.0mm
黑色钢送丝管

Insulation steel liner Φ 1.8x4.2x5.0mm

L	Code	Ref.	Pack
3.1m	IIC0551		1
4.1m	IIC0552		1
5.1m	IIC0553		1
500m	IIC0010		1

Green Φ 1.0-1.2mm
绿色钢送丝管

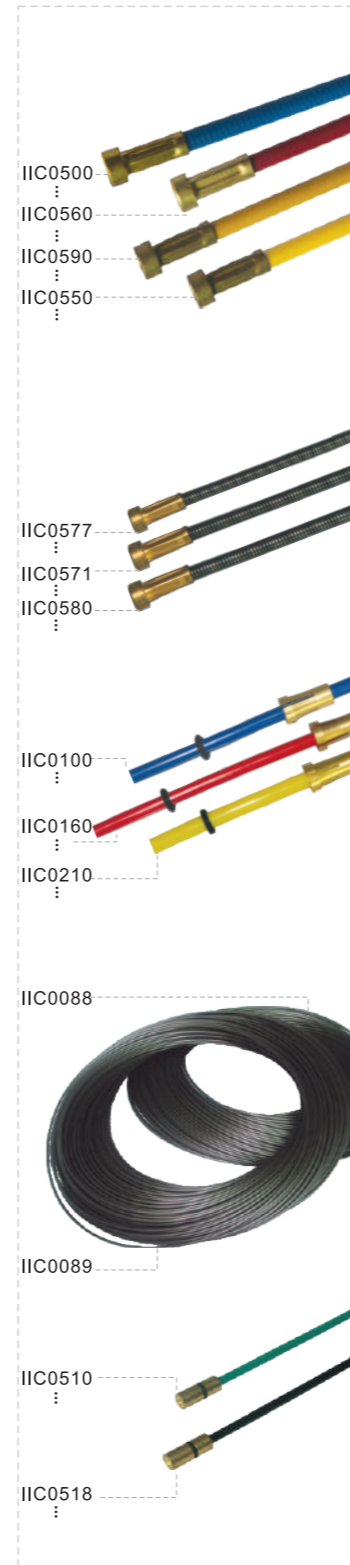
Insulation steel liner Φ 1.8x4.6x5.2mm

L	Code	Ref.	Pack
3.5m	IIC0510		1
4.5m	IIC0516		1
5.5m	IIC0517		1
500m	IIC0051		1

Black Φ 1.2-1.6mm
黑色钢送丝管

Insulation steel liner Φ 2x5x5.6mm

L	Code	Ref.	Pack
3.5m	IIC0518		1
4.5m	IIC0519		1
5.5m	IIC0515		1
500m	IIC0061		1



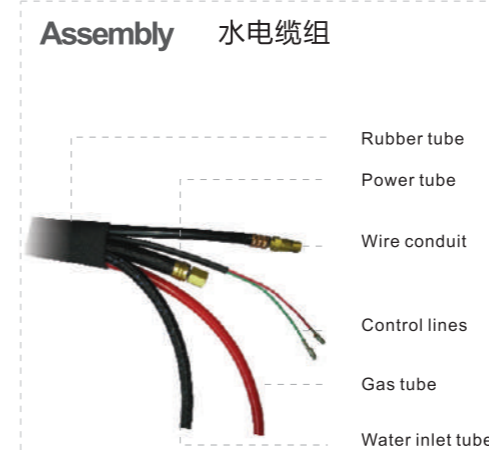
LINERS 送丝管



Amp	L(in/m)	Code	Ref.	Wire	Pack
160A	15"(4.6m)	IIC0743	23-40-15	0.23"(0.6)	1
	15"(4.6m)	IIC0744	35-40-15	0.030"-0.035"(0.8-0.9)	1
	15"(4.6m)	IIC0004	45-40-15	0.040"-0.045"(1.0-1.2)	1
180-250A	15"(4.6m)	IIC0800	42-23-15	0.23"(0.6)	1
	11"(3.4m)	IIC0066-03		0.030"-0.035"(0.8-0.9)	1
	15"(4.6m)	IIC0066	42-3035-15	0.030"-0.035"(0.8-0.9)	1
300-450A	11"(3.4m)	IIC0067-03		0.035"-0.045"(0.9-1.2)	1
	15"(4.6m)	IIC0771	44-3545-15	0.035"-0.045"(0.9-1.2)	1
	11"(3.4m)	IIC0068-03		0.052"-1/16"(1.3-1.6)	1
	15"(4.6m)	IIC0068	44-116-15	0.052"-1/16"(1.3-1.6)	1
	11"(3.4m)	IIC0776-03		5/64"(2.0)	1
	15"(4.6m)	IIC0776	44-564-15	5/64"(2.0)	1
500-650A	15"(4.6m)	IIC0866	44-332-15	3/32"(2.4)	1
	15"(4.6m)	IIC0071	45-3545-15	0.035"-0.045"(0.9-1.2)	1
	15"(4.6m)	IIC0072	45-116-15	0.052"-1/16"(1.3-1.6)	1
	15"(4.6m)	IIC0073	45-564-15	5/64"(2.0)	1
	15"(4.6m)	IIC0086	45-332-15	3/32"(2.4)	1

Amp	L(in/m)	Code	Ref.	Wire	Pack
160A	10"(3m)	IIC0980	35TF-40-10	0.030"-0.035"(0.8-0.9)	1
	10"(3m)	IIC0986	35TF-40-10	0.040"-3/64"(1.0-1.2)	1
180-250A	15"(4.6m)	IIC0987	42N-3545-15	0.036"-3/64"(0.8-1.2)	1
	15"(4.6m)	IIC0988	44N-3545-15	0.036"-3/64"(0.8-1.2)	1
300-450A	15"(4.6m)	IIC0989	44N-116-15	1/16"(1.6)	1
	15"(4.6m)	IIC0256	45N-116-15	0.030"-3/64"(0.8-1.2)	1
	15"(4.6m)	IIC0989	45N-116-15	1/16"(1.6)	1

COMPLETE CABLES 电缆组



EURO TYPE 欧式

15AK

L	Code	Ref.	Pack
3m	ICN0663		1
4m	ICN0676		1
5m	ICN0677		1

26KD

L	Code	Ref.	Pack
3m	ICN0696		1
4m	ICN0697		1
5m	ICN0699		1

40KD

L	Code	Ref.	Pack
3m	ICN0619		1
4m	ICN0615		1
5m	ICN0611		1

PAN TYPE 日式

PAN180

L	Code	Ref.	Pack
3m	ICN0110		1
4m	ICN0116		1
5m	ICN0117		1

24-25KD

L	Code	Ref.	Pack
3m	ICN0664		1
4m	ICN0679		1
5m	ICN0675		1

36KD

L	Code	Ref.	Pack
3m	ICN0670		1
4m	ICN0672		1
5m	ICN0673		1

PAN350

L	Code	Ref.	Pack
3m	ICN0188		1
4m	ICN0189		1
5m	ICN0185		1

EURO TYPE 欧式

Water cooled cable 240I400I500

PAN500

L	Code	Ref.	Pack
3m	ICN0180		1
4m	ICN0186		1
5m	ICN0187		1

L	Code	Ref.	Pack
3m	ICD0067		1
4m	ICD0068		1
5m	ICD0069		1

Power cable 水电缆

L	Code	Ref.	Pack
3m	IKT0064		1
4m	IKT0070		1
5m	IKT0076		1

Gas tube 气管

L	Code	Ref.	Pack
3m	IKH0030		1
4m	IKH0036		1
5m	IKH0037		1

Wire conduit 送丝管

L	Code	Ref.	Pack
3m	IKH0027		1
4m	IKH0028		1
5m	IKH0029		1

Control wire 控制线

L	Code	Ref.	Pack
3m	IHQ0690-03		1
4m	IHQ0690-04		1
5m	IHQ0690-05		1

Water inlet tube 进水管

L	Code	Ref.	Pack
3m	IKH0021		1
4m	IKH0022		1
5m	IKH0023		1

Rubber tube 橡胶外管

L	Code	Ref.	Pack
3m	ICK0705		1
4m	ICK0701		1
5m	ICK0702		1

CENTRAL ADAPTORS 中央插头插座



Code	Ref.	Description
ITC1000	ITB0055	Euro central adaptor body/spring pins/with Nut; 欧式中央接头/弹性针/带螺母
	ITB0058	Water euro central adaptor body/spring pins/with Nut; 欧式水冷中央接头/弹性针/带螺母
	ITB0600	Euro central adaptor/water/tynos/spring pin; 欧式中央接头/水冷/tynos/弹性针
	501.0168	Euro central adaptor femaler/machine side-axial; 欧式中央插座/轴向
	ITC1006	Euro central adaptor femaler radial; 欧式中央插座/纵向
ITC1006	ITB0058	Mini euro central adaptor fdmale-axial; 迷你欧式中央插座/轴向
	ITC1007	Mini euro central adaptor fdmale-axial; 迷你欧式中央插座/轴向
	ITC4006	Current clamp 16mm; 电缆压块 16mm
	ITG0006	Central adaptor female machine side; 欧式中央插座/机器端
	ITG0009	Mini central adaptor female machine side; 迷你欧式中央插座/机器端
	ITG6000	Euro central adaptor female machine side; 迷你欧式中央插座/机器端
	ITG6005	Euro central adaptor female machine side; 迷你欧式中央插座/机器端
	ITG6009	Mini euro central adaptor female machine side; 迷你欧式中央插座/机器端
ITG6000	IHJ0063	Gun plug nut/plastic nut; 焊枪锁紧螺母/塑料螺纹
	501.0616	Plastic housing; 塑料法兰
	IHJ0070	Gun plug nut; 焊枪锁紧螺母
	500.0213	Gun plug nut BZ type; 焊枪锁紧螺母/BINZEL式
	IHJ0072	Gun plug nut new blue; 焊枪锁紧螺母(新)/蓝色
	IHJ0073	Gun plug nut new red; 焊枪锁紧螺母(新)/红色
	IHJ0074	Gun plug nut new orange; 焊枪锁紧螺母(新)/橙色
	IHJ0078	Gun plug nut/BZ type/brass screw; 焊枪锁紧螺母/BINZEL式铜螺母
ITG6005	IHJ0070	Back box hole; 后把套
	IHJ0703	Back box hole; 后把套
	IHJ0763	Back box hole/water; 后把套/水冷
	IHJ0780	Plastic housing/MINI; 塑料法兰/迷你
	IHJ0772	Back box hole/water; 后把套/水冷
ITG6009	IHJ0071	Spring pin with wire and insulator for air cooling; 气冷接头用弹性针
	IHQ0200	Spring pin with wire and insulator for water cooling; 水冷接头用弹性针
	IHQ0207	Spring pin with wire and insulator for water cooling; 水冷接头用弹性针
	IHQ0778	Control wire with pin/0.5mm ² /800mm; AMP控制线/0.5mm ² /800mm
	IKH0070	Blue wired hose Φ 5x8mm; 增强网纹管 Φ 5x8mm/蓝色
	IKH0075	Red wired hose Φ 5x8mm; 增强网纹管 Φ 5x8mm/红色
	IKH0062	Black wired hose Φ 5x8mm; 增强网纹管 Φ 5x8mm/黑色
	IKH0087	PU tube Φ 6x8mm/high temperture; PU管 Φ 6x8mm/耐高温
ITG0006	IHJ0078	Clamp Φ 7.0mm; 卡箍 Φ 7.0mm
	IHJ0072	Clamp Φ 8.7mm; 卡箍 Φ 8.7mm
	:	Clamp Φ 10.5mm; 卡箍 Φ 10.5mm
	:	Clamp Φ 9.5mm; 卡箍 Φ 9.5mm
ITG0009	IHJ0645	
	IHJ0069	
	IHJ0703	
	IHJ0780	
	IHJ0763	
	IHJ0772	
ITC4006	IHJ0772	
	IHQ0200	
	IHQ0207	
	IHQ0778	
	IKH0070	
	IKH0075	
	more clamps at request 提供多种尺寸卡箍	
	IFT0735	
	IFT0737	
	IFT0734	
	IFT0723	